



VALVE PRODUCT SERIES

10,000m²

Company Profile And Culture

FINIO , INC. a professional enterprise engaged in the research, production, and sales of valves, sanitary ware, water meters, pipes, fittings, bathroom accessories, kitchen and bathroom hardware, etc.

The head office has multiple factories, branches and offices, covering a total area of 150 mu ,with a standardized workshop area of 100000 square meters, and currently employs more than 700 people.

The company advocates people-oriented, pragmatic, innovative, professional, and enterprising philosophy, focusing on the intelligent bathroom field, relying on high-quality research and development teams, high-end research and development laboratories, and focusing on product differentiation research and development, The company has successively passed ISO9001,CE,CQC and other product and enterprise management certifications, adhering to the spirit of diligence and dedication.and striving to create a first-class intelligent bathroom brand in China



NINGBO FINIO SANITARY WARE CO.,LTD

ADD:NO.218-26 WANGSHAN ROAD,JINGBEI DIST,NINGBO,CHINA 315000

TEL:+86-574-87151980 FAX:+86-574-87151980

EMAIL:info@finio.cn WEB:www.finio.cn



可靠的质量保证 Reliable quality assurance

Finio has imported advanced material physical and chemical analysis equipment from Europe and the United States since 2001. It has purchased internationally-esteemed testing machines used for valves, faucets, hoses, durability, fluidity, tempt, tension and burst, metallographic analyzers, 58 sets of complete mechanical & physical testing equipment or checking assembly line, and 26 units of standard machines.

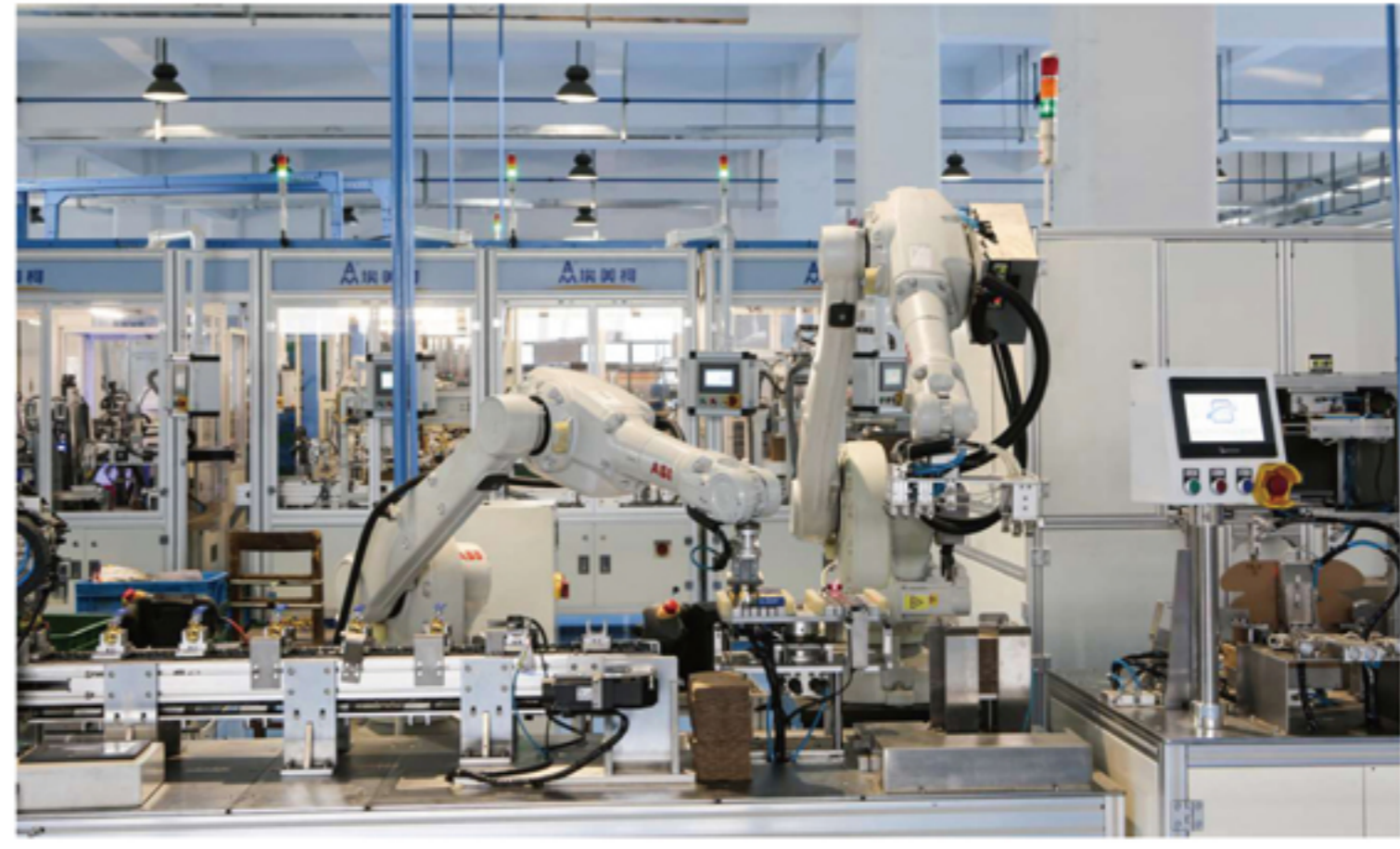
As early as the year of 1994, FINIO had acquired the ISO 9000 serial Certification for Quality Management System and strictly compiled the whole set of process control procedure documents in the process of material procurement, designing, manufacturing, performance testing, and packaging etc. In 2001, the Group not only obtained the ISO 9001 Certification for Quality Management System and the ISO 14001 Certification for Environmental Management System, but also acquired the Australian AS/NZS 3688, AS/NZS 3718, AS 5830.1, and EU's CE Quality Certification with 100% qualification ratio of ex-work products and 100% qualification ratio of export commodity inspection. In 2012, FINIO was acclaimed as the first batch of Demonstration Enterprise for Exports' Safety and Quality by Entry-exit Inspection & Quarantine Bureau of Ningbo City. In October 2010, FINIO's testing center was praised and accredited by China National Accreditation Service for Conformity Assessment, which is affirmation for FINIO's testing capability.



The first class equipments 一流的生产设备

"A handy tool makes a handy man", as it says, the integration management of Industrialization & Informatization, and Intellectualization Equipment can guarantee modern production requirements. Recently, FINIO strived to undertake the technology upgrading, including equipment investment and intelligent unmanned workshops, which preliminarily paved the way for large-scale Intellectualization.

In order to enlarge production, form industrial chains, and promote FINIO, the Modern Industrial Town was inaugurated in 2006. Meanwhile, we had invested a large sum of money in technical upgrading, which replaced old manufacturing equipments and changed into new production models. All these efforts facilitated industrial upgrading and restructuring in order to enhance our competitiveness.

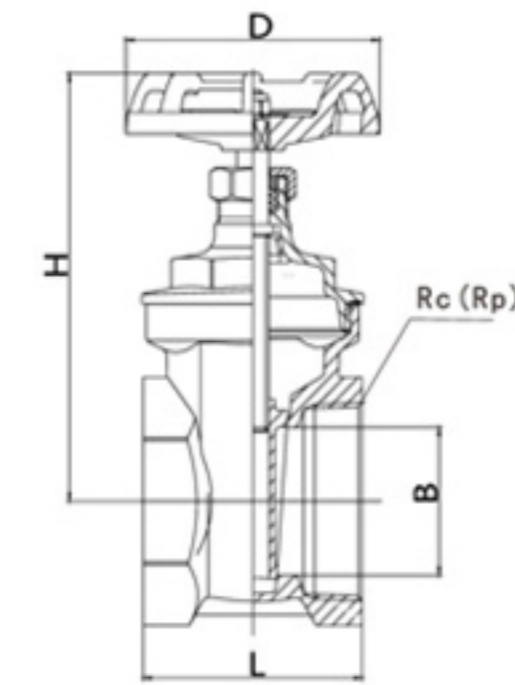




101 黄铜闸阀 BRASS GATE VALVE

Z15W-16T

www.finio.cn



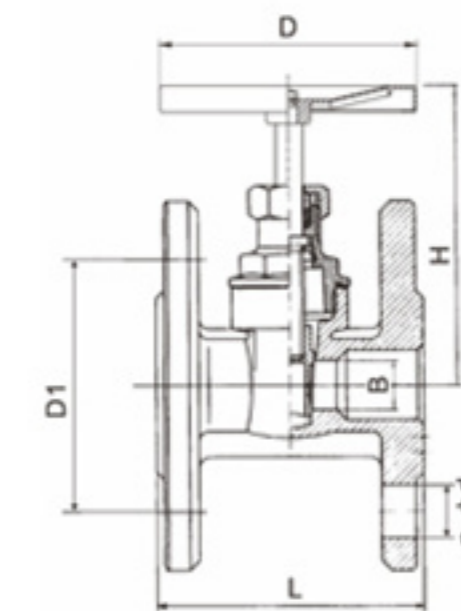
技术规范:
 ■ 1. 公称压力: 1.6MPa
 ■ 2. 工作介质: 水、非腐蚀性液体、饱和蒸汽
 ■ 3. 工作温度: $-20^{\circ}\text{C} \leq t \leq 170^{\circ}\text{C}$
 ■ 4. 管螺纹符合ISO 7标准 (GB/T7306. 2), DN65-DN100螺纹为Rp

Technical specification
 ■ 1. Nominal pressure: 1.6MPa
 ■ 2. Working Medium: Water, Non-corrosive liquid, Saturated steam
 ■ 3. Working Temperature: $-20^{\circ}\text{C} \leq t \leq 170^{\circ}\text{C}$
 ■ 4. Pipe thread conform to ISO 7 (GB/T7306. 2), DN65-DN100 thread is Rp

DN	SIZE	L	B	H	D
8	1/4	40	10	61.5	45
10	3/8	42	10	61.5	45
15	1/2	45	12.8	71	55
20	3/4	49.5	17	75.5	55
25	1	55	21	83	60
32	1 1/4	59.5	27	98	72
40	1 1/2	63	34	109	72
50	2	69	45	130	80
65	2 1/2	88	56	163.5	100
80	3	95	68	180	110
100	4	114	90	235	130

106 黄铜法兰闸阀 BRASS FLANGED GATE VALVE

Z45W-16T



技术规范:
 ■ 1. 公称压力: 1.6MPa
 ■ 2. 工作介质: 水、非腐蚀性液体、饱和蒸汽
 ■ 3. 工作温度: $-20^{\circ}\text{C} \leq t \leq 170^{\circ}\text{C}$
 ■ 4. 法兰安装连接尺寸符合GB/T15530.1-2008

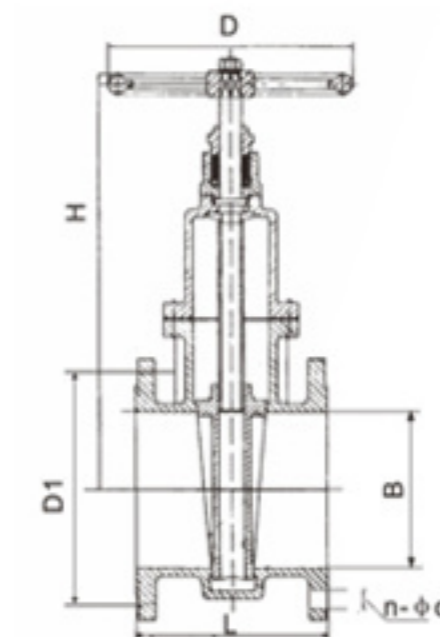
Technical specification
 ■ 1. Nominal pressure: 1.6MPa
 ■ 2. Working medium: Water, Non-corrosive liquid, Saturated steam
 ■ 3. Working temperature: $-20^{\circ}\text{C} \leq t \leq 170^{\circ}\text{C}$
 ■ 4. Flanged standard conform to GB/T 15530. 1-2008

注: DN50~DN100阀杆采用不锈钢材料
 NOTE: Stem(DN50~DN100)material: S.S

DN	SIZE	L	D1	H	D	B	n-d
15	1/2	80	65	80.5	60	15	
20	3/4	90	75	87.5	60	19	4-φ14
25	1	100	85	95	60	25	
32	1 1/4	110	100	120	72	32	
40	1 1/2	120	110	137	72	38	4-φ18
50	2	120	125	126	120	45	
65	2 1/2	140	145	158	140	56	
80	3	160	160	198	180	65	8-φ18
100	4	180	180	230	200	90	

106 黄铜法兰闸阀 BRASS FLANGED GATE VALVE

Z45W-16T (DN125~200)
 Z45W-10T (DN250~350)



技术规范:
 ■ 1. 公称压力: 1.6MPa/1.0MPa
 ■ 2. 工作介质: 水、非腐蚀性液体
 ■ 3. 工作温度: $-20^{\circ}\text{C} \leq t \leq 110^{\circ}\text{C}$
 ■ 4. 法兰安装连接尺寸符合GB/T15530.1-2008

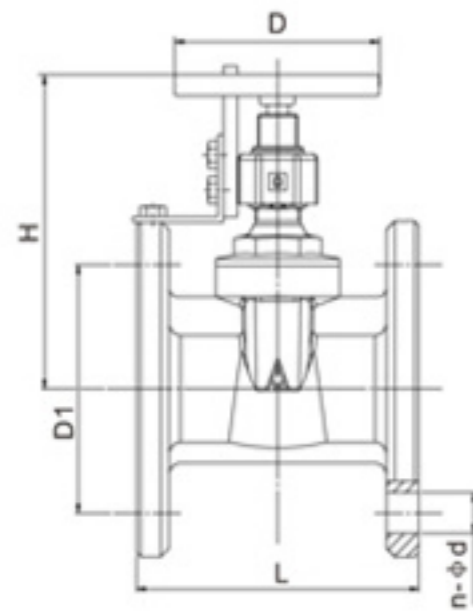
Technical specification
 ■ 1. Nominal pressure: 1.6MPa/1.0MPa
 ■ 2. Working medium: Water, Non-corrosive liquid.
 ■ 3. Working temperature: $-20^{\circ}\text{C} \leq t \leq 110^{\circ}\text{C}$
 ■ 4. Flanged standard conform to GB/T 15530. 1-2008

注: DN250~350公称压力为1.0MPa; 阀杆采用不锈钢材料
 Note: The nominal pressure of DN250~350 is 1.0MPa; the valve stem is made of stainless steel

DN	SIZE	L	D1	H	D	B	n-d
125	5	175	210	375	218	125	8-φ18
150	6	200	240	420	248	150	8-φ22
200	8	245	295	530	317	200	12-φ22
250	10	325	350	709	450	250	12-φ22
300	12	346	400	812	500	300	12-φ22
350	14	367	460	922	560	350	16-φ22

107BF 黄铜变压器专用闸阀 BRASS TRANSFORMER GATE VALVE

Z45W-16T



技术规范:

- 1. 公称压力: 1.6MPa
- 2. 工作介质: 变压器油
- 3. 工作温度: $-20^{\circ}\text{C} \leq t \leq 100^{\circ}\text{C}$
- 4. 法兰安装连接尺寸符合 GB/T15530.1-2008

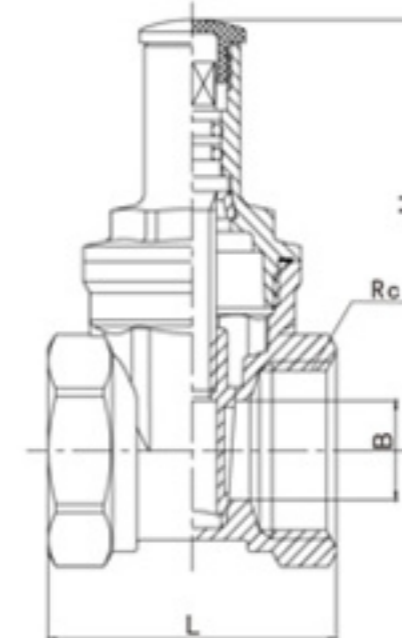
Technical specification

- 1. Nominal pressure: 1.6MPa
- 2. Working medium: Oil of transformer
- 3. Working temperature: $-20^{\circ}\text{C} \leq t \leq 100^{\circ}\text{C}$
- 4. Flanged standard conform to GB/T 15530.1-2008

Part No.	DN	L	D1	H	D	n-d
107BF	25	95	85	115	60	4-14
	40	115	110	151	72	4-18
	50	115	125	165	120	4-18
	80	155	160	217	180	8-18

115/166 黄铜带锁闸阀 BRASS GATE VALVE WITH LOCK

Z15W-16T



技术规范:

- 1. 公称压力: 1.6MPa
- 2. 工作介质: 水, 非腐蚀性液体
- 3. 工作温度: $-20^{\circ}\text{C} \leq t \leq 110^{\circ}\text{C}$
- 4. 管螺纹符合 ISO 7 标准 (GB/T7306.2)

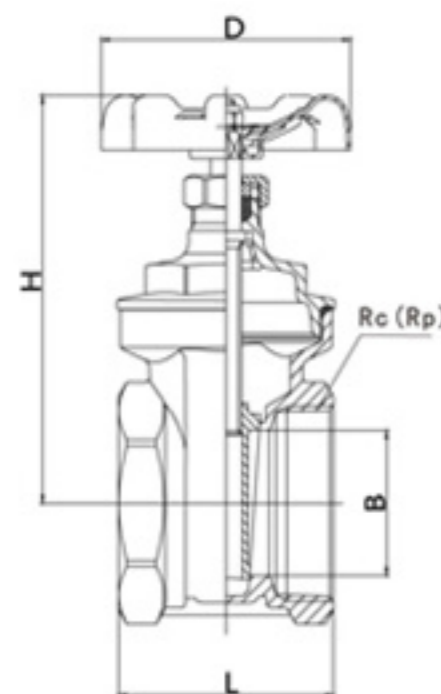
Technical specification

- 1. Nominal pressure: 1.6MPa
- 2. Working medium: Water, Non-corrosive liquid.
- 3. Working temperature: $-20^{\circ}\text{C} \leq t \leq 110^{\circ}\text{C}$
- 4. Pipe thread conform to ISO 7 (GB/T7306.2)

Part No.	DN	SIZE	L	H	B
115	15	1/2	45	62	12.8
	20	3/4	49.5	67	17
	25	1	55	76	21
	32	1 1/4	59.5	93	27
	40	1 1/2	63	98.5	34
166	50	2	69	115	45
	15	1/2	42.8	54	10
	20	3/4	45	64	15
	25	1	48.5	71	20

108/108D/109 黄铜闸阀 BRASS GATE VALVE

Z15W-16T



技术规范:

- 1. 公称压力: 1.6MPa
- 2. 工作介质: 水, 非腐蚀性液体, 饱和蒸汽
- 3. 工作温度: $-20^{\circ}\text{C} \leq t \leq 170^{\circ}\text{C}$ (108D为 $-20^{\circ}\text{C} \leq t \leq 90^{\circ}\text{C}$)
- 4. 管螺纹符合 ISO 7 标准 (GB/T7306.2), DN65-DN100 螺纹为 Rp

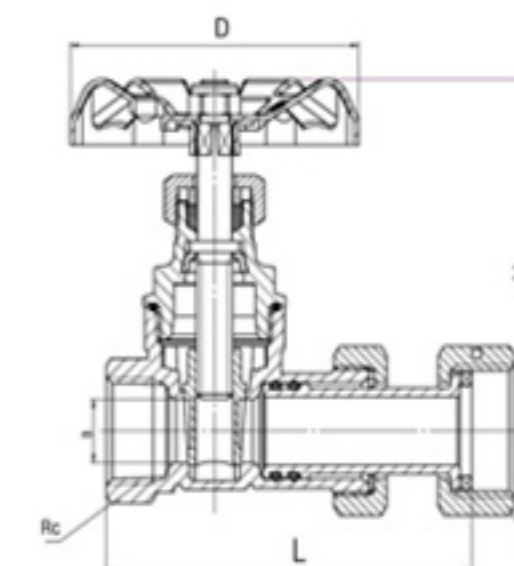
Technical specification

- 1. Nominal pressure: 1.6MPa
- 2. Working Medium: Water, Non-corrosive liquid, Saturated steam
- 3. Working Temperature: $-20^{\circ}\text{C} \leq t \leq 170^{\circ}\text{C}$ (108D: $-20^{\circ}\text{C} \leq t \leq 90^{\circ}\text{C}$)
- 4. Pipe thread conform to ISO 7 (GB/T7306.2), DN65-DN100 thread is Rp

Part No.	DN	SIZE	L	B	H	D
108	15	1/2	45	12.8	71	50(108) 60(109)
	20	3/4	49.5	17	75	60
	25	1	55	21	83	60
	32	1 1/4	59.5	27	98	70
	40	1 1/2	63	34	109	70
109	50	2	69	45	126.5	80
	65	2 1/2	88	56	160	105
	80	3	95	68	186	105
108D	100	4	114	90	229	130
	15	1/2	45	12.8	63.5	60
	20	3/4	49.5	17	72	60
	25	1	55	21	80	60
	32	1 1/4	59.5	27	91	70
	40	1 1/2	63	34	105	70
	50	2	64	45	121	80

116/116B 黄铜水表闸阀 BRASS GATE VALVE FOR WATER METER

Z15W-16T



技术规范:

- 1. 公称压力: 1.6MPa
- 2. 工作介质: 水
- 3. 工作温度: $0^{\circ}\text{C} < t \leq 90^{\circ}\text{C}$
- 4. 管螺纹符合 ISO 7/ISO 228 标准 (GB/T7306.2/GB/T7307)

Technical specification

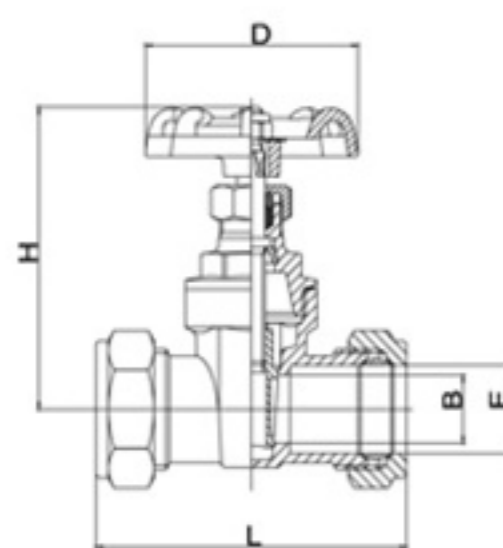
- 1. Nominal pressure: 1.6MPa
- 2. Working medium: Water
- 3. Working temperature: $0^{\circ}\text{C} < t \leq 90^{\circ}\text{C}$
- 4. Pipe thread conform to ISO 7/ISO 228 (GB/T7306.2/GB/T7307)

注: 116 阀杆填料为聚四氟乙烯, 116B 阀杆密封结构采用 O 型圈密封。
Note: 116 Seat materia for IPTFE, 116B Seat materia for o-rings

Part No.	DN	SIZE	H	D	L	Rc	G
116	15	1/2	71	60	75 89	1/2	3/4
	20	3/4	75	60	80 91	3/4	1
116B	20	3/4	72	60	76.5 89	3/4	3/4

111 黄铜卡套闸阀 BRASS GATE VALVE

Z95W-16T



技术规范:

- 1. 公称压力: 1.6MPa
- 2. 工作介质: 水, 非腐蚀性液体
- 3. 工作温度: $-20^{\circ}\text{C} \leq t \leq 120^{\circ}\text{C}$

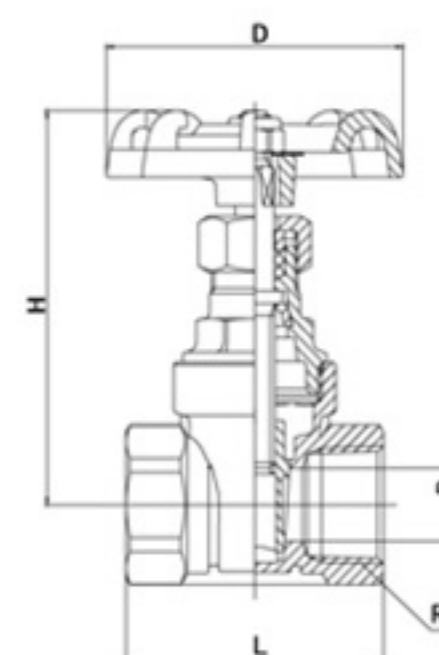
Technical specification

- 1. Nominal pressure: 1.6MPa
- 2. Working medium: Water, Non-corrosive liquid.
- 3. Working temperature: $-20^{\circ}\text{C} \leq t \leq 120^{\circ}\text{C}$

SIZE	L	E	B	H	D
15	68.5	15	12.8	70	55
22	80	22	17	74.5	55
28	92.5	28	21	85	60

158 黄铜闸阀 (足通孔) BRASS GATE VALVE

Z15W-20T



技术规范:

- 1. 公称压力: 2.0MPa
- 2. 工作介质: 水, 非腐蚀性液体, 饱和蒸汽
- 3. 工作温度: $-20^{\circ}\text{C} \leq t \leq 180^{\circ}\text{C}$
- 4. 管螺纹符合 ISO 7 标准 (GB/T7306.2)

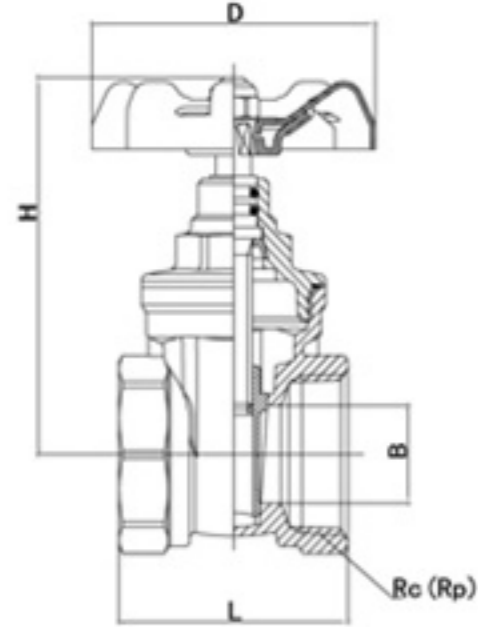
Technical specification

- 1. Nominal pressure: 2.0MPa
- 2. Working medium: Water, Non-corrosive liquid, Saturated steam
- 3. Working temperature: $-20^{\circ}\text{C} \leq t \leq 180^{\circ}\text{C}$
- 4. Pipe thread conform to ISO 7 (GB/T7306.2)

DN	SIZE	L	B	H	D
15	1/2	47.6	13	70.5	55
20	3/4	51	19	80	55
25	1	59	25	91	60
32	1 1/4	76	31.7	116	80
40	1 1/2	79	38.1	127	80
50	2	85	50	151.5	100

169 黄铜闸阀 BRASS GATE VALVE

Z15W-16T



技术规范:

- 1. 公称压力: 1.6MPa
- 2. 工作介质: 水
- 3. 工作温度: 0°C < t ≤ 90°C
- 4. 管螺纹符合ISO 7标准 (GB/T7306.2), DN65-DN100螺纹为Rp

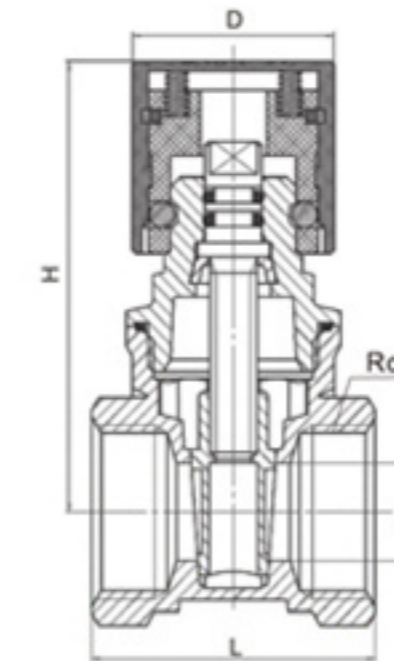
Technical specification

- 1. Nominal pressure: 1.6MPa
- 2. Working medium: Water
- 3. Working temperature: 0°C < t ≤ 90°C
- 4. Pipe thread conform to ISO 7 (GB/T7306.2), DN65-DN100 thread is Rp

DN	SIZE	L	B	H	D
15	1/2	42.8	10	62.5	50
20	3/4	45	15	70	60
25	1	48.5	20	77	60
32	1 1/4	59	25	91	70
40	1 1/2	61	32	107	70
50	2	67	38.5	117	80
65	2 1/2	86	49	148	105
80	3	95	57	166	105
100	4	113	75	205	130

196 黄铜磁性带锁闸阀 BRASS MAGNETIC LOCKABLE GATE VALVE

Z15W-16T



技术规范:

- 1. 公称压力: 1.6MPa
- 2. 工作介质: 水
- 3. 工作温度: 0°C < t ≤ 90°C
- 4. 管螺纹符合ISO7标准 (GB/T7306.2)

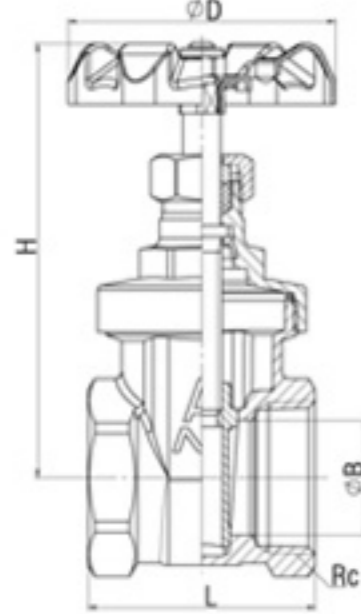
Technical specification

- 1. Nominal pressure: 1.6MPa
- 2. Working medium: Water
- 3. Working temperature: 0°C < t ≤ 90°C
- 4. Pipe thread conform to ISO 7 (GB/T7306.2)

DN	SIZE	D	H	B	L
15	1/2	32	62.5	10	42.8
20	3/4	32	69.1	15	45
25	1	32	76.7	20	48.5

176 黄铜足通径闸阀 BRASS GATE VALVE

Z15W-16T



技术规范:

- 1. 公称压力: 1.6MPa
- 2. 工作介质: 水、非腐蚀性液体、饱和蒸汽
- 3. 工作温度: -20°C < t ≤ 170°C
- 4. 管螺纹符合ISO 7标准 (GB/T7306.2)

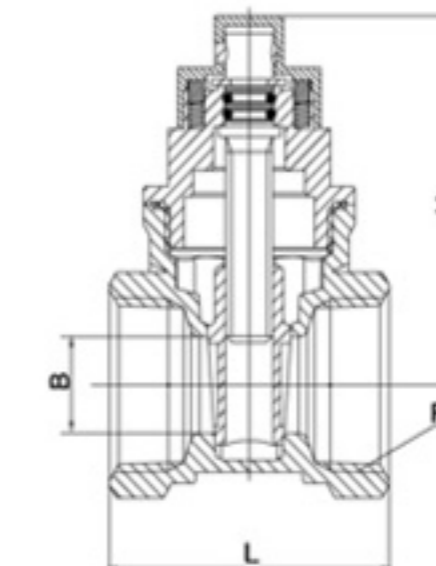
Technical specification

- 1. Nominal pressure: 1.6MPa
- 2. Working medium: Water, Non-corrosive liquid, Saturated steam
- 3. Working temperature: -20°C < t ≤ 170°C
- 4. Pipe thread conform to ISO 7 (GB/T7306.2)

DN	SIZE	L	B	H	D
15	1/2	43	15	74	60
20	3/4	46	20	84	60
25	1	51	25	94	60
32	1 1/4	59	32	108	70
40	1 1/2	62	40	123	70
50	2	71	50	149	80

198 黄铜磁性带锁闸阀 BRASS MAGNETIC LOCKABLE GATE VALVE

Z15W-16T



技术规范:

- 1. 公称压力: 1.6MPa
- 2. 工作介质: 水
- 3. 工作温度: 0°C < t ≤ 90°C
- 4. 管螺纹符合ISO7标准 (GB/T7306.2)

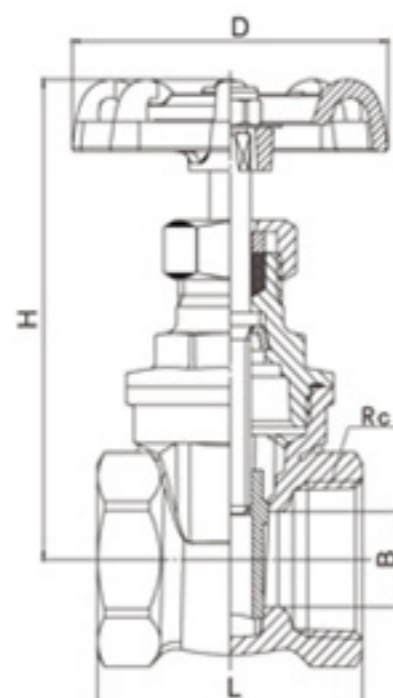
Technical specification

- 1. Nominal pressure: 1.6MPa
- 2. Working medium: Water
- 3. Working temperature: 0°C < t ≤ 90°C
- 4. Pipe thread conform to ISO 7 (GB/T7306.2)

DN	SIZE	L	B	H
15	1/2	42.8	10	46.5
20	3/4	45	15	57
25	1	48.5	20	59

186 青铜闸阀 BRONZE GATE VALVE

Z15W-20T



技术规范:

- 1. 公称压力: 2.0MPa
- 2. 工作介质: 水、非腐蚀性液体、饱和蒸汽
- 3. 工作温度: -20°C < t ≤ 180°C
- 4. 管螺纹符合ISO 7标准 (GB/T7306.2)

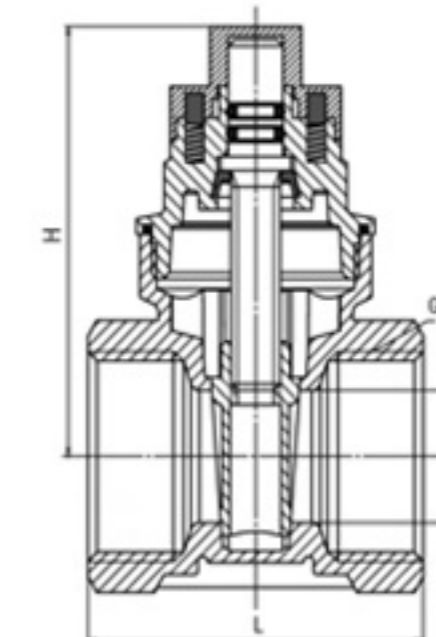
Technical specification

- 1. Nominal pressure: 2.0MPa
- 2. Working Medium: Water, non-corrosive liquid, Saturated steam
- 3. Working Temperature: -20°C < t ≤ 180°C
- 4. Pipe thread conform to ISO 7 (GB/T7306.2)

DN	SIZE	L	B	H	D
15	1/2	43.5	12	76	55
20	3/4	46	16	81	55
25	1	50	20	91	60
32	1 1/4	61	27	108	72
40	1 1/2	63	34	119	72
50	2	70	45	141	80
65	2 1/2	103	56	180	100
80	3	115.5	68	208	110
100	4	139.5	90	255	130

195 黄铜磁性带锁闸阀 BRASS MAGNETIC LOCKABLE GATE VALVE

Z15W-16T



技术规范:

- 1. 公称压力: 1.6MPa
- 2. 工作介质: 水、非腐蚀性液体
- 3. 工作温度: -20°C < t ≤ 90°C
- 4. 管螺纹符合ISO 228标准 (GB/T7307)

Technical specification

- 1. Nominal pressure: 1.6MPa
- 2. Working medium: Water, Non-corrosive liquid
- 3. Working temperature: -20°C < t ≤ 90°C
- 4. Pipe thread according to ISO 228 standard (GB/T7307)

DN	SIZE	L	B	H
15	1/2	45	12.8	56
20	3/4	51	19	66.5
25	1	55	21	68.1
32	1 1/4	59.5	27	84
40	1 1/2	63	34	90.5
50	2	69	45	108.5



锁紧螺母 LOCK NUT



手柄 HANDLE



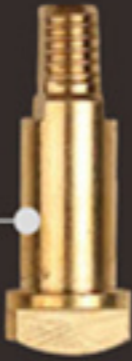
填料压盖 GLAND NUT



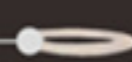
填料 PACKING



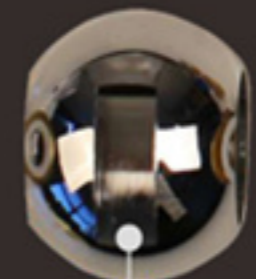
阀杆 VALVE STEM



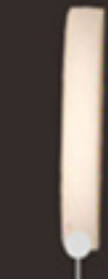
阀杆垫圈 VALVE STEM WASHER



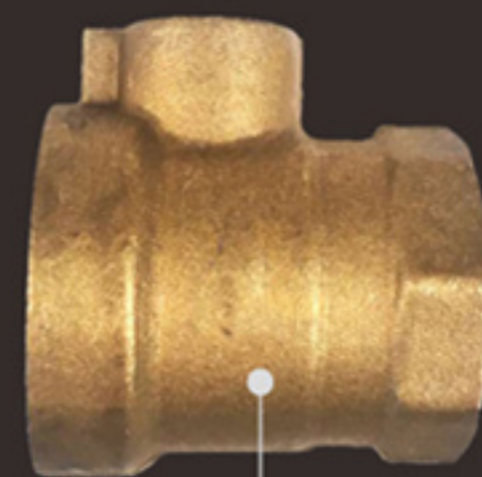
阀盖 BONNET



球体 BALL

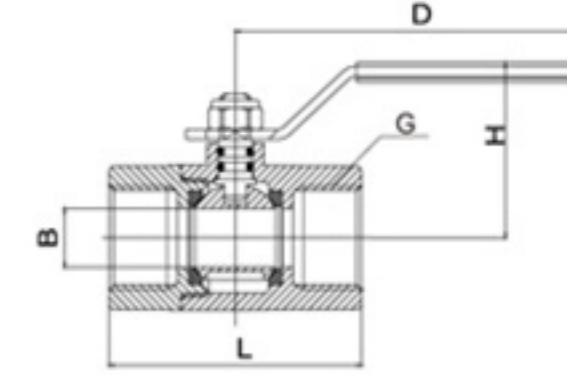


阀座 SEAT



阀体 VALVE BODY

201 黄铜球阀 BRASS BALL VALVE



技术规范:

- 1. 公称压力: 4.0MPa/2.5MPa
- 2. 工作介质: 水、非腐蚀性液体、空气
- 3. 工作温度: $-20^{\circ}\text{C} \leq t \leq 110^{\circ}\text{C}$
- 4. 圆柱管螺纹符合 ISO 228 标准 (GB/T7307)

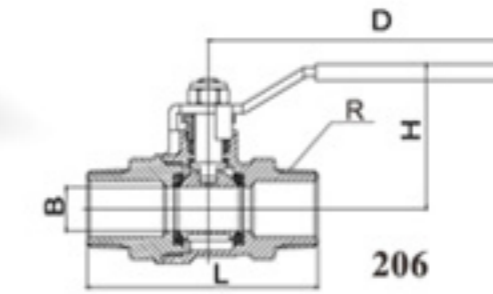
Technical specification

- 1. Nominal pressure: 4.0MPa/2.5MPa
- 2. Working Medium: Water, non-corrosive liquid, air
- 3. Working Temperature: $-20^{\circ}\text{C} \leq t \leq 110^{\circ}\text{C}$
- 4. Parallel pipe thread conform to ISO 228 (GB/T7307)

注: DN65-100公称压力: 2.5MPa
Note: Nominal Pressure (DN65-100): 2.5MPa

DN	SIZE	L	B	H	D
8	1/4	39	8	35.8	70
10	3/8	41.6	8	35.8	70
15	1/2	60.5	12.5	43.4	80
20	3/4	67	15	45.1	80
25	1	77.3	20	51.2	110
32	1 1/4	84.2	25	56	110
40	1 1/2	92.7	32	68	130
50	2	104.3	40	79.3	150
65	2 1/2	141.5	50	96.3	173
80	3	165	65	109	193
100	4	190	80	129.8	233

206/206A 黄铜外螺纹球阀 BRASS MALE THREAD BALL VALVE Q21F-20T



技术规范:

- 1. 公称压力: 2.0MPa
- 2. 工作介质: 水、非腐蚀性液体、空气
- 3. 工作温度: $-20^{\circ}\text{C} \leq t \leq 110^{\circ}\text{C}$
- 4. 管螺纹符合 ISO 7 标准 (GB/T7306.2)

Technical specification

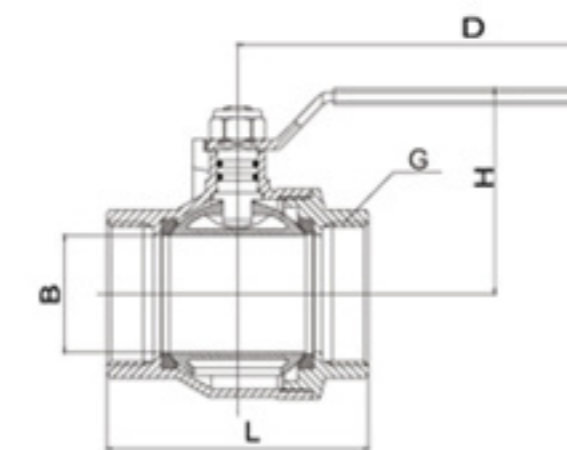
- 1. Nominal pressure: 2.0MPa
- 2. Working Medium: Water, non-corrosive liquid, air
- 3. Working Temperature: $-20^{\circ}\text{C} \leq t \leq 110^{\circ}\text{C}$
- 4. Pipe thread conform to ISO 7 (GB/T7306.2)

注: 206A手柄采用蝶型
Note: 206A use butterfly handle

DN	L	B	H	H1	D	D1
15	68	12.5	46	41	80	54
20	81.5	15	51	43	100	54
25	96.5	20	54	47	100	54

208 黄铜球阀 BRASS BALL VALVE

Q11F-20T



技术规范:

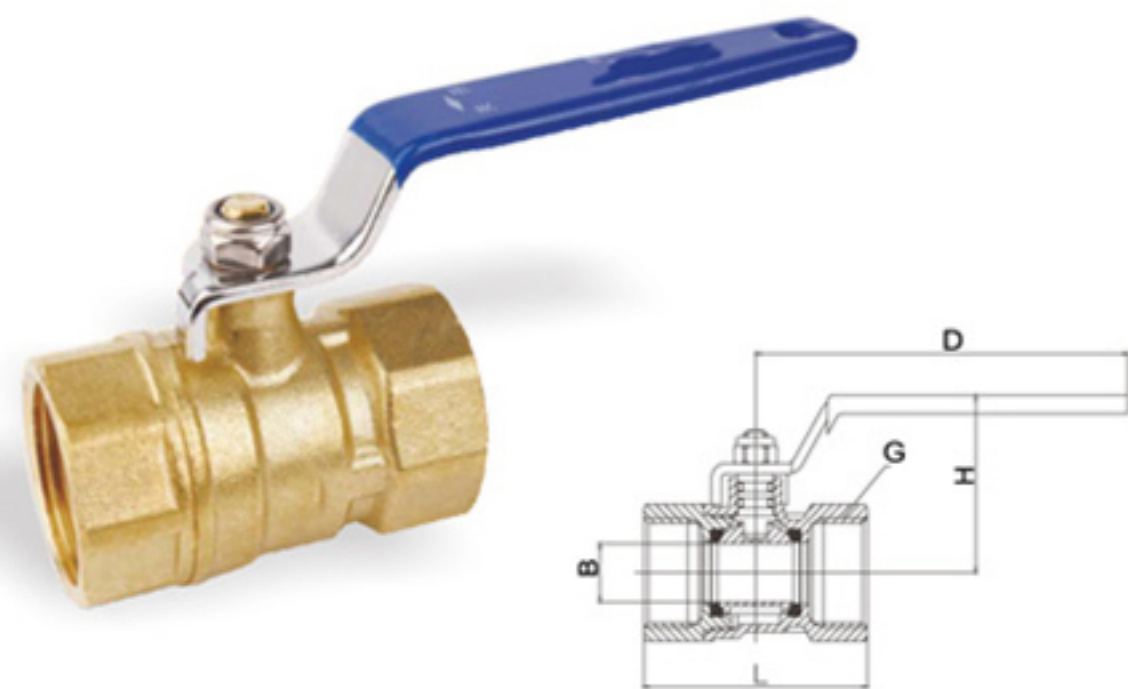
- 1. 公称压力: 2.0MPa
- 2. 工作介质: 水、非腐蚀性液体、空气
- 3. 工作温度: $-20^{\circ}\text{C} \leq t \leq 110^{\circ}\text{C}$
- 4. 管螺纹符合 ISO 228 标准 (GB/T7307)

Technical specification

- 1. Nominal pressure: 2.0MPa
- 2. Working Medium: Water, non-corrosive liquid, air
- 3. Working Temperature: $-20^{\circ}\text{C} \leq t \leq 110^{\circ}\text{C}$
- 4. Pipe thread conform to ISO 228 (GB/T7307)

DN	SIZE	L	B	H	D
15	1/2	51.5	14	44	86
20	3/4	58.5	19	50.5	106
25	1	68.8	24	53.5	106
32	1 1/4	80.8	31	59	106
40	1 1/2	90	39	69.6	126
50	2	111	50	77	126

209 黄铜球阀 BRASS BALL VALVE



Q11F-16T

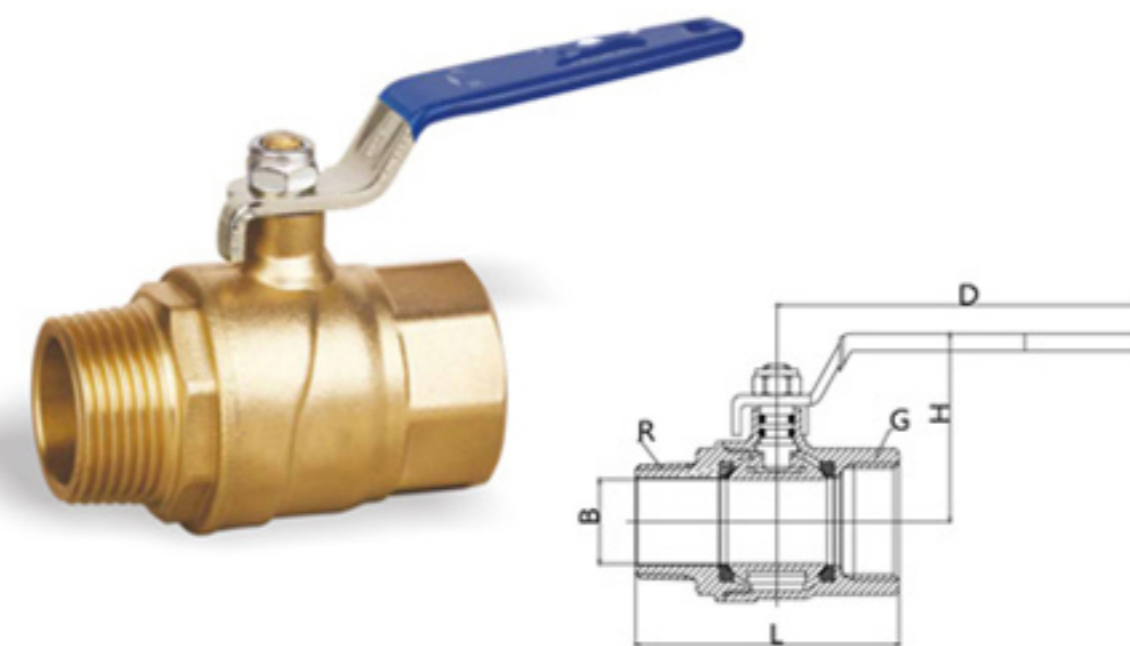
- 技术规范:
- 1. 公称压力: 1.6MPa
 - 2. 工作介质: 水、非腐蚀性液体、空气
 - 3. 工作温度: $-20^{\circ}\text{C} \leq t \leq 110^{\circ}\text{C}$
 - 4. 管螺纹符合ISO 228标准(GB/T7307)

Technical specification

- 1. Nominal pressure: 1.6MPa
- 2. Working Medium: Water, non-corrosive liquid, air
- 3. Working Temperature: $-20^{\circ}\text{C} \leq t \leq 110^{\circ}\text{C}$
- 4. Pipe thread conform to ISO 228 (GB/T7307)

DN	SIZE	L	B	H	D
15	1/2	52.5	10	40.7	93
20	3/4	55.8	14	43	93
25	1	67.6	19	50.5	109
32	1 1/4	75.8	24	54.8	109
40	1 1/2	88	31	73.3	131
50	2	102.6	39	79.8	131
65	2 1/2	123.8	50	93.3	167
80	3	147.9	64	98.8	176
100	4	173.3	75	109.2	196

214 黄铜球阀 (足通孔) BRASS BALL VALVE (FULL-PORT)



Q31F-20T

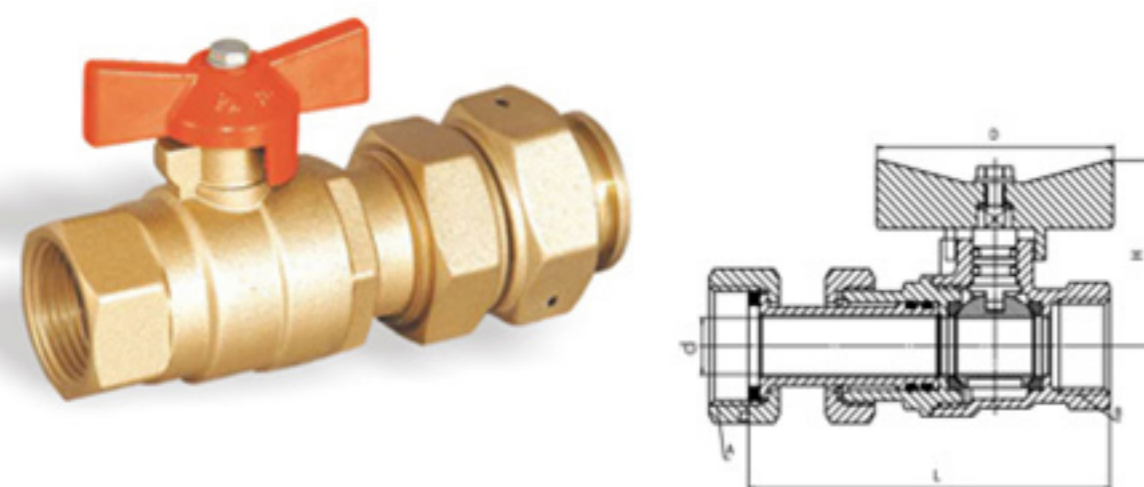
- 技术规范:
- 1. 公称压力: 2.0MPa
 - 2. 工作介质: 水、非腐蚀性液体、空气
 - 3. 工作温度: $-20^{\circ}\text{C} \leq t \leq 110^{\circ}\text{C}$
 - 4. 管螺纹符合ISO 7 (GB/T7306.2) / ISO 228标准(GB/T7307)

Technical specification

- 1. Nominal pressure: 2.0MPa
- 2. Working Medium: Water, non-corrosive liquid, air
- 3. Working Temperature: $-20^{\circ}\text{C} \leq t \leq 110^{\circ}\text{C}$
- 4. Pipe thread conform to ISO 7 (GB/T7306.2) / ISO 228 (GB/T7307)

DN	SIZE	L	B	H	D
15	1/2	60	14	43	93
20	3/4	66	19	47	93
25	1	77.6	24	54	109
32	1 1/4	95.3	31	72.5	131
40	1 1/2	104.2	39	79	131
50	2	124.8	50	92.4	167

210/210A 黄铜水表接管球阀 BRASS BALL VALVE FOR WATER METER Q11F-16T



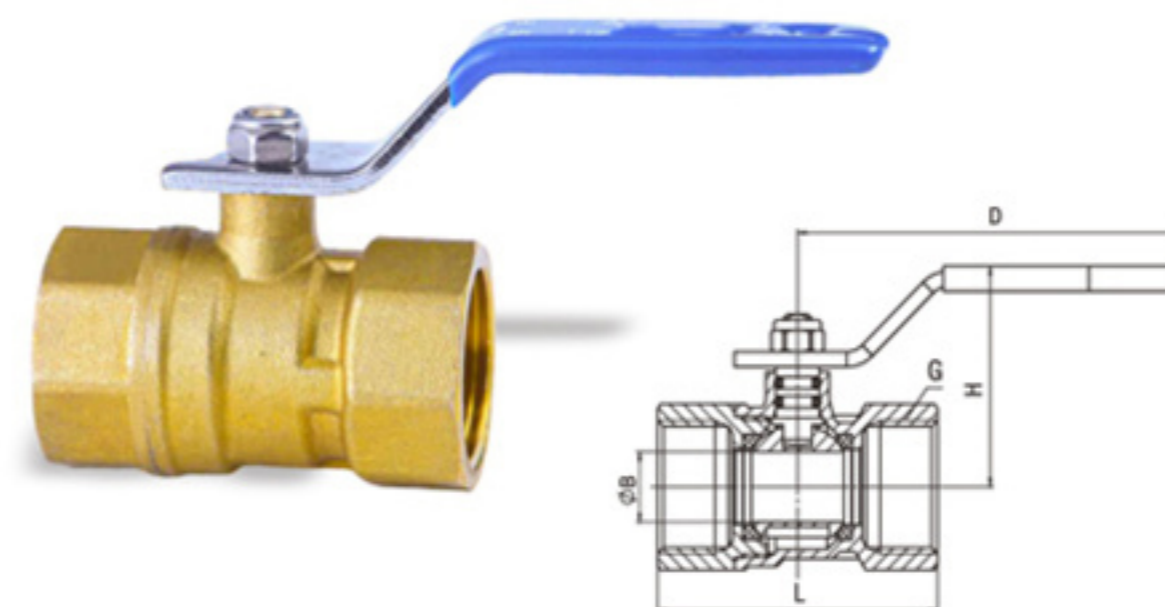
- 技术规范:
- 1. 公称压力: 1.6MPa
 - 2. 工作介质: 水
 - 3. 工作温度: $0^{\circ}\text{C} < t \leq 90^{\circ}\text{C}$
 - 4. 管螺纹符合ISO 228标准(GB/T7307)

Technical specification

- 1. Nominal pressure: 1.6MPa
- 2. Working Medium: Water
- 3. Working Temperature: $0^{\circ}\text{C} < t \leq 90^{\circ}\text{C}$
- 4. Pipe thread conform to ISO 228 (GB/T7307)

型号	DN	A	B	d	H	L	D
210	15	G1/2	G3/4	12.5	41	82.5-95	54
	20	G3/4	G1	15	43	87-102	
210A	20	G3/4	G3/4	15	43	84-99	

2266 黄铜球阀 BRASS BALL VALVE



Q11F-16T

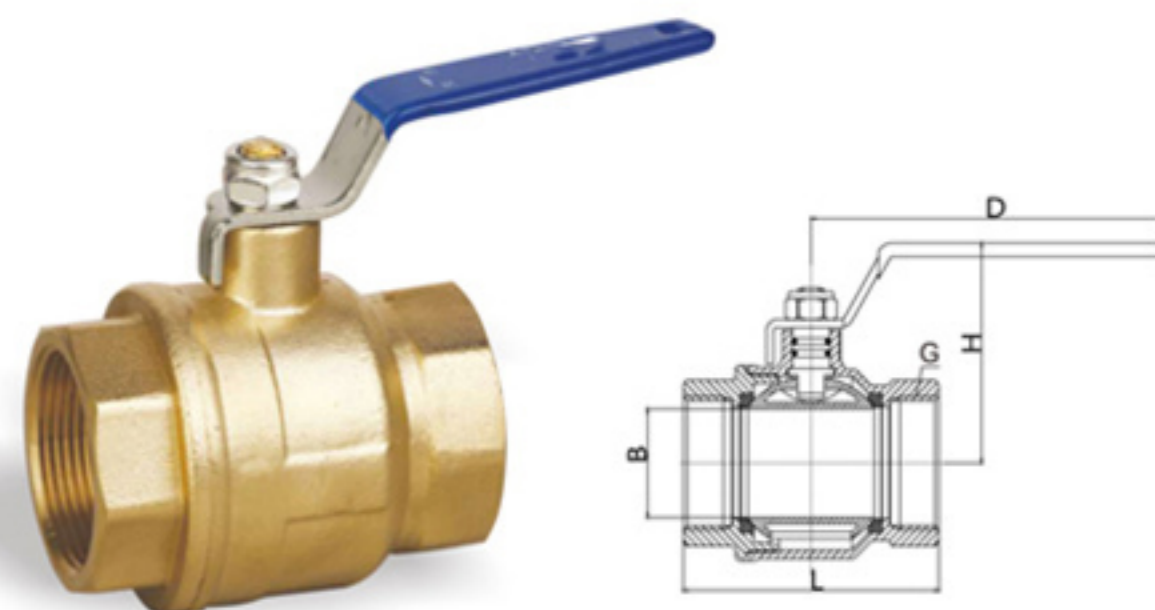
- 技术规范:
- 1. 公称压力: 1.6MPa
 - 2. 工作介质: 水、非腐蚀性液体、空气
 - 3. 工作温度: $-20^{\circ}\text{C} \leq t \leq 110^{\circ}\text{C}$
 - 4. 管螺纹符合ISO 228标准(GB/T7307)

Technical specification

- 1. Nominal pressure: 1.6MPa
- 2. Working Medium: Water, non-corrosive liquid, air
- 3. Working Temperature: $-20^{\circ}\text{C} \leq t \leq 110^{\circ}\text{C}$
- 4. pipe thread conform to ISO 228 (GB/T7307)

DN	SIZE	L	B	H	D
15	1/2	51.2	10	41.7	80
20	3/4	57.6	14	43.9	80
25	1	67.4	19	50.5	110
32	1 1/4	75.8	24	54.8	110
40	1 1/2	88	31	64.8	126
50	2	102.6	39	71.3	126

213 黄铜球阀 (足通孔) BRASS BALL VALVE (FULL-PORT)



Q11F-20T

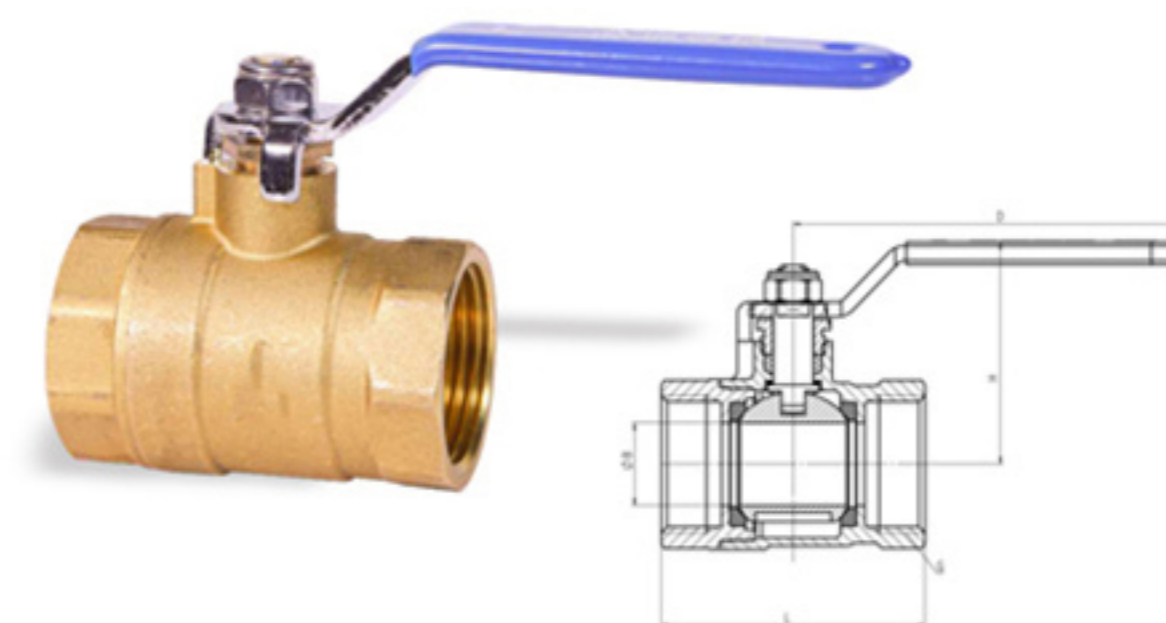
- 技术规范:
- 1. 公称压力: 2.0MPa
 - 2. 工作介质: 水、非腐蚀性液体、空气
 - 3. 工作温度: $-20^{\circ}\text{C} \leq t \leq 110^{\circ}\text{C}$
 - 4. 管螺纹符合ISO 228标准(GB/T7307)

Technical specification

- 1. Nominal pressure: 2.0MPa
- 2. Working Medium: Water, non-corrosive liquid, air
- 3. Working Temperature: $-20^{\circ}\text{C} \leq t \leq 110^{\circ}\text{C}$
- 4. Pipe thread conform to ISO 228 (GB/T7307)

DN	SIZE	L	B	H	D
15	1/2	54.8	14	44	93
20	3/4	61	19	47	93
25	1	72	24	54	109
32	1 1/4	84.2	31	72.5	131
40	1 1/2	94.8	39	80	131
50	2	112.4	50	93.3	167

2316 黄铜球阀 BRASS BALL VALVE



Q11F-16T

- 技术规范:
- 1. 公称压力: 1.6MPa
 - 2. 工作介质: 水、非腐蚀性液体、空气
 - 3. 工作温度: $-20^{\circ}\text{C} \leq t \leq 110^{\circ}\text{C}$
 - 4. 管螺纹符合ISO 228标准(GB/T7307)

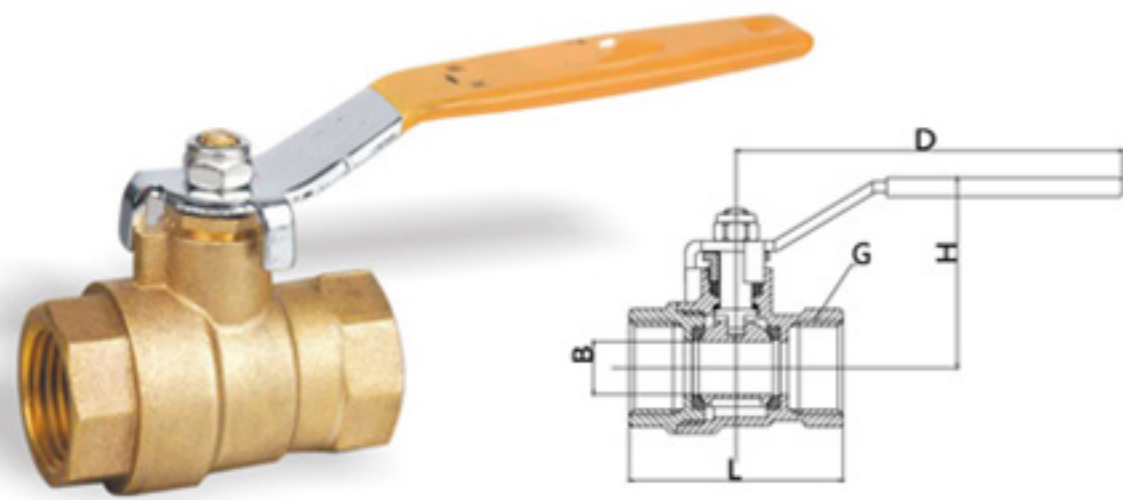
Technical specification

- 1. Nominal pressure: 1.6MPa
- 2. Working Medium: Water, non-corrosive liquid, air
- 3. Working Temperature: $-20^{\circ}\text{C} \leq t \leq 110^{\circ}\text{C}$
- 4. pipe thread conform to ISO 228 (GB/T7307)

DN	SIZE	L	B	H	D
15	1/2	50.5	12.5	45.5	80
20	3/4	54	15	51	100
25	1	65.9	20	54	100
32	1 1/4	73.6	25	63	130
40	1 1/2	81.9	32	68	130
50	2	101.9	40	79.3	150

216H 黄铜球阀 BRASS BALL VALVE

Q11F-20T



技术规范:

- 1. 公称压力: 2.0MPa
- 2. 工作介质: 水、非腐蚀性液体、饱和蒸汽
- 3. 工作温度: $0^{\circ}\text{C} < t \leq 150^{\circ}\text{C}$
- 4. 圆柱管螺纹符合ISO 228标准(GB/T7307)

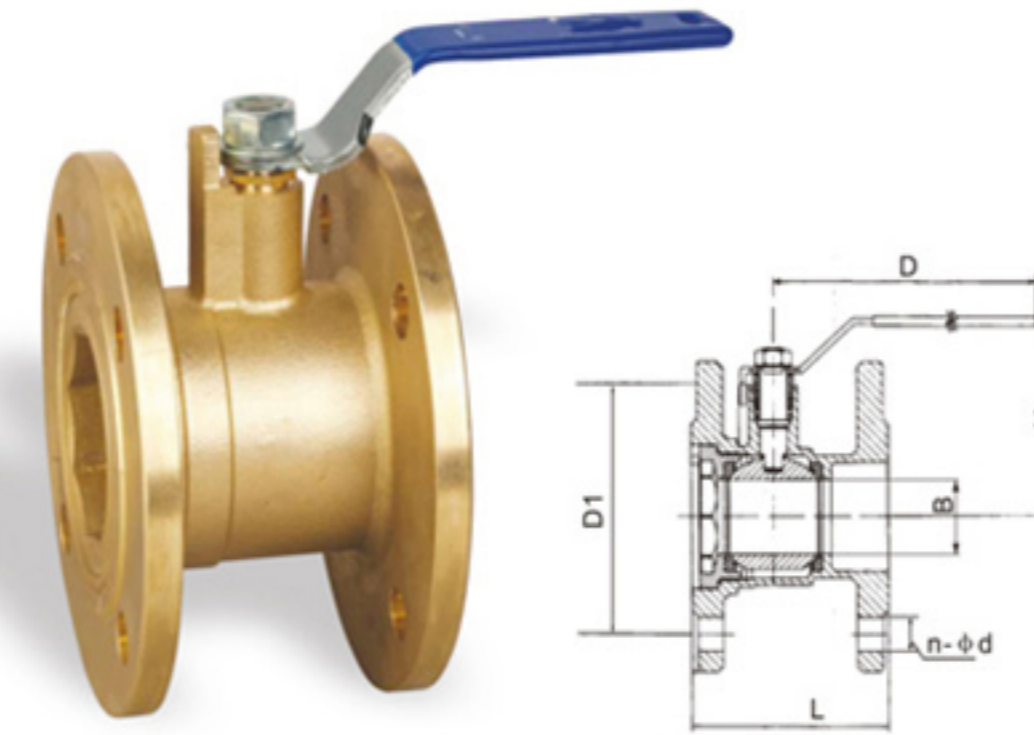
Technical specification

- 1. Nominal pressure: 2.0MPa
- 2. Working Medium: Water, non-corrosive liquid or saturated steam.
- 3. Working Temperature: $0^{\circ}\text{C} < t \leq 150^{\circ}\text{C}$
- 4. Parallel thread conform to ISO 228 (GB/T7307)

DN	SIZE	L	B	H	D
8	1/4	42	10	43	67
10	3/8	43	10	43	67
15	1/2	52.5	12.5	45.5	80
20	3/4	55.6	15	51	100
25	1	69	20	54	100
32	1 1/4	77	25	63	130
40	1 1/2	88	32	68	130
50	2	103	40	79	150
65	2 1/2	129	50	97.7	176
80	3	154.5	65	112	196
100	4	186	80	135	227

240 黄铜法兰球阀 BRASS FLANGED BALL VALVE

Q41F-25T



技术规范:

- 1. 公称压力: 2.5MPa
- 2. 工作介质: 水、非腐蚀性液体、空气
- 3. 工作温度: $-20^{\circ}\text{C} \leq t \leq 110^{\circ}\text{C}$
- 4. 法兰标准符合GB/T 15530.1-2008

Technical specification

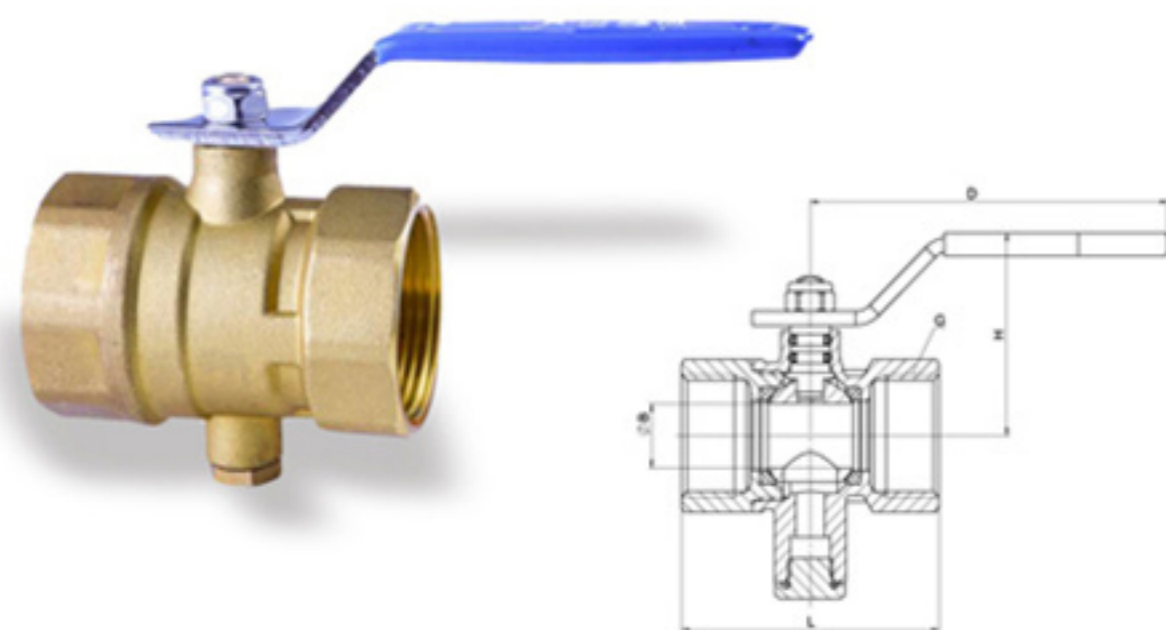
- 1. Nominal pressure: 2.5MPa
- 2. Working Medium: Water, non-corrosive liquid, air
- 3. Working Temperature: $-20^{\circ}\text{C} \leq t \leq 110^{\circ}\text{C}$
- 4. Flanged standard conform to GB/T 15530.1-2008

注: DN65~DN100阀杆采用不锈钢材料
Note: Stem(DN65-100)material: S.S

DN	SIZE	L	D1	H	D	B	n-d
15	1/2	80	65	70	160	12.7	
20	3/4	80	75	75.5	160	15	4-14
25	1	84	85	80	175	20	
32	1 1/4	93	100	93	175	25	
40	1 1/2	106	110	96	185	32	4-18
50	2	108	125	105.5	185	40	
65	2 1/2	112	145	123	170	50	8-18
80	3	127	160	129	190	65	8-18
100	4	140	190	151	230	80	8-22

2229 黄铜测温球阀 BRASS TEMPERATURE-MEASURING BALL VALVE

Q11F-16T



技术规范:

- 1. 公称压力: 1.6MPa
- 2. 工作介质: 水、非腐蚀性液体
- 3. 工作温度: $-20^{\circ}\text{C} \leq t \leq 110^{\circ}\text{C}$
- 4. 管螺纹符合ISO 228标准(GB/T7307)

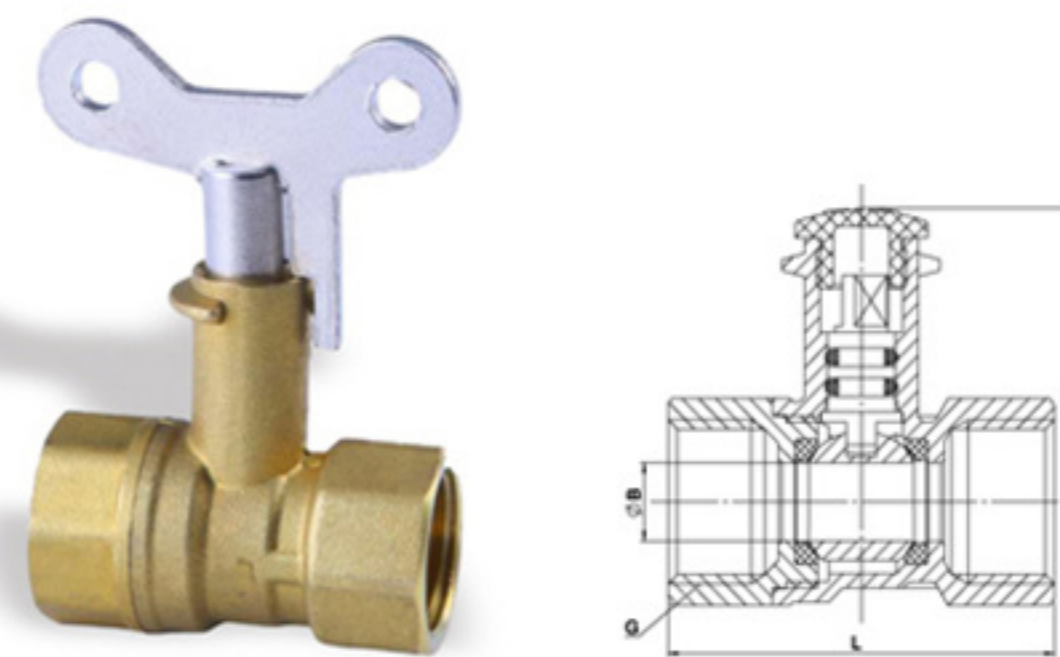
Technical specification

- 1. Nominal pressure: 1.6MPa
- 2. Working Medium: Water, non-corrosive liquid
- 3. Working Temperature: $-20^{\circ}\text{C} \leq t \leq 110^{\circ}\text{C}$
- 4. Pipe thread conform to ISO 228 (GB/T7307)

DN	SIZE	L	H	B	D	G
15	1/2	51.2	41.7	10	80	1/2
20	3/4	57.6	43.9	14	80	3/4
25	1	67.4	50.5	19	110	1
32	1 1/4	75.8	54.8	24	110	1 1/4
40	1 1/2	88	64.8	31	126	1 1/2
50	2	102.6	71.3	39	126	2

2243 黄铜带锁球阀 BRASS BALL VALVE WITH LOCK

Q11F-16T



技术规范:

- 1. 公称压力: 1.6MPa
- 2. 工作介质: 水、非腐蚀性液体、空气
- 3. 工作温度: $-20^{\circ}\text{C} \leq t \leq 110^{\circ}\text{C}$
- 4. 管螺纹符合ISO 228标准(GB/T7307)

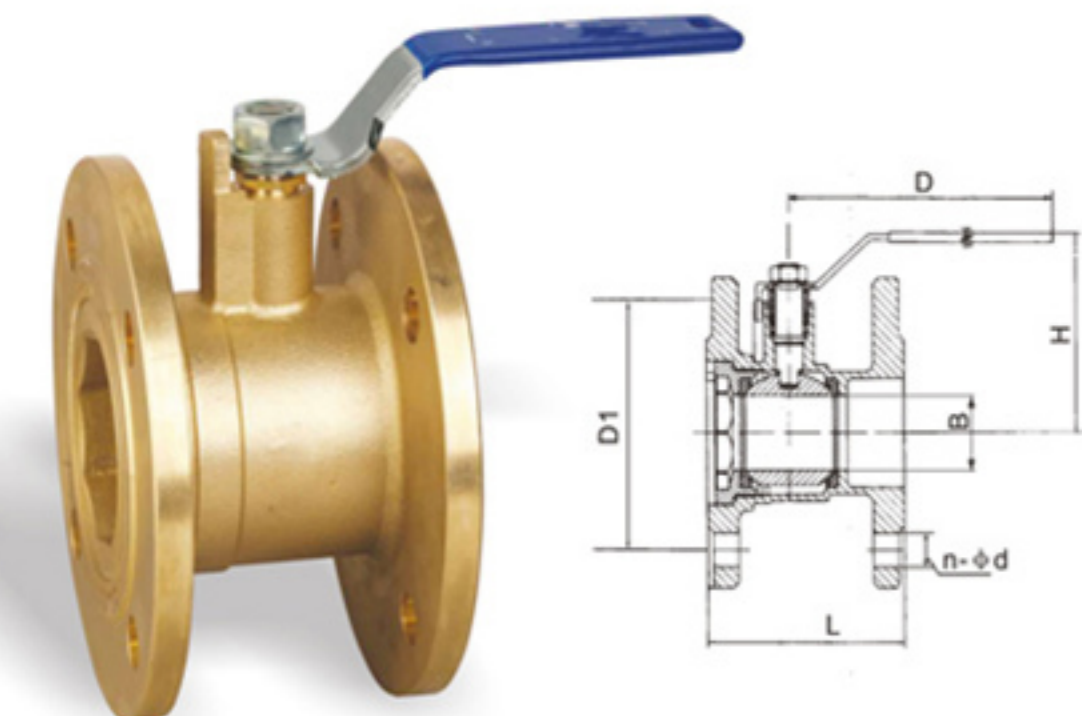
Technical specification

- 1. Nominal pressure: 1.6MPa
- 2. Working Medium: Water, non-corrosive liquid, air
- 3. Working Temperature: $-20^{\circ}\text{C} \leq t \leq 110^{\circ}\text{C}$
- 4. Pipe thread conform to ISO 228 (GB/T7307)

DN	SIZE	L	H	B	G
15	1/2	51.2	37.6	10	1/2
20	3/4	57.6	40.8	14	3/4
25	1	67.4	48.8	19	1
32	1 1/4	75.8	53	24	1 1/4
40	1 1/2	88	61.6	31	1 1/2
50	2	102.6	68	39	2

239 黄铜法兰球阀 BRASS FLANGED BALL VALVE

Q41F-16T



技术规范:

- 1. 公称压力: 1.6MPa
- 2. 工作介质: 水、非腐蚀性液体、空气
- 3. 工作温度: $-20^{\circ}\text{C} \leq t \leq 110^{\circ}\text{C}$
- 4. 法兰标准符合GB/T 15530.1-2008

Technical specification

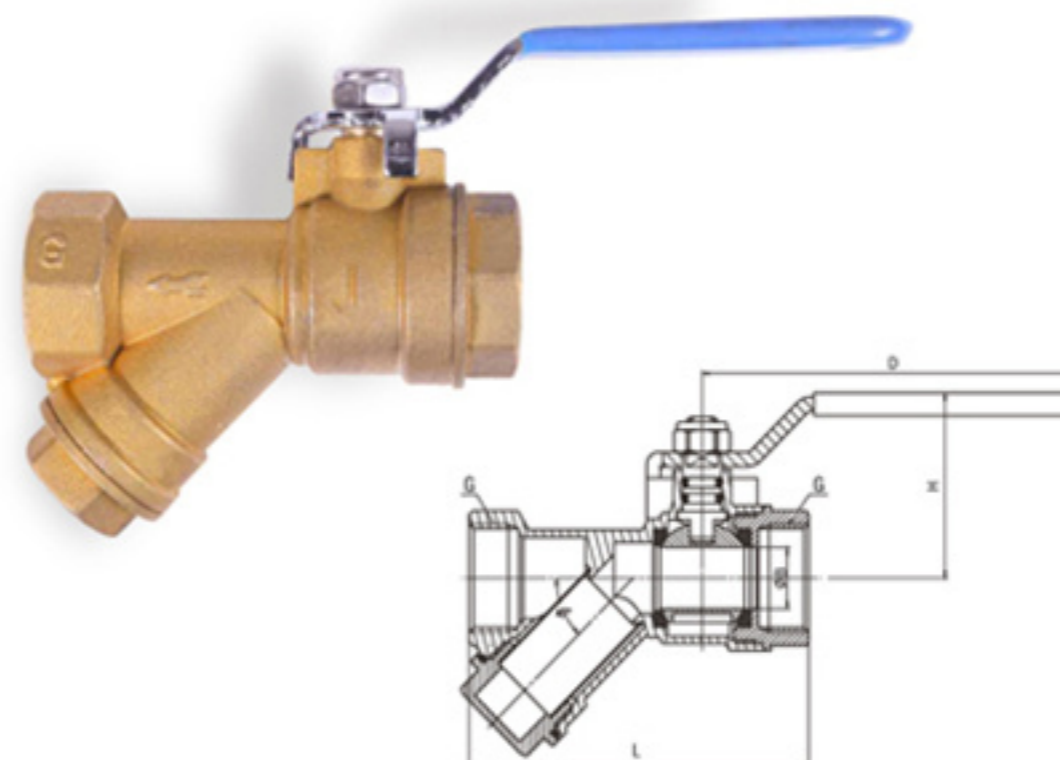
- 1. Nominal pressure: 1.6MPa
- 2. Working Medium: Water, non-corrosive liquid, air
- 3. Working Temperature: $-20^{\circ}\text{C} \leq t \leq 110^{\circ}\text{C}$
- 4. Flanged standard conform to GB/T 15530.1-2008

注: DN65~DN100阀杆采用不锈钢材料
Note: Stem(DN65-100)material: S.S

DN	SIZE	L	D1	H	D	B	n-d
65	2 1/2	112	145	123	170	50	4-18
100	4	140	180	151	230	80	8-18

2246 黄铜过滤器球阀 BRASS BALL VALVE WITH STRAINER

Q11F-16T



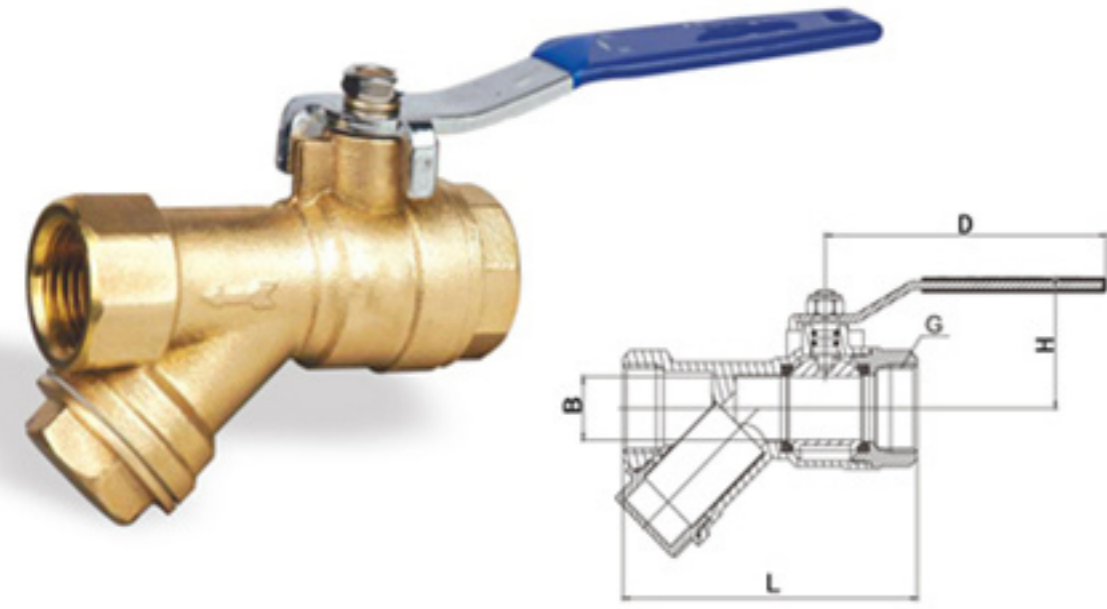
技术规范:

- 1. 公称压力: 1.6MPa
- 2. 工作介质: 水、非腐蚀性液体
- 3. 工作温度: $-20^{\circ}\text{C} \leq t \leq 110^{\circ}\text{C}$
- 4. 管螺纹符合ISO 228标准(GB/T7307)

Technical specification

- 1. Nominal pressure: 1.6MPa
- 2. Working Medium: Water, non-corrosive liquid
- 3. Working Temperature: $-20^{\circ}\text{C} \leq t \leq 110^{\circ}\text{C}$
- 4. Pipe thread conform to ISO 228 (GB/T7307)

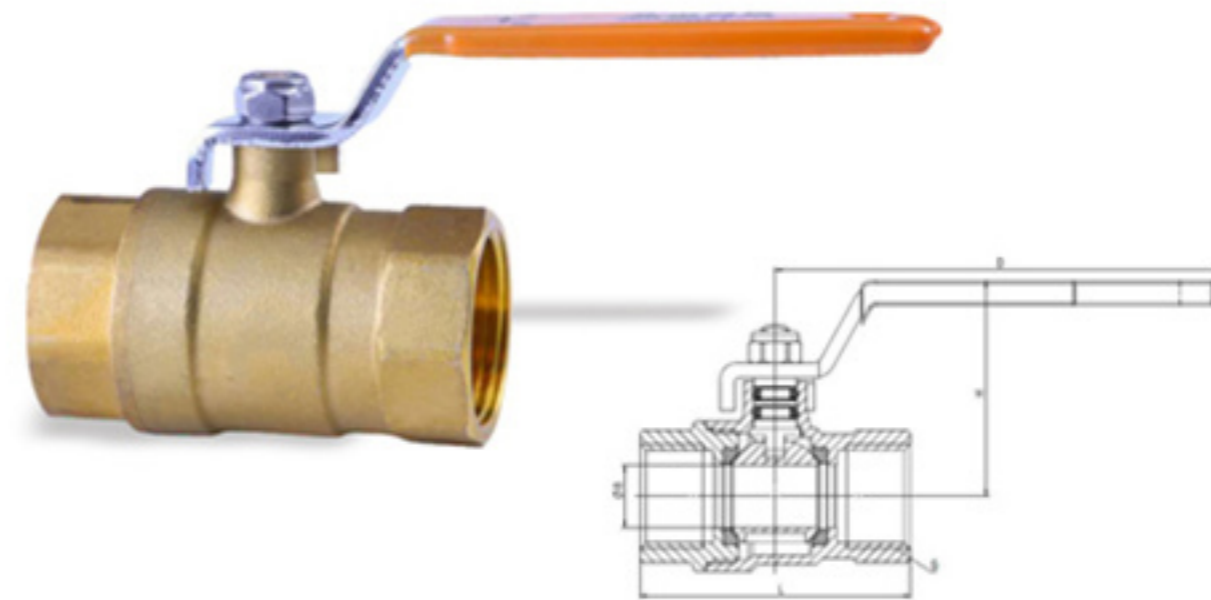
DN	SIZE	L	H	D	B	目数
15	1/2	76	41	80	12.5	
20	3/4	86	45	100	15	
25	1	104.5	49	100	20	15
32	1 1/4	119.5	54	130	24	
40	1 1/2	136	62	130	31	



- 技术规范:**
- 1. 公称压力: 246: 2.0MPa /246A:1.6MPa
 - 2. 工作介质: 246: 水、非腐蚀性液体、空气
246A: 硫化氢含量不大于20mg/m³的煤气、天然气、液化石油气及其混合气
 - 3. 工作温度: 246: -20℃≤t≤110℃ /246A:-20℃<t≤65℃
 - 4. 管螺纹符合ISO 228标准(GB/T7307)

- Technical specification**
- 1. Nominal pressure: 246: 2.0MPa /246A:1.6MPa
 - 2. Working Medium: 246: Water, non-corrosive liquid, air
246A: Hydrogen sulfide content of not more than 20mg / m³ of gas, natural gas, liquefied petroleum gas and gas mixture
 - 3. Working Temperature: 246: -20℃≤t≤110℃ /246A:-20℃<t≤65℃
 - 4. Pipe thread conform to ISO 228 (GB/T7307)

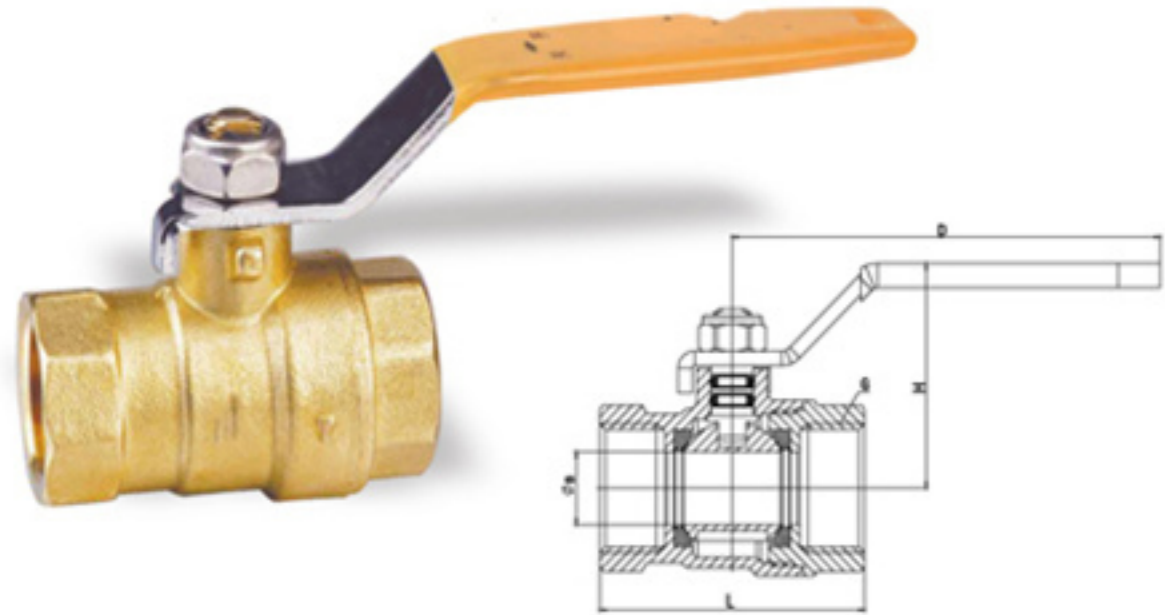
型号	DN	SIZE	L	H	D	B	(目数)
246	15	1/2	77	43	80	14	15
	20	3/4	92	46.5	100	18	
	25	1	115	50.5	100	24	
	32	1 1/4	124.5	54.6	130	24	
246A	40	1 1/2	143	62	130	31	18
	15	1/2	73.5	39.7	80	10	



- 技术规范:**
- 1. 公称压力: 1.6MPa
 - 2. 工作介质: 天然气、人工煤气、液化石油气
 - 3. 工作温度: -20℃≤t≤60℃
 - 4. 管螺纹符合ISO 228标准(GB/T 7307)

- Technical specification**
- 1. Nominal pressure: 1.6MPa
 - 2. Working Medium: Natural gas, artificial gas, liquefied petroleum gas
 - 3. Working Temperature: -20℃≤t≤60℃
 - 4. Pipe thread conform to ISO 228 (GB/T7307)

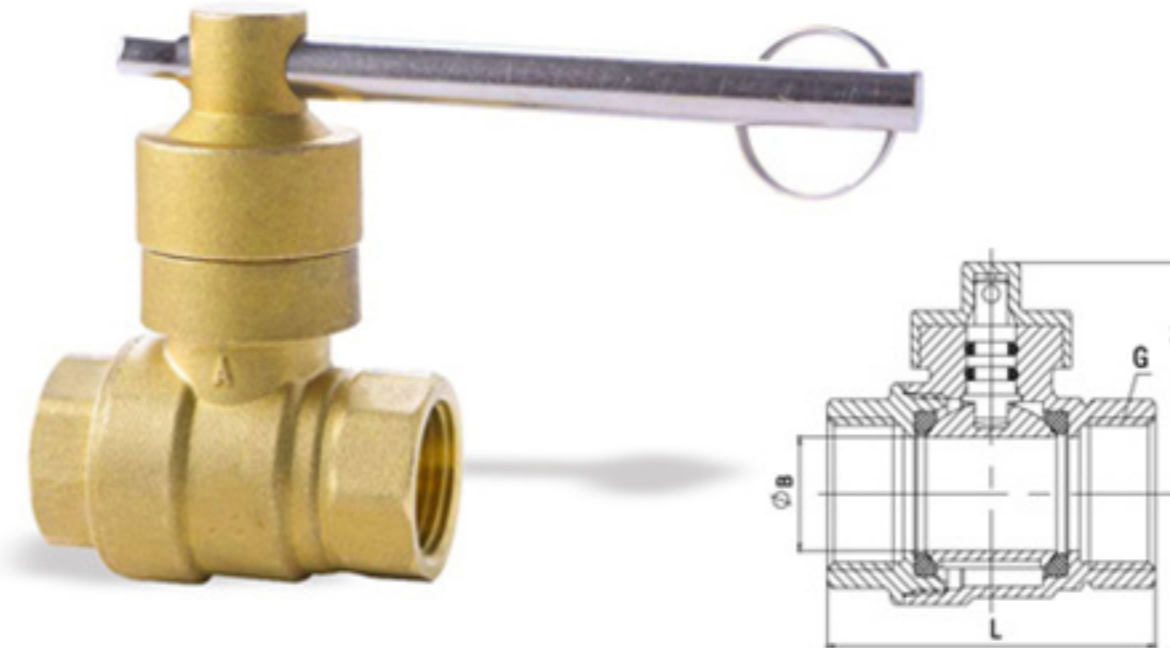
DN	SIZE	L	H	B	D	G
15	1/2	56	43.3	12.5	93	1/2
20	3/4	67	45.3	17	93	3/4
25	1	78	52.3	20	109	1
32	1 1/4	88	71.5	25	131	1 1/4
40	1 1/2	104	75.1	32	131	1 1/2
50	2	120	87.5	40	166	2



- 技术规范:**
- 1. 公称压力: 1.6MPa
 - 2. 工作介质: 硫化氢含量不大于20mg/m³的煤气、天然气、液化石油气及其混合气
 - 3. 管螺纹符合ISO 228标准(GB/T7307)
 - 4. 工作温度: -20℃<t≤65℃

- Technical specification**
- 1. Nominal pressure: 1.6MPa
 - 2. Working Medium: Hydrogen sulfide content of not more than 20mg / m³ of gas, natural gas, liquefied petroleum gas and gas mixture
 - 3. Pipe thread conform to ISO 228 (GB/T7307)
 - 4. Working Temperature: -20℃<t≤65℃

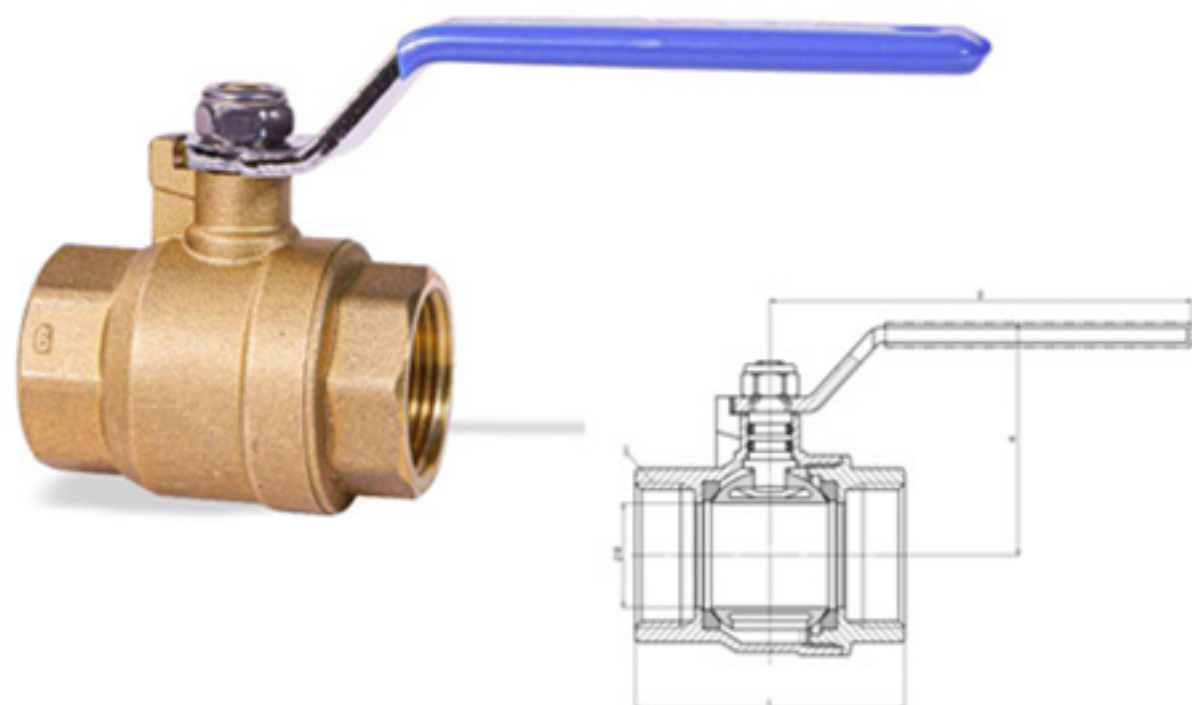
DN	SIZE	L	B	H	D
15	1/2	52.4	12.5	44.6	91
20	3/4	56.2	15	46.1	91
25	1	67.8	20	52.2	111
32	1 1/4	78.6	25	56.6	126
40	1 1/2	88.2	32	65	139
50	2	103	40	78	156



- 技术规范:**
- 1. 公称压力: 1.6MPa
 - 2. 工作介质: 天然气、人工煤气、液化石油气
 - 3. 工作温度: -20℃≤t≤65℃
 - 4. 管螺纹符合ISO 228标准(GB/T 7307)

- Technical specification**
- 1. Nominal pressure: 1.6MPa
 - 2. Working Medium: Natural gas, artificial gas, liquefied petroleum gas
 - 3. Working Temperature: -20℃≤t≤65℃
 - 4. Pipe thread conform to ISO 228 (GB/T7307)

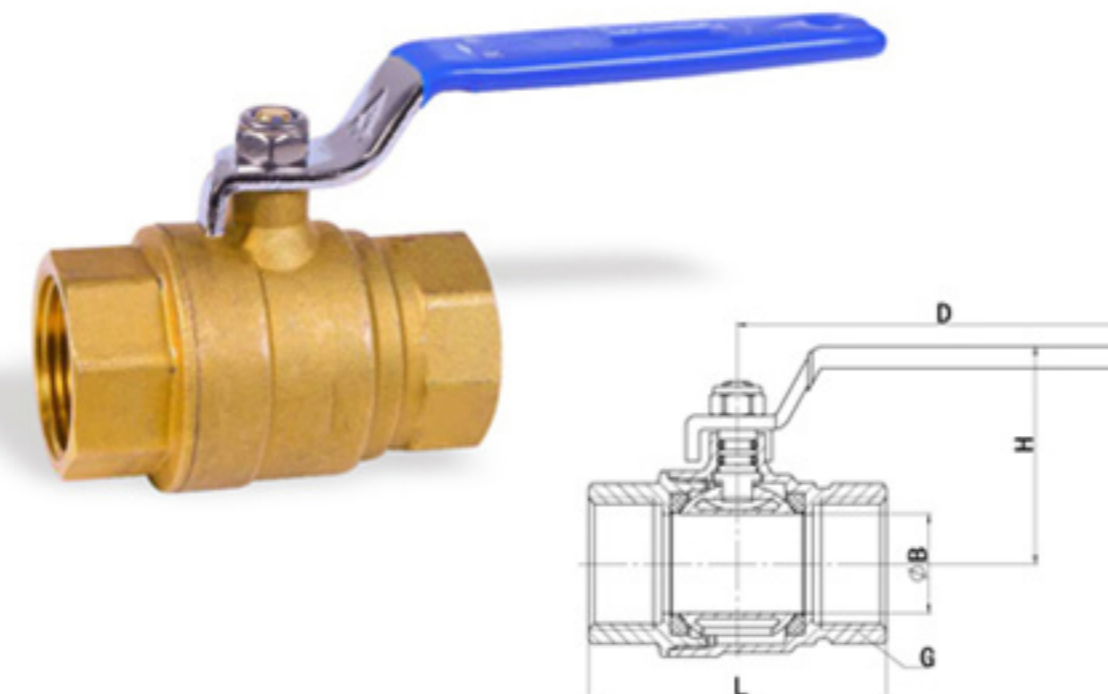
DN	SIZE	L	B	H	G
15	1/2	53	15	37.5	1/2
20	3/4	59.6	20	40.6	3/4
25	1	73	25	45	1
32	1 1/4	85.2	32	53.6	1 1/4
40	1 1/2	95	40	60	1 1/2
50	2	115	50	75.3	2



- 技术规范:**
- 1. 公称压力: 1.6MPa
 - 2. 工作介质: 水、非腐蚀性液体、空气
 - 3. 工作温度: -20℃≤t≤110℃
 - 4. 管螺纹符合ISO 228标准(GB/T7307)

- Technical specification**
- 1. Nominal pressure: 1.6MPa
 - 2. Working Medium: Water, Non-corrosive liquid, Air
 - 3. Working Temperature: -20℃~110℃
 - 4. Pipe thread according to ISO 228 standard (GB/T7307)

DN	SIZE	L	B	H	D
15	1/2	51.2	14	44	86
20	3/4	57	20	50	86
25	1	67.8	24	53.5	106
32	1 1/4	79.4	31	59	106
40	1 1/2	88.8	39	69.6	126
50	2	111	50	77	126



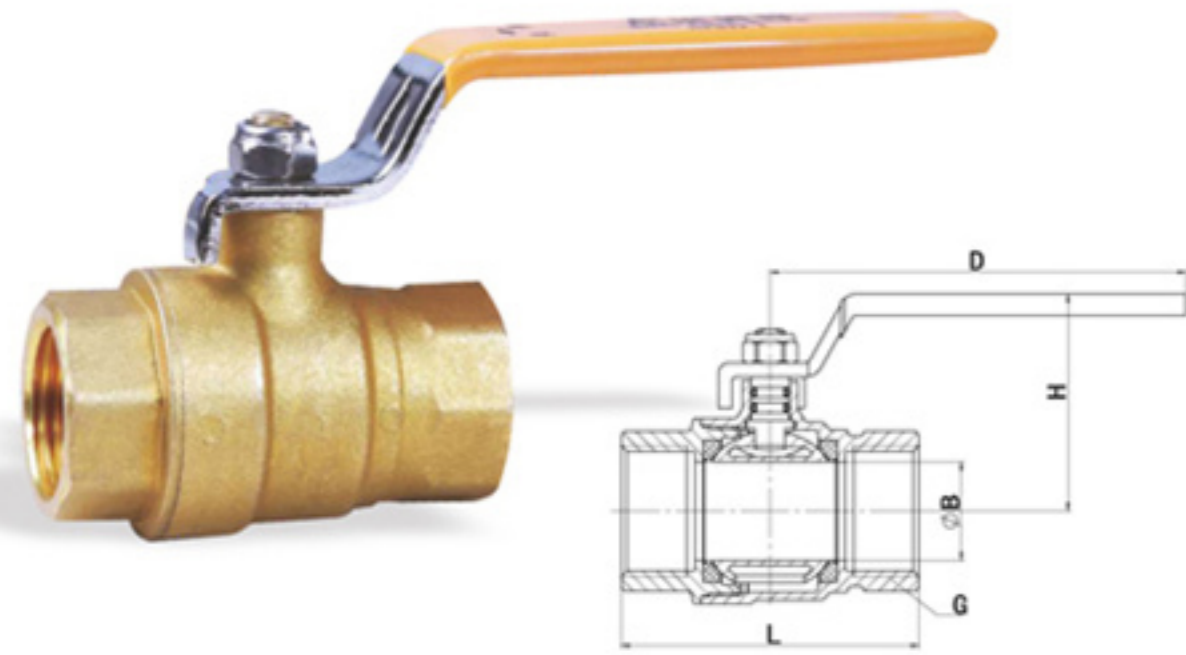
- 技术规范:**
- 1. 公称压力: 1.6MPa
 - 2. 工作介质: 水、非腐蚀性液体、空气
 - 3. 管螺纹符合ISO 228标准(GB/T7307)
 - 4. 工作温度: -20℃≤t≤110℃

- Technical specification**
- 1. Nominal pressure: 1.6MPa
 - 2. Working Medium: Water, non-corrosive liquid, air
 - 3. Pipe thread conform to ISO 228 (GB/T7307)
 - 4. Working Temperature: -20℃≤t≤110℃

DN	SIZE	L	B	H	D	G
15	1/2	56	15	44	93	1/2
20	3/4	67	20	47.1	93	3/4
25	1	78	25	55	109	1
32	1 1/4	88	32	74.5	131	1 1/4
40	1 1/2	104	40	79.8	131	1 1/2
50	2	120	50	93.3	166	2

G252 黄铜燃气球阀 BRASS GAS BALL VALVE

RQL-PN16/DN15-50



技术规范:

- 1. 公称压力: 1.6MPa
- 2. 工作介质: 硫化氢含量不大于20mg/m³的煤气、天然气、液化石油气及其混合气
- 3. 管螺纹符合ISO 228标准(GB/T7307)
- 4. 工作温度: -20°C ≤ t ≤ 60°C

Technical specification

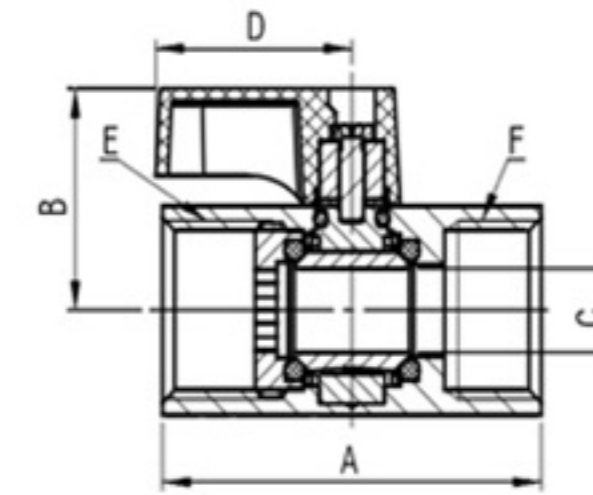
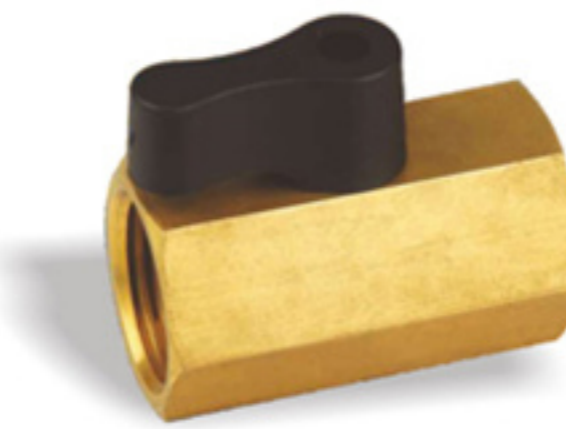
- 1. Nominal pressure: 1.6MPa
- 2. Working Medium: Hydrogen sulfide content of not more than 20mg / m³ of gas, natural gas, liquefied petroleum gas and gas mixture
- 3. Pipe thread conform to ISO 228 (GB/T7307)
- 4. Working Temperature: -20°C ≤ t ≤ 60°C

DN	SIZE	L	B	H	D	G
15	1/2	56	15	44	93	1/2
20	3/4	67	20	47	93	3/4
25	1	78	25	55	109	1
32	1 1/4	88	32	74.5	131	1 1/4
40	1 1/2	104	40	80	131	1 1/2
50	2	120	50	93	166	2

Q11X-10T

www.finio.cn

256 黄铜迷你小球阀 BRASS MINI BALL VALVE



技术规范:

- 1. 公称压力: 1.0MPa
- 2. 工作介质: 水、非腐蚀性液体
- 3. 工作温度: -10°C ≤ t ≤ 80°C
- 4. 管螺纹符合ISO 228标准(GB/T7307)

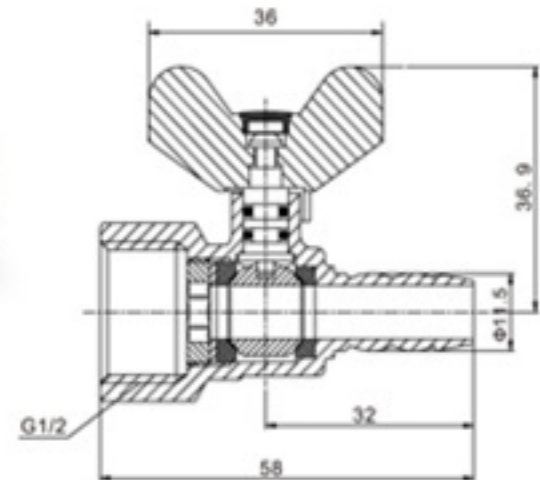
Technical specification

- 1. Nominal pressure: 1.0MPa
- 2. Working Medium: Water, Non-corrosive liquids
- 3. Working Temperature: -10°C ≤ t ≤ 80°C
- 4. Pipe thread conform to ISO 228 (GB/T7307)

DN	SIZE	A	B	C	D	E	F
10	3/8	42	24.9	8	24.3	G3/8	G3/8
15	1/2	47	26.6	10	24.3	G1/2	G1/2
20	3/4	55	30.1	14	24.3	G3/4	G3/4

253 黄铜燃气球阀 BRASS GAS BALL VALVE

RQJ-PN0.15/DN15



技术规范:

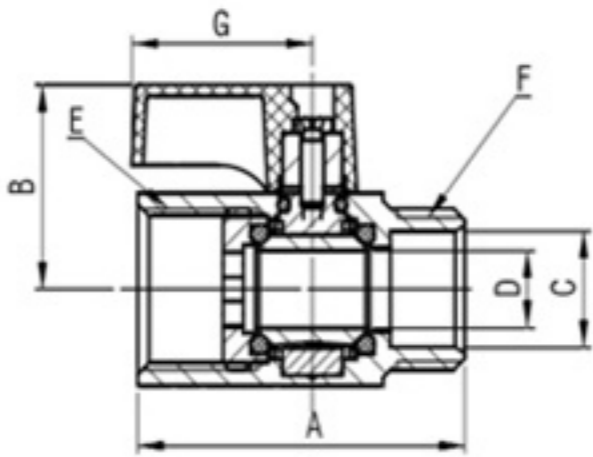
- 1. 工作压力: 0.015MPa
- 2. 工作介质: 民用城镇燃气
- 3. 工作温度: -20°C < t ≤ 60°C
- 4. 管螺纹符合ISO 228标准(GB/T7307)

Technical specification

- 1. Working pressure: 0.015MPa
- 2. Working Medium: City gas for civilian use
- 3. Working Temperature: -20°C < t ≤ 60°C
- 4. Pipe thread conform to ISO 228 (GB/T7307)

257 黄铜迷你小球阀 BRASS MINI BALL VALVE

Q31X-10T



技术规范:

- 1. 公称压力: 1.0MPa
- 2. 工作介质: 水、非腐蚀性液体
- 3. 工作温度: -10°C ≤ t ≤ 80°C
- 4. 管螺纹符合ISO 228标准(GB/T7307)

Technical specification

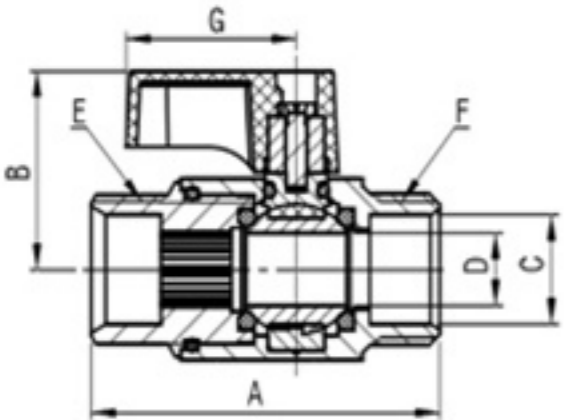
- 1. Nominal pressure: 1.0MPa
- 2. Working Medium: Water, Non-corrosive liquids
- 3. Working Temperature: -10°C ≤ t ≤ 80°C
- 4. Pipe thread conform to ISO 228 (GB/T7307)

注: 产品在满足常规管螺纹连接外, 经选配零件卡帽和卡圈后(☉和☺)还能满足相应规格的紫铜管连接
 Note: The products meet the conventional pipe thread connections, via optional parts (☉ and ☺) but also to meet the appropriate specifications copper connections

DN	SIZE	A	B	C	D	E	F	G
10	3/8	40	24.9	12.1	8	G3/8	G3/8	24.3
15	1/2	44	26.6	15.1	10	G1/2	G1/2	24.3
20	3/4	51	30.1	18.2	14	G3/4	G3/4	24.3

255 黄铜迷你小球阀 BRASS MINI BALL VALVE

Q21X-10T



技术规范:

- 1. 公称压力: 1.0MPa
- 2. 工作介质: 水、非腐蚀性液体
- 3. 工作温度: -10°C ≤ t ≤ 80°C
- 4. 管螺纹符合ISO 228标准(GB/T7307)

Technical specification

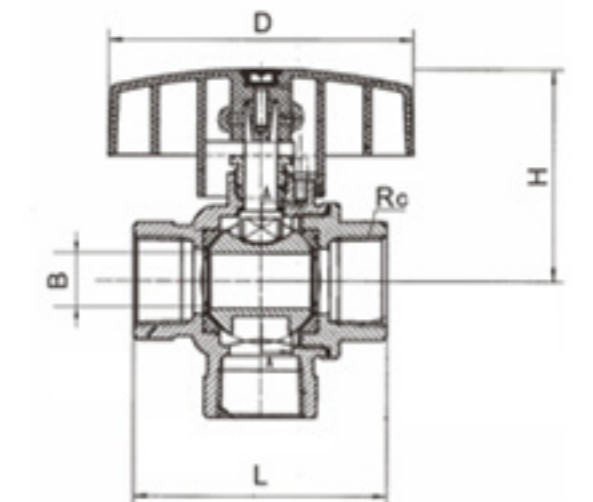
- 1. Nominal pressure: 1.0MPa
- 2. Working Medium: Water, Non-corrosive liquids
- 3. Working Temperature: -10°C ≤ t ≤ 80°C
- 4. Pipe thread conform to ISO 228 (GB/T7307)

注: 产品在满足常规管螺纹连接外, 经选配零件卡帽和卡圈后(☉和☺)还能满足相应规格的紫铜管连接
 Note: The products meet the conventional pipe thread connections, via optional parts (☉ and ☺) but also to meet the appropriate specifications copper connections

DN	SIZE	A	B	C	D	E	F	G
10	3/8	47.7	24.9	12.1	8	G3/8	G3/8	24.3
15	1/2	49.9	26.8	15.1	10	G1/2	G1/2	24.3
20	3/4	54.3	30.1	18.2	14	G3/4	G3/4	24.3

258 黄铜暖气三通球阀 BRASS THREE-WAY BALL VALVE (FOR HEATED-AIR USE)

Q15F-16T



技术规范:

- 1. 公称压力: 1.6MPa
- 2. 工作介质: 水
- 3. 工作温度: 0°C < t ≤ 110°C
- 4. 管螺纹符合ISO 7标准(GB/T7306.2)

Technical specification

- 1. Nominal pressure: 1.6MPa
- 2. Working Medium: Water
- 3. Working Temperature: 0°C < t ≤ 110°C
- 4. Pipe threads conform to ISO 7 standard (GB/T7306.2)

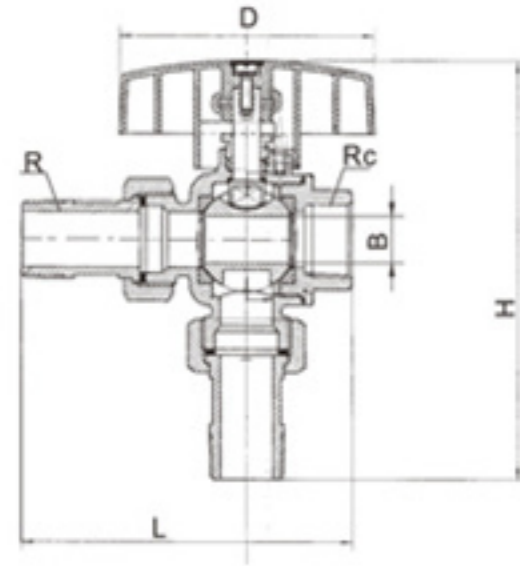
DN	SIZE	L	H	B	D
15	1/2	68	58	12	90
20	3/4	88	60	16	90
25	1	90	67.5	22	95

259/259A 黄铜暖气三通球阀 BRASS THREE-WAY BALL VALVE (FOR HEATED-AIR USE)

Q15F-16T



560



技术规范:

- 1. 公称压力: 1.6MPa
- 2. 工作介质: 水
- 3. 工作温度: $0^{\circ}\text{C} < t \leq 110^{\circ}\text{C}$
- 4. 管螺纹符合ISO 7标准 (GB/T7306.2)

Technical specification

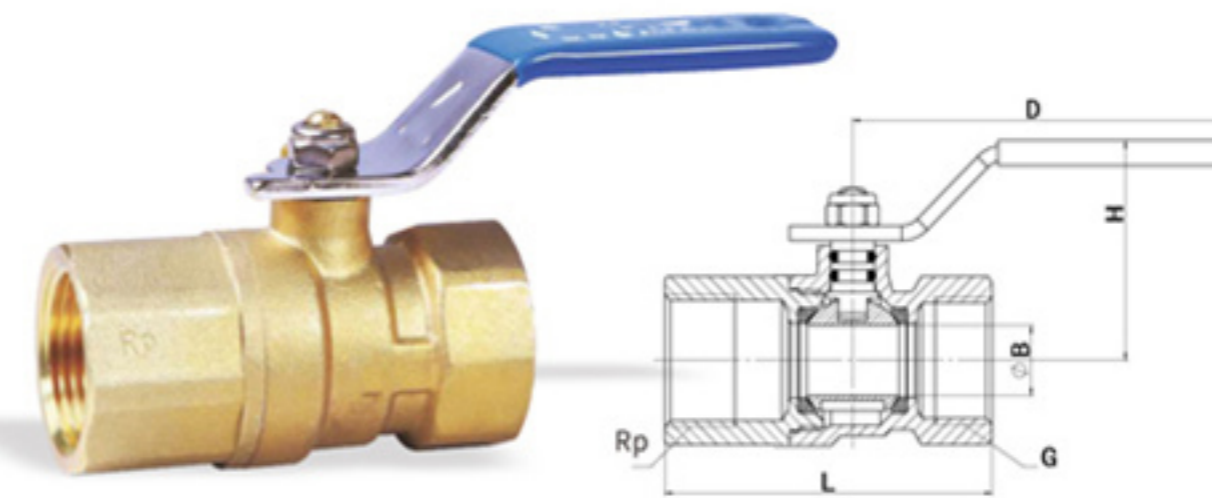
- 1. Nominal pressure: 1.6MPa
- 2. Working Medium: Water
- 3. Working Temperature: $0^{\circ}\text{C} < t \leq 110^{\circ}\text{C}$
- 4. Pipe threads conform to ISO 7 standard (GB/T7306.2)

注: 安装黄铜暖气三通球阀时, 应与560三通配套使用
Note: It should match with Model 560 tee fitting

代号	DN	SIZE	L	H	D	B
259	15	1/2	99	122.5	90	12
	20	3/4	114	135	90	16
	25	1	132	156	95	22
	32	1 1/4	160	193	95	27
259A	15	1/2	85	106	79	13.5
	20	3/4	99.5	124.5	87	17.5
	25	1	116	140	87	23

Q11F-20T

266L 黄铜球阀 BRASS BALL VALVE



技术规范:

- 1. 公称压力: 2.0MPa
- 2. 工作介质: 水、非腐蚀性液体、空气
- 3. 工作温度: $-20^{\circ}\text{C} \leq t \leq 110^{\circ}\text{C}$
- 4. 管螺纹符合ISO 228标准 (GB/T7307), ISO 7标准 (GB/T7306.1)。

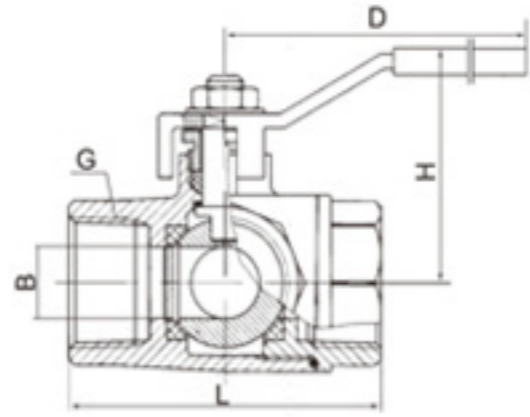
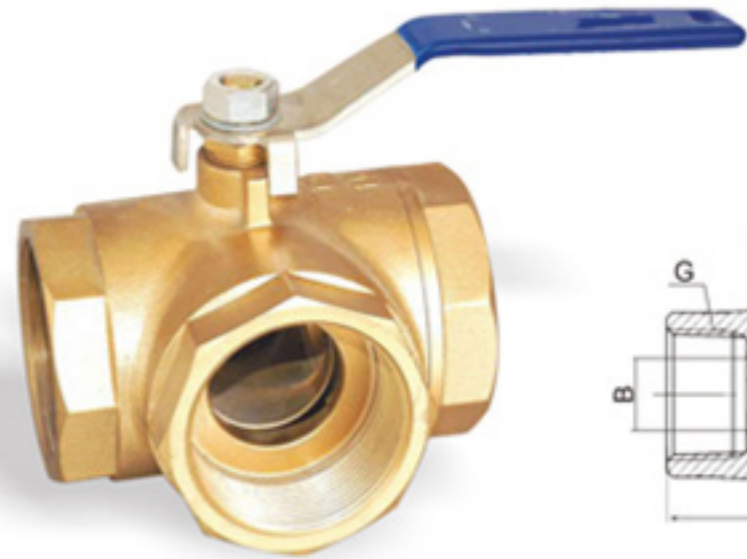
Technical specification

- 1. Nominal pressure: 2.0MPa
- 2. Working Medium: Water, non-corrosive liquid, air
- 3. Working Temperature: $-20^{\circ}\text{C} \leq t \leq 110^{\circ}\text{C}$
- 4. Pipe thread conform to ISO 228 (GB/T7307), ISO 7 (GB/T7306.1)。

DN	L	B	H	D	Rp	G
15	62.4	10	42	80	Rp1/2	G1/2
20	67.6	14	44	80	Rp3/4	G3/4
25	76.4	19	50.5	110	Rp1	G1

260 黄铜三通球阀 BRASS THREE-WAY BALL VALVE (L TYPE PORT)

Q14F-16T(L型)



技术规范:

- 1. 公称压力: 1.6MPa
- 2. 工作介质: 水、非腐蚀性液体、空气
- 3. 工作温度: $-20^{\circ}\text{C} \leq t \leq 110^{\circ}\text{C}$
- 4. 管螺纹符合ISO 228标准 (GB/T7307)

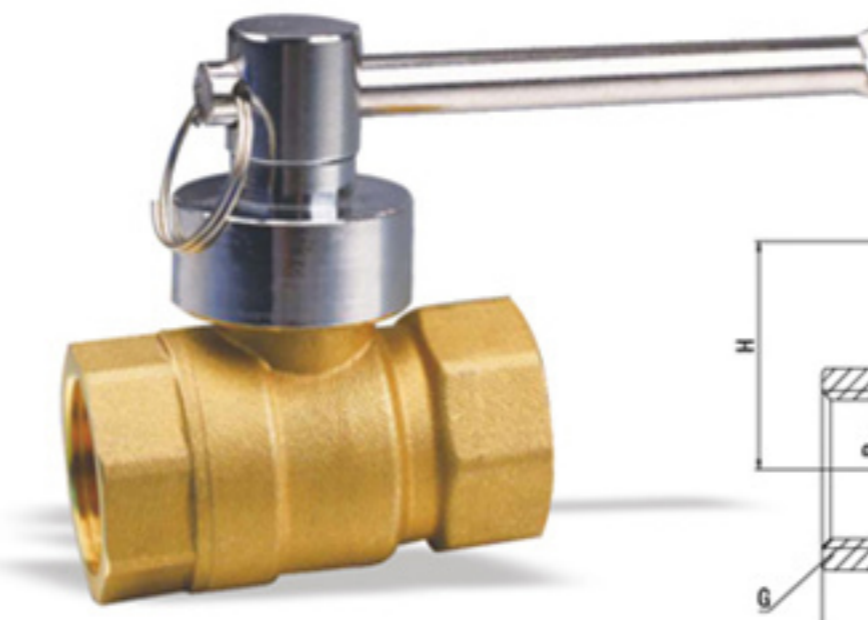
Technical specification

- 1. Nominal pressure: 1.6MPa
- 2. Working Medium: Water, non-corrosive liquid, non-corrosive air
- 3. Working Temperature: $-20^{\circ}\text{C} \leq t \leq 110^{\circ}\text{C}$
- 4. Pipe thread conform to ISO 228 (GB/T7307)

DN	SIZE	L	H	D	B
15	1/2	60.5	45	80	9
20	3/4	69	51	100	12.5
25	1	81.7	54	100	17
32	1 1/4	97	64	130	23
40	1 1/2	103	67.5	130	28
50	2	121	79.5	150	36

268 黄铜磁性带锁球阀 BRASS MAGNETIC LOCKABLE BALL VALVE

Q11F-16T



技术规范:

- 1. 公称压力: 1.6MPa
- 2. 工作介质: 水
- 3. 工作温度: $0^{\circ}\text{C} < t \leq 90^{\circ}\text{C}$
- 4. 管螺纹符合ISO 228标准 (GB/T7307)

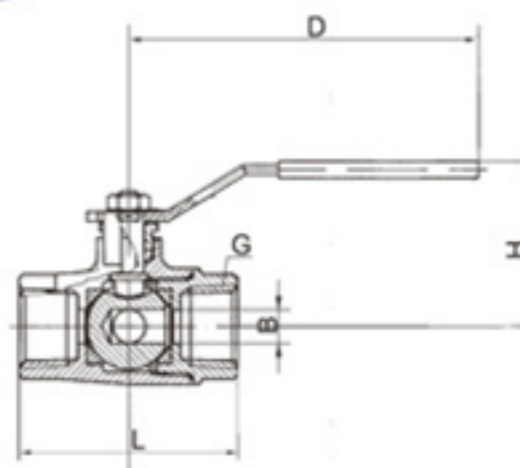
Technical specification

- 1. Nominal pressure: 1.6MPa
- 2. Working Medium: Water
- 3. Working Temperature: $0^{\circ}\text{C} < t \leq 90^{\circ}\text{C}$
- 4. Pipe thread conform to ISO 228 (GB/T7307)

DN	SIZE	L	B	H
15	1/2	53	12	30.5
20	3/4	60	17	31.5
25	1	70	20	35
32	1 1/4	82	27	42.5
40	1 1/2	96	35	47.5

262 黄铜三通球阀 BRASS THREE-WAY BALL VALVE (T TYPE PORT)

Q15F-16T(T型)



技术规范:

- 1. 公称压力: 1.6MPa
- 2. 工作介质: 水、非腐蚀性液体、空气
- 3. 工作温度: $-20^{\circ}\text{C} \leq t \leq 110^{\circ}\text{C}$
- 4. 管螺纹符合ISO 228标准 (GB/T7307)

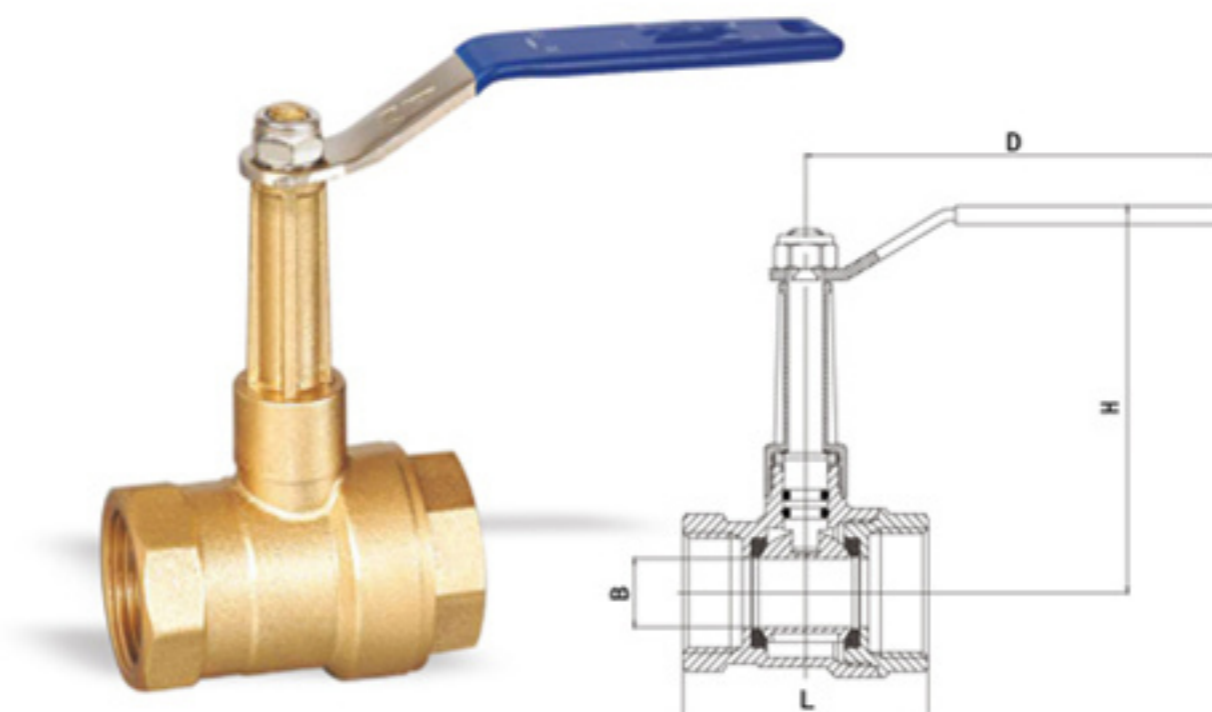
Technical specification

- 1. Nominal pressure: 1.6MPa
- 2. Working Medium: Water, non-corrosive liquid, air
- 3. Working Temperature: $-20^{\circ}\text{C} \leq t \leq 110^{\circ}\text{C}$
- 4. Pipe thread conform to ISO 228 (GB/T7307)

DN	SIZE	L	H	D	B
15	1/2	60.5	44	80	9
20	3/4	69	50	100	12.5
25	1	81.7	53.5	100	17
32	1 1/4	97	64	130	23
40	1 1/2	103	67.5	130	28
50	2	121	80.3	150	36

269 黄铜空调球阀 BRASS AIR-CONDITION BALL VALVE

Q11F-20T



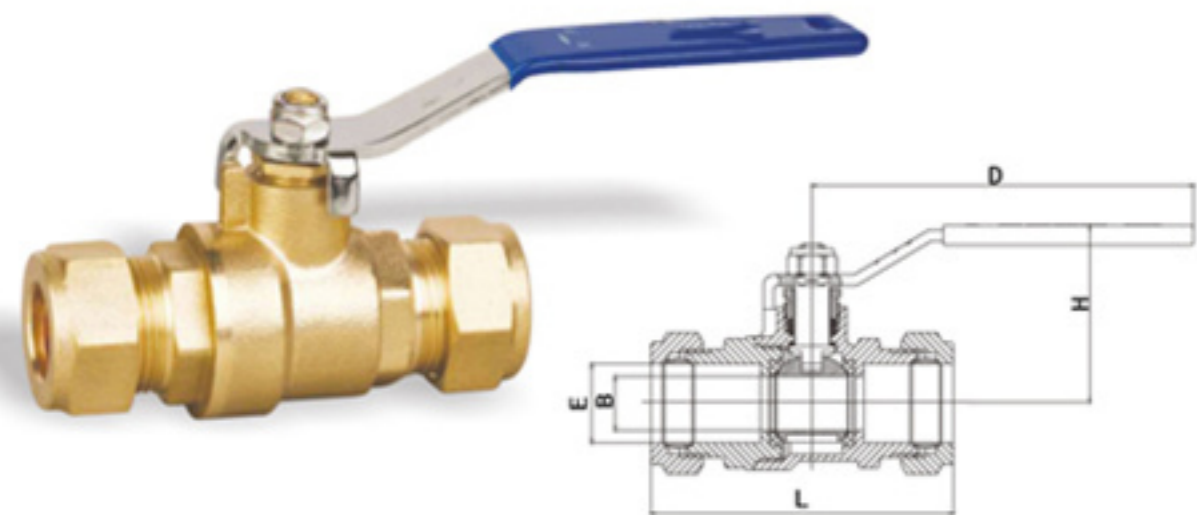
技术规范:

- 1. 公称压力: 2.0MPa
- 2. 工作介质: 水
- 3. 工作温度: $0^{\circ}\text{C} < t \leq 100^{\circ}\text{C}$
- 4. 管螺纹符合ISO 228标准 (GB/T7307)

Technical specification

- 1. Nominal pressure: 2.0MPa
- 2. Working Medium: Water
- 3. Working Temperature: $0^{\circ}\text{C} < t \leq 100^{\circ}\text{C}$
- 4. Pipe thread conform to ISO 228 (GB/T7307)

DN	SIZE	L	B	D	H
15	1/2	52.5	12.5	80	83.5
20	3/4	55.6	15	80	85.3
25	1	69	20	110	90.6
32	1 1/4	76.8	25	130	107
40	1 1/2	88.3	32	130	112.5



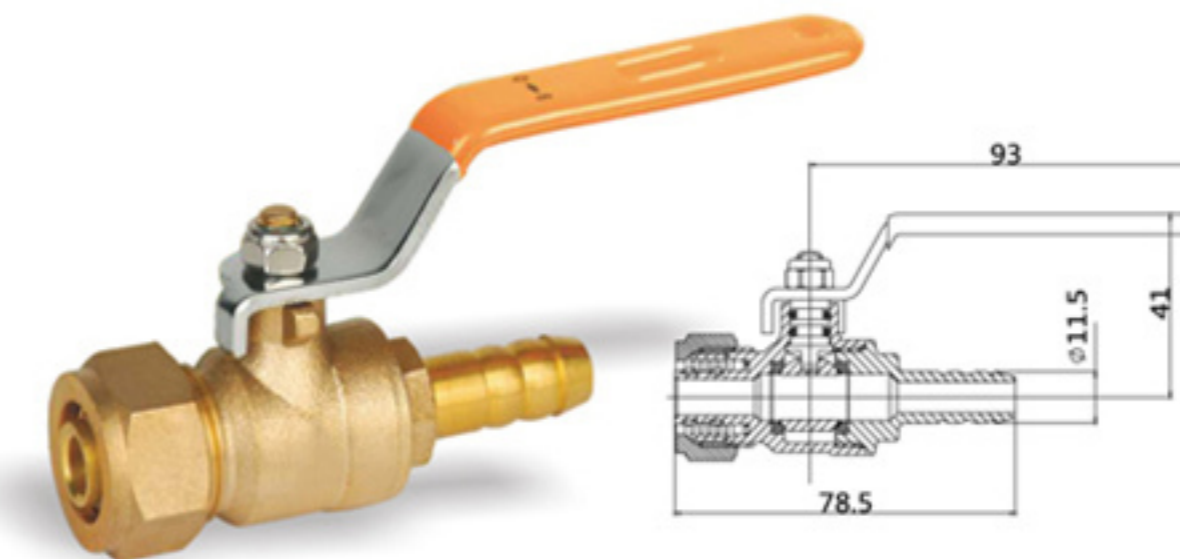
技术规范:

- 1. 公称压力: 1.6MPa
- 2. 工作介质: 水、非腐蚀性液体
- 3. 工作温度: $-20^{\circ}\text{C} \leq t \leq 110^{\circ}\text{C}$

Technical specification

- 1. Nominal pressure: 1.6MPa
- 2. Working Medium: Water, non-corrosive liquid
- 3. Working Temperature: $-20^{\circ}\text{C} \leq t \leq 110^{\circ}\text{C}$

SIZE	E	L	H	D	B
15	15	81	45.5	80	12.5
20	22	87	50	100	15
25	28	95	54	100	20

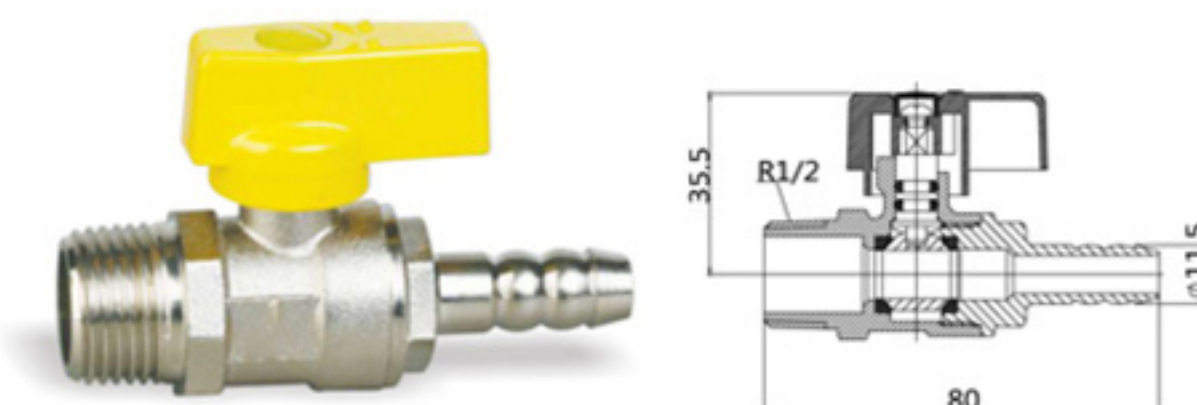


技术规范:

- 1. 工作压力: 0.4MPa
- 2. 工作介质: 民用城镇燃气
- 3. 工作温度: $-20^{\circ}\text{C} < t \leq 65^{\circ}\text{C}$
- 4. 与1216燃气铝塑管配套

Technical specification

- 1. Working pressure: 0.4MPa
- 2. Working Medium: City gas for civilian use
- 3. Working Temperature: $-20^{\circ}\text{C} < t \leq 65^{\circ}\text{C}$
- 4. With 1216 gas aluminum-plastic tubes

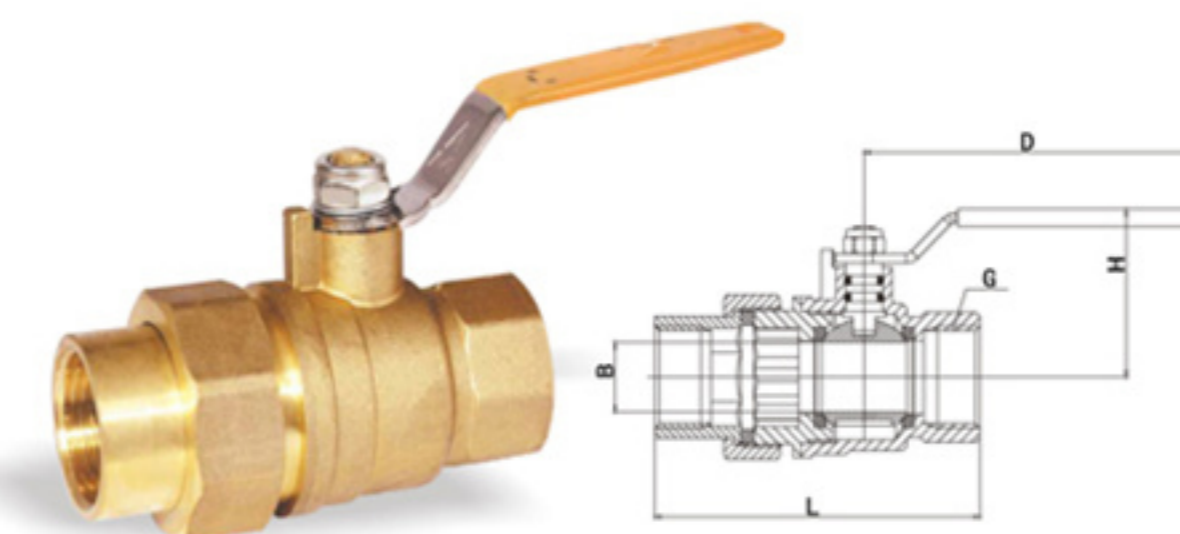


技术规范:

- 1. 公称压力: 1.6MPa
- 2. 工作介质: 硫化氢含量不大于20mg/m³的煤气、天然气、液化石油气及其混合气
- 3. 工作温度: $-20^{\circ}\text{C} < t \leq 65^{\circ}\text{C}$
- 4. 管螺纹符合ISO 7标准(GB/T7306.2)

Technical specification

- 1. Nominal pressure: 1.6MPa
- 2. Working Medium: Hydrogen sulfide content of not more than 20mg / m³ of gas, natural gas, liquefied petroleum gas and gas mixture
- 3. Working Temperature: $-20^{\circ}\text{C} < t \leq 65^{\circ}\text{C}$
- 4. Pipe thread conform to ISO 7 (GB/T7306.2)



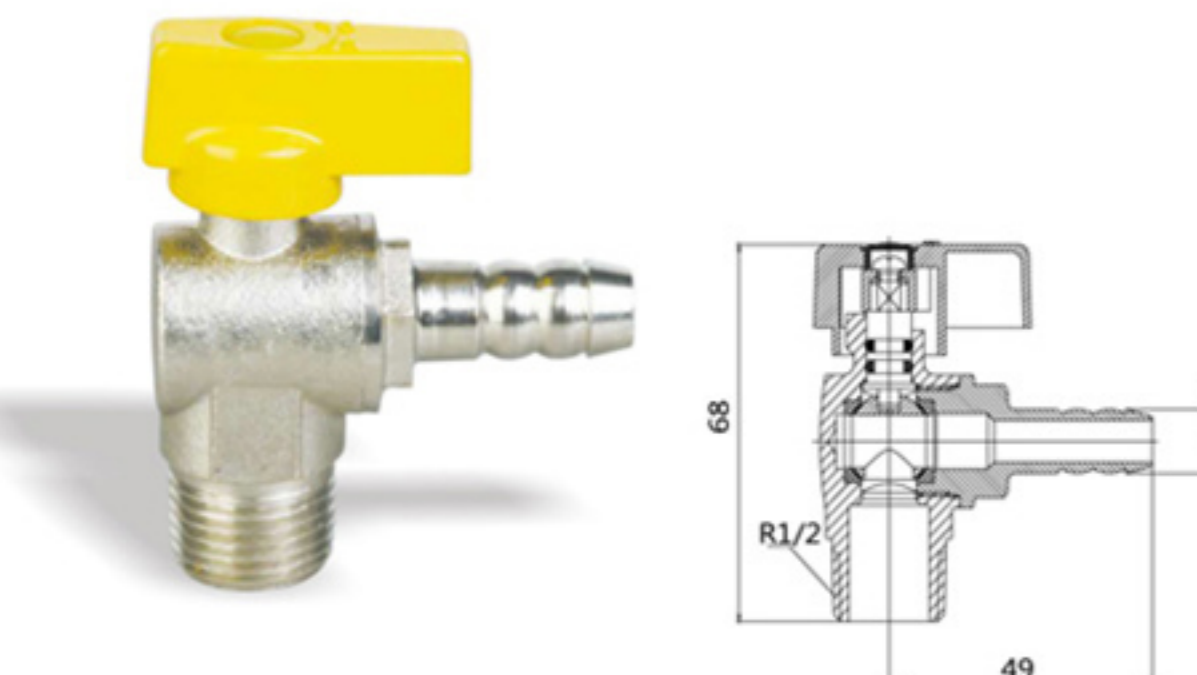
技术规范:

- 1. 公称压力: 2.0MPa
- 2. 工作介质: 水、非腐蚀性液体、空气
- 3. 工作温度: $-20^{\circ}\text{C} \leq t \leq 110^{\circ}\text{C}$
- 4. 管螺纹符合ISO 228标准(GB/T7307)

Technical specification

- 1. Nominal pressure: 2.0MPa
- 2. Working Medium: Water, non-corrosive liquid, air
- 3. Working Temperature: $-20^{\circ}\text{C} \leq t \leq 110^{\circ}\text{C}$
- 4. Pipe thread conform to ISO 228 (GB/T7307)

DN	SIZE	L	H	D	B
15	1/2	72.5	39.4	91	14
20	3/4	87	43.9	91	18
25	1	103.5	57.6	101	24

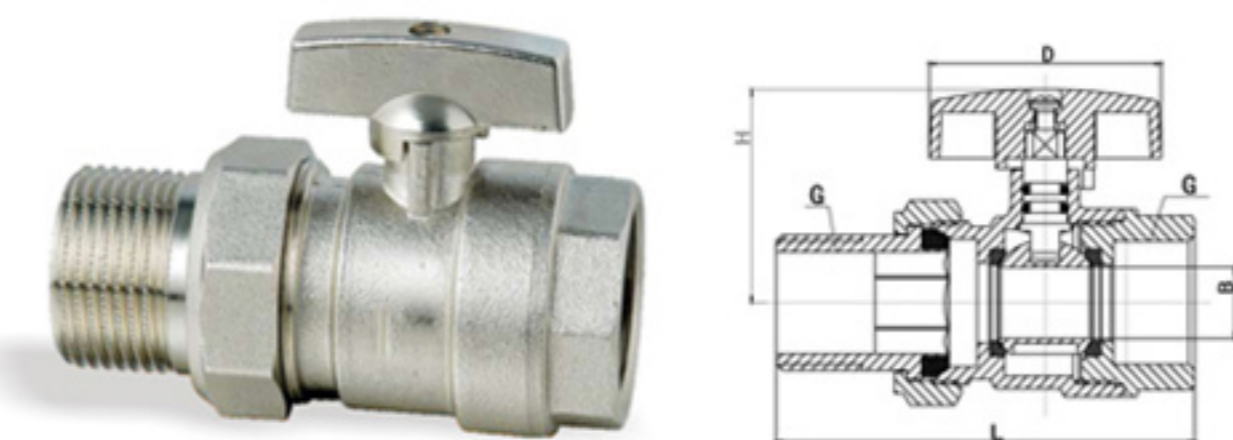


技术规范:

- 1. 公称压力: 1.6MPa
- 2. 工作介质: 硫化氢含量不大于20mg/m³的煤气、天然气、液化石油气及其混合气
- 3. 工作温度: $-20^{\circ}\text{C} < t \leq 65^{\circ}\text{C}$
- 4. 管螺纹符合ISO 7标准(GB/T7306.2)

Technical specification

- 1. Nominal pressure: 1.6MPa
- 2. Working Medium: Hydrogen sulfide content of not more than 20mg / m³ of gas, natural gas, liquefied petroleum gas and gas mixture
- 3. Working Temperature: $-20^{\circ}\text{C} < t \leq 65^{\circ}\text{C}$
- 4. Pipe thread conform to ISO 7 (GB/T7306.2)



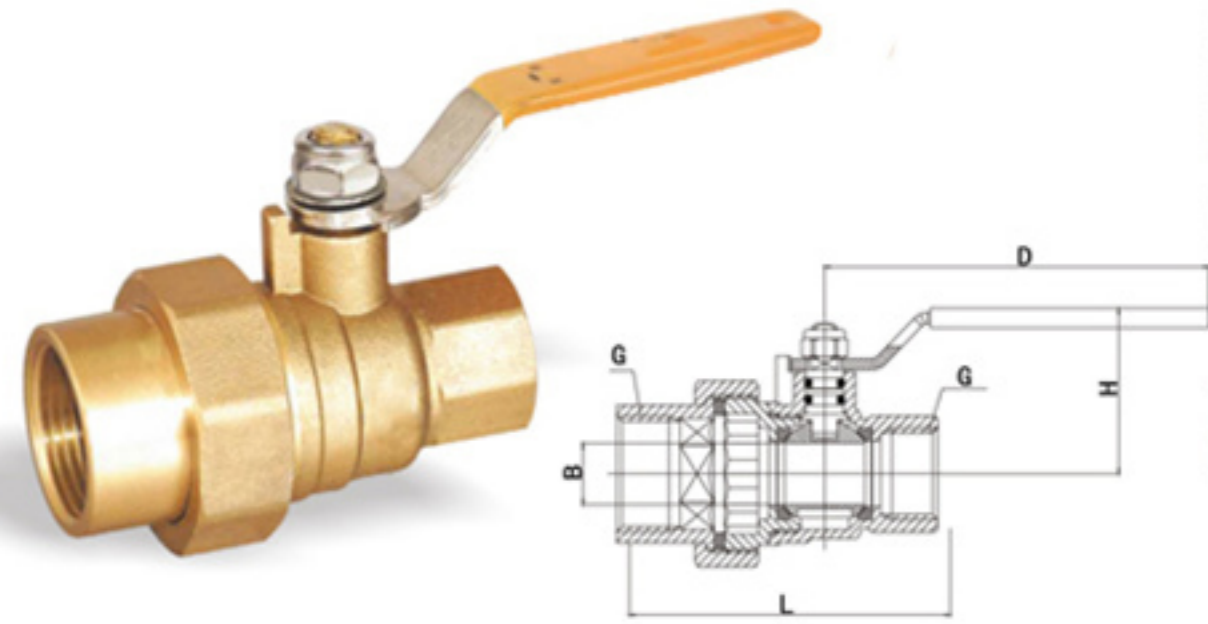
技术规范:

- 1. 公称压力: 1.6MPa
- 2. 工作介质: 水、非腐蚀性液体、空气
- 3. 工作温度: $-20^{\circ}\text{C} \leq t \leq 110^{\circ}\text{C}$
- 4. 管螺纹符合ISO 228标准(GB/T7307)

Technical specification

- 1. Nominal pressure: 1.6MPa
- 2. Working Medium: Water, non-corrosive liquid, air
- 3. Working Temperature: $-20^{\circ}\text{C} \leq t \leq 110^{\circ}\text{C}$
- 4. Pipe thread conform to ISO 228 (GB/T7307)

DN	SIZE	L	H	D	B
15	1/2	72	39	47	12.5
20	3/4	87	41.5	47	14
25	1	95	46	47	20



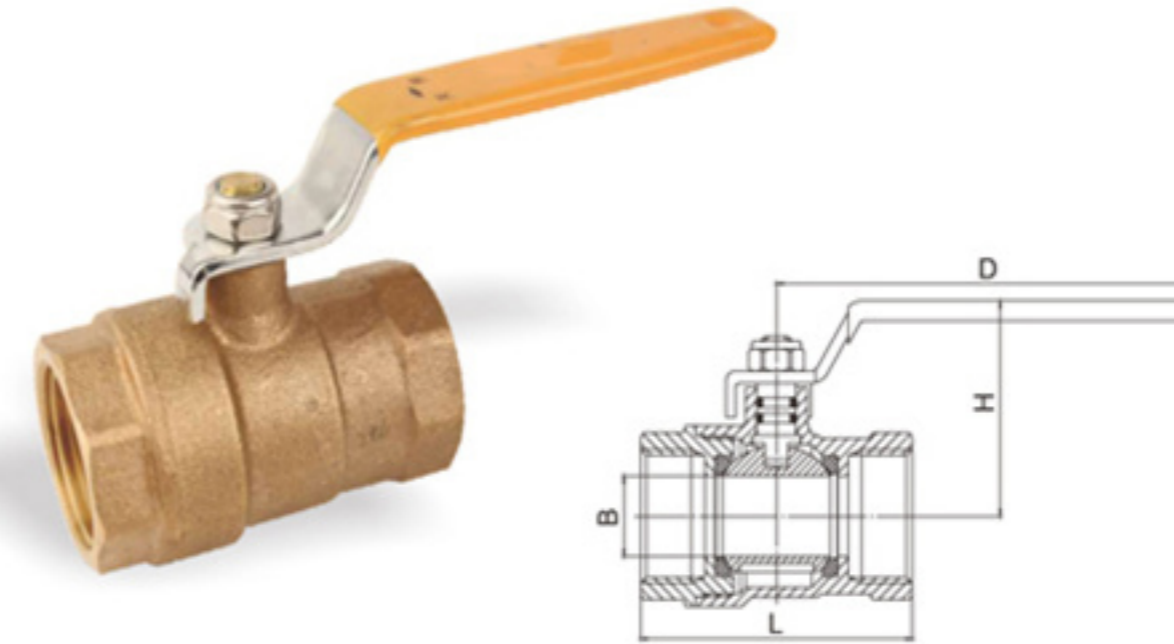
技术规范:

- 1. 公称压力: 2.0MPa
- 2. 工作介质: 水、非腐蚀性液体、空气
- 3. 工作温度: $-20^{\circ}\text{C} \leq t \leq 110^{\circ}\text{C}$
- 4. 管螺纹符合ISO 228标准(GB/T7307)

Technical specification

- 1. Nominal pressure: 2.0MPa
- 2. Working Medium: Water, non-corrosive liquid, air
- 3. Working Temperature: $-20^{\circ}\text{C} \leq t \leq 110^{\circ}\text{C}$
- 4. Pipe thread conform to ISO 228 (GB/T7307)

DN	SIZE	L	H	D	B
15X20	1/2X3/4	76	39	91	14



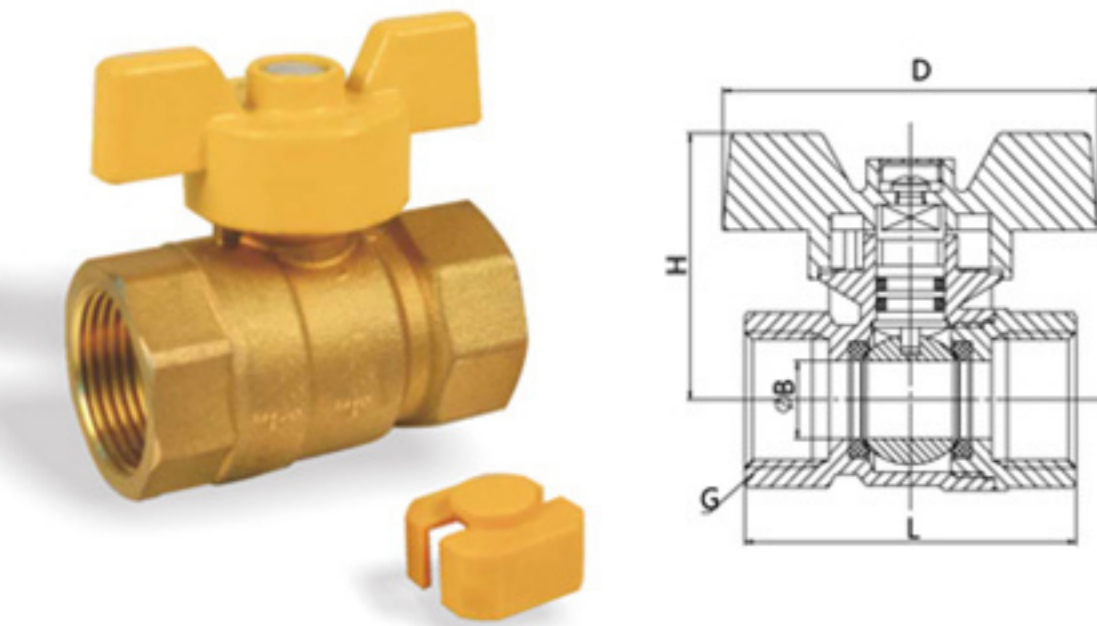
技术规范:

- 1. 公称压力: 2.0MPa
- 2. 工作介质: 水、非腐蚀性液体、饱和蒸汽
- 3. 工作温度: $-20^{\circ}\text{C} \leq t \leq 150^{\circ}\text{C}$
- 4. 管螺纹符合ISO 228标准(GB/T7307); DN65-100为Rc螺纹

Technical specification

- 1. Nominal pressure: 2.0MPa
- 2. Working Medium: Water, non-corrosive liquid or saturated steam
- 3. Working Temperature: $-20^{\circ}\text{C} \leq t \leq 150^{\circ}\text{C}$
- 4. Pipe thread conform to ISO 228 (GB/T7307); DN65 to 100 are RC threads

型号	DN	SIZE	L	B	H	D
286	15	1/2	53	12.5	44.5	93
	20	3/4	56.5	15	47	93
	25	1	70	20	53.5	109
	32	1 1/4	76	25	61.5	109
	40	1 1/2	86	32	75	131
	50	2	101	40	82	131
	65	2 1/2	134	50	97.3	178
	80	3	158.5	65	112	196
100	4	191.5	80	135	227	



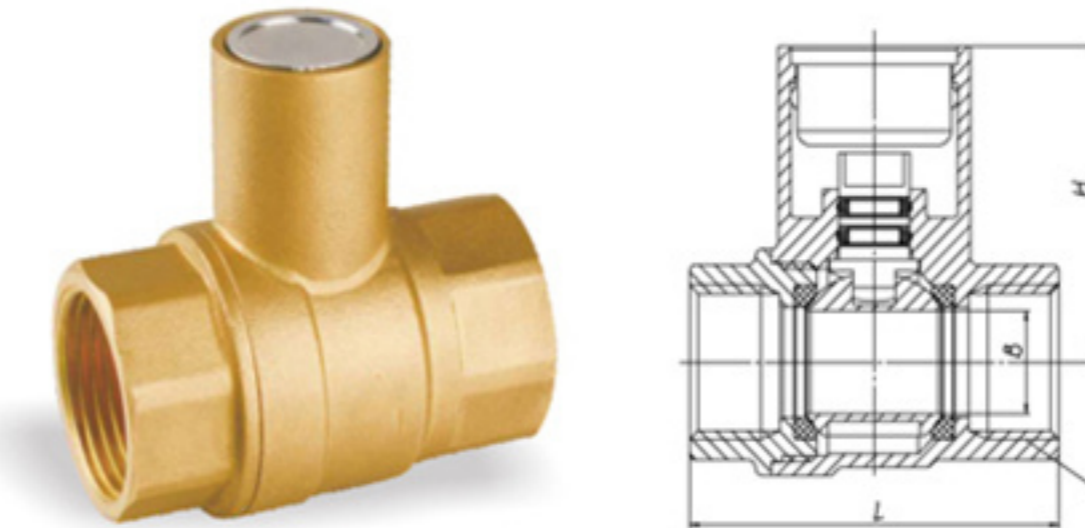
技术规范:

- 1. 公称压力: 1.6MPa
- 2. 工作介质: 水
- 3. 工作温度: $0^{\circ}\text{C} < t \leq 90^{\circ}\text{C}$
- 4. 管螺纹符合ISO 228标准(GB/T7307)

Technical specification

- 1. Nominal pressure: 1.6MPa
- 2. Working Medium: Water
- 3. Working Temperature: $0^{\circ}\text{C} < t \leq 90^{\circ}\text{C}$
- 4. Pipe thread conform to ISO 228 (GB/T7307)

DN	SIZE	L	B	H	D
15	1/2	53	12	41.2	60
20	3/4	60	17	44.2	60
25	1	70	20	48.2	63



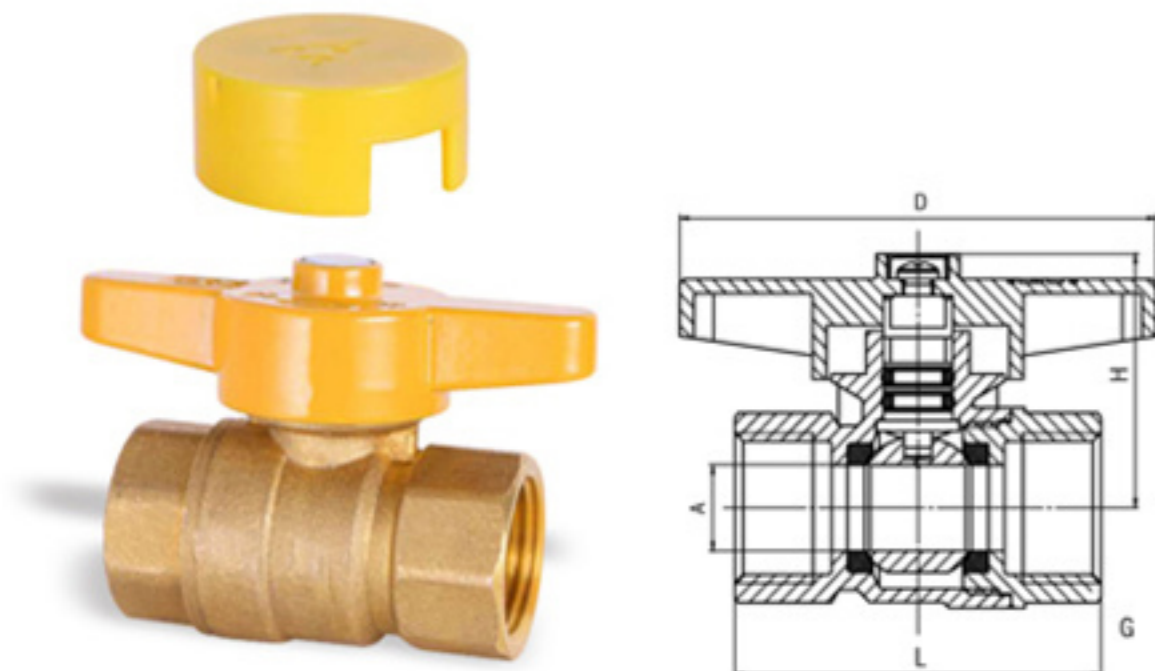
技术规范:

- 1. 公称压力: 1.6MPa
- 2. 工作介质: 水
- 3. 工作温度: $0^{\circ}\text{C} < t \leq 90^{\circ}\text{C}$
- 4. 管螺纹符合ISO 228标准(GB/T7307)

Technical specification

- 1. Nominal pressure: 1.6MPa
- 2. Working Medium: Water
- 3. Working Temperature: $0^{\circ}\text{C} < t \leq 90^{\circ}\text{C}$
- 4. Pipe thread conform to ISO 228 (GB/T7307)

DN	SIZE	L	B	H
15	1/2	52	14	43
20	3/4	61	19	48
25	1	71	24	51
32	1 1/4	83	31	57
40	1 1/2	92.5	39	64



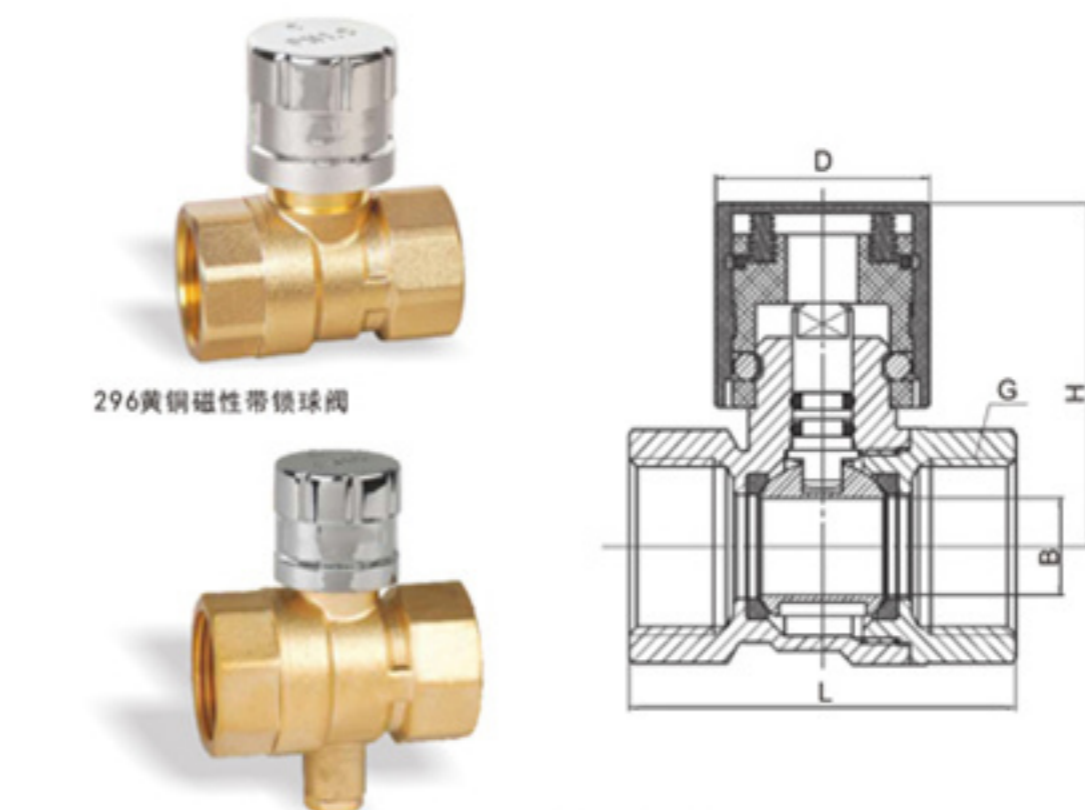
技术规范:

- 1. 公称压力: 1.6MPa
- 2. 工作介质: 水
- 3. 工作温度: $0^{\circ}\text{C} < t \leq 90^{\circ}\text{C}$
- 4. 管螺纹符合ISO 228标准(GB/T 7307)

Technical specification

- 1. Nominal pressure: 1.6MPa
- 2. Working Medium: Water
- 3. Working Temperature: $0^{\circ}\text{C} < t \leq 90^{\circ}\text{C}$
- 4. Pipe thread conform to ISO 228 (GB/T7307)

DN	L	H	D	A	G
15	53	35.5	69	12	G1/2
20	60	38.8	69	15	G3/4
25	68.2	41.8	69	20	G1



技术规范:

- 1. 公称压力: 1.6MPa
- 2. 工作介质: 水
- 3. 工作温度: $0^{\circ}\text{C} < t \leq 90^{\circ}\text{C}$
- 4. 管螺纹符合ISO 228标准(GB/T7307)

Technical specification

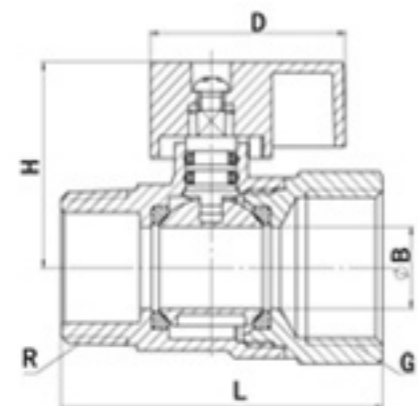
- 1. Nominal pressure: 1.6MPa
- 2. Working Medium: Water
- 3. Working Temperature: $0^{\circ}\text{C} < t \leq 90^{\circ}\text{C}$
- 4. Pipe thread conform to ISO 228 (GB/T7307)

注: 测温杆头部深度尺寸包括了连接螺纹总长

DN	SIZE	L	B	H	D	连接螺 纹	测温杆头 部直径	测温杆头 部深度	连接螺 纹有效长度
15	1/2	51	10	44.7	32	M10X1	$\leq \phi 6\text{mm}$	$\leq 36.5\text{mm}$	8.5mm
20	3/4	57.6	14	49	32	M10X1	$\leq \phi 6\text{mm}$	$\leq 37.5\text{mm}$	8.5mm
25	1	67	19	53	32	M10X1	$\leq \phi 6\text{mm}$	$\leq 40.5\text{mm}$	8.5mm
32	1 1/4	77	24	57	32	M10X1	$\leq \phi 6\text{mm}$	$\leq 43\text{mm}$	8.5mm
40	1 1/2	87.5	31	62	32	M10X1	$\leq \phi 6\text{mm}$	$\leq 51\text{mm}$	8.5mm

297B 黄铜球阀 BRASS BALL VALVE

Q31F-16T



技术规范:

- 1. 公称压力: 1.6MPa
- 2. 工作介质: 水、非腐蚀性液体
- 3. 工作温度: $-10^{\circ}\text{C} \leq t \leq 80^{\circ}\text{C}$
- 4. 管螺纹符合ISO 228标准(GB/T7307), ISO 7标准(GB/T7306.2)

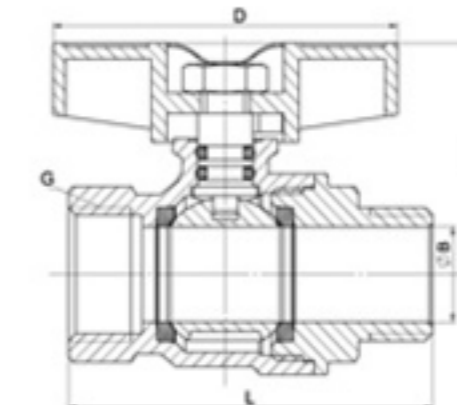
Technical specification

- 1. Nominal pressure: 1.6MPa
- 2. Working Medium: Water, non-corrosive liquid
- 3. Working Temperature: $-10^{\circ}\text{C} \leq t \leq 80^{\circ}\text{C}$
- 4. Pipe thread conform to ISO 228 (GB/T7307), ISO 7 (GB/T7306.2)

DN	SIZE	L	B	D	H	R	G
15	1/2	53	10	35	29	1/2	1/2
20	3/4	57	14	35	35	3/4	3/4

2217 黄铜内外螺纹蝶柄球阀 BRASS BALL VALVE WITH ADJUSTABLE HANDLE AND INTERNAL THREAD

Q31F-20T www.finio.cn



技术规范:

- 1. 公称压力: 2.0MPa
- 2. 工作介质: 气、油、水
- 3. 工作温度: $-20^{\circ}\text{C} \leq t \leq 120^{\circ}\text{C}$
- 4. 管螺纹符合ISO 228标准(GB/T7307)

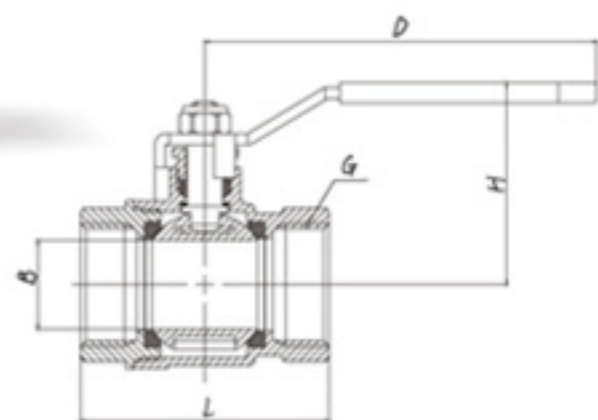
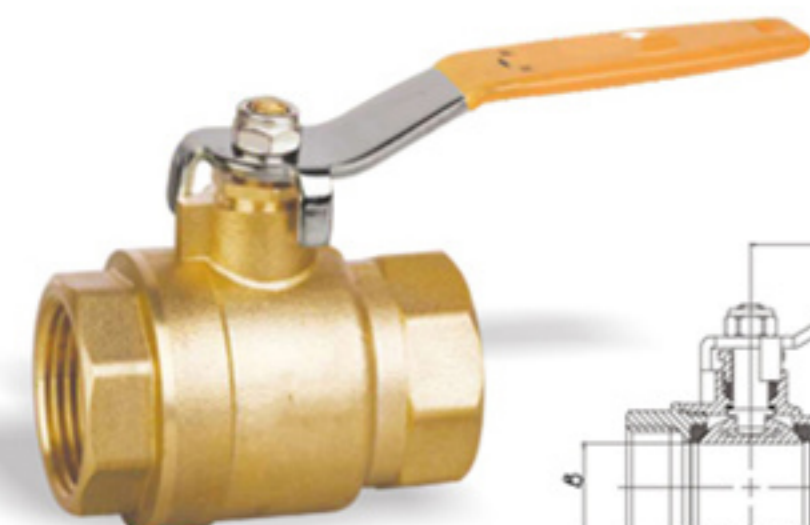
Technical specification

- 1. Nominal pressure: 2.0MPa
- 2. Working Medium: air, Water, oil
- 3. Working Temperature: $-20^{\circ}\text{C} \leq t \leq 120^{\circ}\text{C}$
- 4. Pipe thread conform to ISO 228 (GB/T7307)

DN	SIZE	L	H	B	D	G
15	1/2	59.2	36.3	15	56	1/2
20	3/4	67.5	40.3	20	56	3/4
25	1	80	43.8	25	69	1

298 黄铜球阀 (足通孔) BRASS BALL VALVE (FULL-PORT)

Q11F-20T



技术规范:

- 1. 公称压力: 2.0MPa
- 2. 工作介质: 水、非腐蚀性液体、饱和蒸汽
- 3. 工作温度: $0^{\circ}\text{C} < t \leq 150^{\circ}\text{C}$
- 4. 管螺纹符合ISO 228标准(GB/T7307)

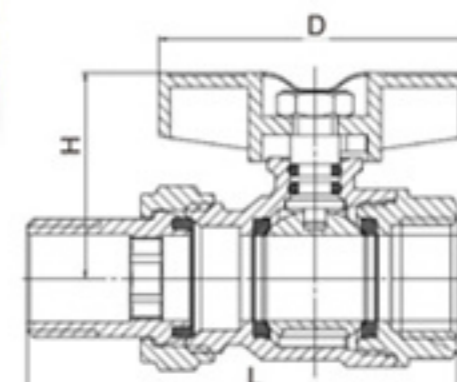
Technical specification

- 1. Nominal pressure: 2.0MPa
- 2. Working Medium: Water, non-corrosive liquid or saturated steam
- 3. Working Temperature: $0^{\circ}\text{C} < t \leq 150^{\circ}\text{C}$
- 4. Pipe thread conform to ISO 228 (GB/T7307)

DN	SIZE	L	B	D	H
15	1/2	51	14	80	46
20	3/4	60	19	100	53
25	1	70	24	100	56
32	1 1/4	84	31	130	67
40	1 1/2	93.8	39	130	73
50	2	113.4	50	150	86

2218 黄铜活接内外螺纹蝶柄球阀 BRASS LOOSE BALL VALVE WITH ADJUSTABLE HANDLE, INTERNAL AND EXTERNAL THREAD

Q31F-20T



技术规范:

- 1. 公称压力: 2.0MPa
- 2. 工作介质: 气、油、水
- 3. 工作温度: $-20^{\circ}\text{C} \leq t \leq 120^{\circ}\text{C}$
- 4. 管螺纹符合ISO 228标准(GB/T7307)

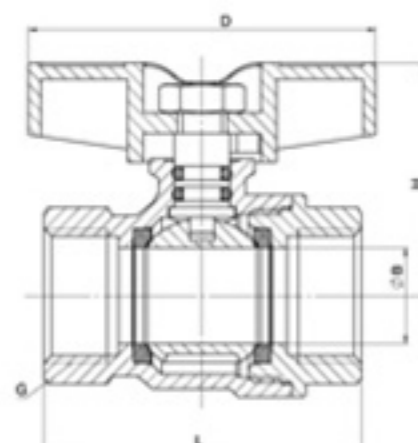
Technical specification

- 1. Nominal pressure: 2.0MPa
- 2. Working Medium: air, Water, oil
- 3. Working Temperature: $-20^{\circ}\text{C} \leq t \leq 120^{\circ}\text{C}$
- 4. Pipe thread conform to ISO 228 (GB/T7307)

DN	SIZE	L	H	B	D	G
15	1/2	77	36.3	15	56	1/2
20	3/4	87	40.3	20	56	3/4
25	1	104	43.8	25	69	1

2216 黄铜内螺纹蝶柄球阀 BRASS BALL VALVE (FULL-PORT)

Q11F-20T



技术规范:

- 1. 公称压力: 2.0MPa
- 2. 工作介质: 气、油、水
- 3. 工作温度: $-20^{\circ}\text{C} \leq t \leq 120^{\circ}\text{C}$
- 4. 管螺纹符合ISO 228标准(GB/T7307)

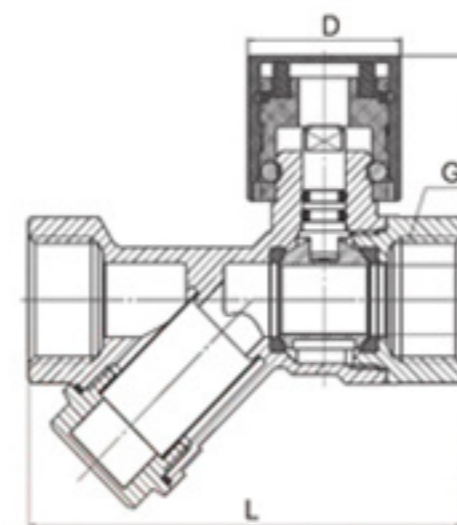
Technical specification

- 1. Nominal pressure: 2.0MPa
- 2. Working Medium: air, Water, oil
- 3. Working Temperature: $-20^{\circ}\text{C} \leq t \leq 120^{\circ}\text{C}$
- 4. Pipe thread conform to ISO 228 (GB/T7307)

DN	SIZE	L	H	B	D	G
15	1/2	51.2	36.3	15	56	1/2
20	3/4	60.5	40.3	20	56	3/4
25	1	69.5	43.8	25	69	1

696/696A/696B 黄铜磁性带锁(测温)过滤器球阀 BRASS MAGNETIC LOCKABLE BALL VALVE WITH STRAINER

Q11F-16T



技术规范:

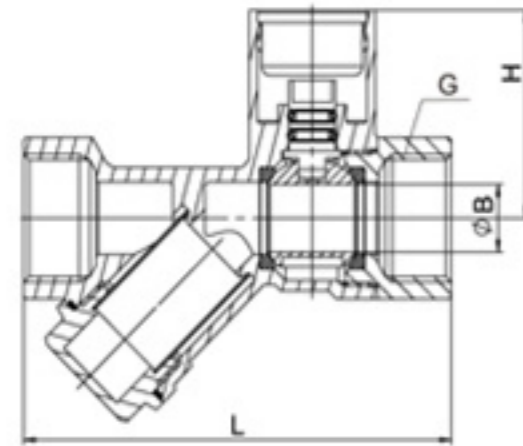
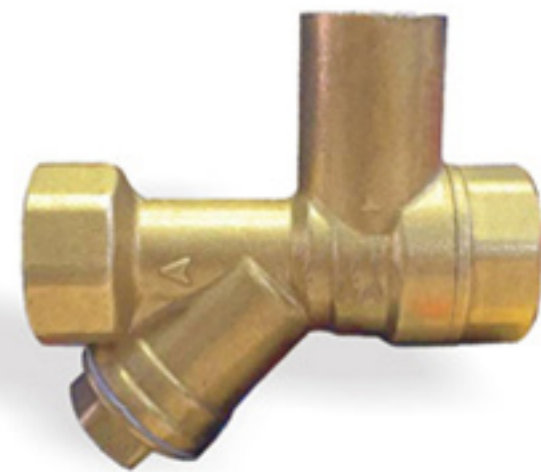
- 1. 公称压力: 1.6MPa
- 2. 工作介质: 水
- 3. 工作温度: $0^{\circ}\text{C} < t \leq 90^{\circ}\text{C}$
- 4. 管螺纹符合ISO 228标准(GB/T7307)

Technical specification

- 1. Nominal pressure: 1.6MPa
- 2. Working Medium: Water
- 3. Working Temperature: $0^{\circ}\text{C} < t \leq 90^{\circ}\text{C}$
- 4. Pipe thread conform to ISO 228 (GB/T7307)

注: 测温杆头部深度尺寸包括了连接螺纹总长

DN	SIZE	D	H	B	L (目数)	DN	连接端螺纹	测温杆头部直径	测温杆头部深度	连接螺纹有效长度
15	1/2	32	44.5	10	74.8	15	M10X1	$\leq 6\text{mm}$	$\leq 36.5\text{mm}$	8.5mm
20	3/4	32	49	14	90.5	20	M10X1	$\leq 6\text{mm}$	$\leq 37.5\text{mm}$	8.5mm
25	1	32	53	19	110	25	M10X1	$\leq 6\text{mm}$	$\leq 40.5\text{mm}$	8.5mm
32	1 1/4	32	57	24	133.5	30	M10X1	$\leq 6\text{mm}$	$\leq 43\text{mm}$	8.5mm
40	1 1/2	32	62	31	145	40	M10X1	$\leq 6\text{mm}$	$\leq 51\text{mm}$	8.5mm



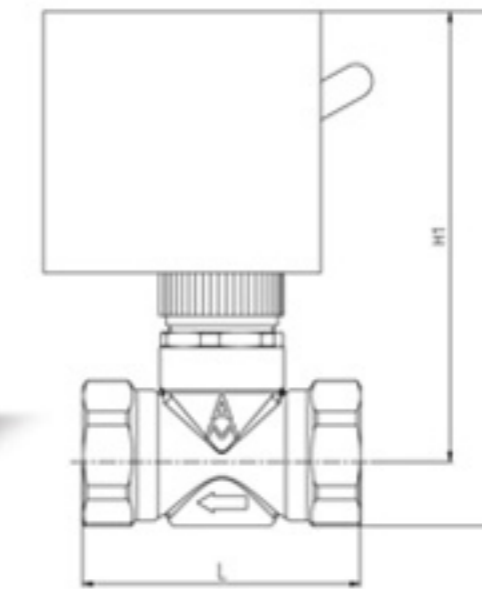
技术规范:

- 1. 公称压力: 1.6MPa
- 2. 工作介质: 水
- 3. 工作温度: 0°C < t ≤ 90°C
- 4. 管螺纹符合ISO 228标准(GB/T7307)

Technical specification

- 1. Nominal pressure: 1.6MPa
- 2. Working Medium: Water
- 3. Working Temperature: 0°C < t ≤ 90°C
- 4. Pipe thread conform to ISO 228 (GB/T7307)

DN	SIZE	H	B	L
20	1/2	43	14	91.6
25	3/4	48	19	110
32	1	50.7	24	133.6



技术规范:

- 1. 公称压力: 1.6MPa
- 2. 工作介质: 冷, 热水
- 3. 工作温度: 0°C < t ≤ 90°C
- 4. 启闭时间: ≤ 20秒
- 5. 管螺纹符合ISO 228标准(GB/T7307)

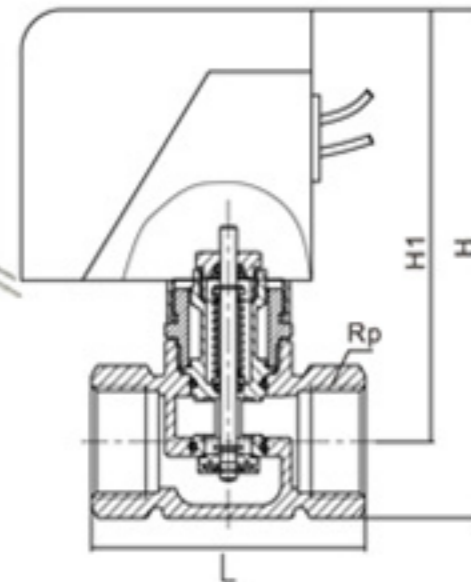
Technical specification

- 1. Nominal pressure: 1.6MPa
- 2. Working Medium: cold and hot water
- 3. Working Temperature: 0°C < t ≤ 90°C
- 4. Opening and closing time: ≤ 20 seconds
- 5. Pipe thread conform to ISO 228 (GB/T7307)

注: 电气规格: AC220V, 50/60Hz

Note: Electrical specifications: AC220V 50/60Hz

DN	SIZE	L	H	H1	流量系数 Kv	最大工作压力
15	Rp1/2	55	119	104	1.5	0.3MPa
20	Rp3/4	67	120	104	2.2	0.3MPa
25	Rp1	75	128	108	3.7	0.18MPa



产品概述:

706电动二通阀由驱动器和黄铜阀门组成, 适用于一般暖通空调风盘管及空调末端热水和冷却水系统控制。单向旋转同步电机驱动阀门工作, 不工作时弹簧复位, 阀门处于常闭状态。产品占用外部空间小, 可贴近墙面安装, 工作噪音低, 接线灵活, 方便、可靠耐用, 在系统调试及维护时可以手动控制。

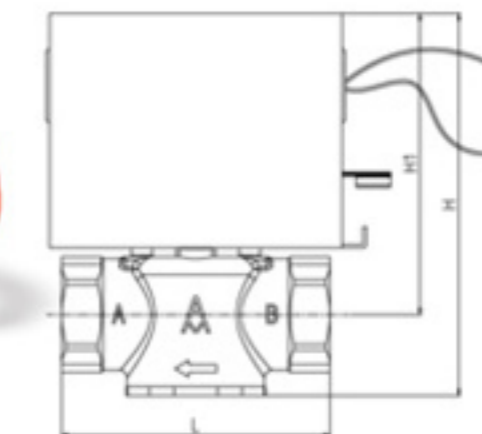
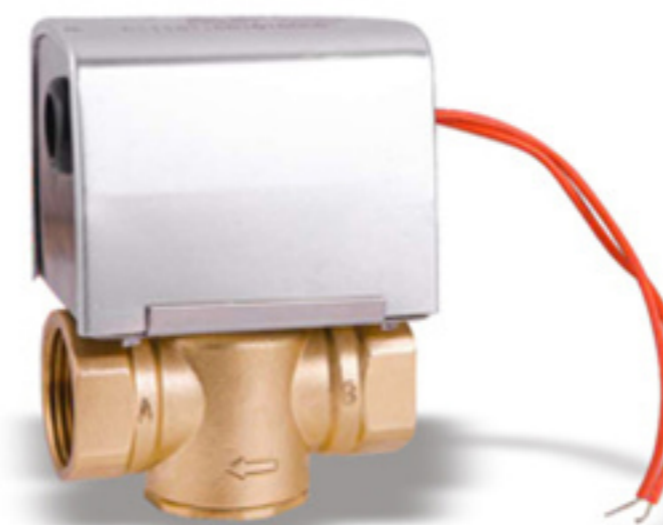
技术规范:

- 1. 公称压力: 1.6MPa
- 2. 工作温度: 2°C < t ≤ 94°C
- 3. 工作介质: 水, 乙二醇 (浓度 < 60%)
- 4. 电机电压: AC220V
- 5. 电机频率: 50/60Hz
- 6. 功率: 6W
- 7. 管螺纹符合ISO 7标准(GB/T7306.1)

Technical specification

- 1. Normal pressure: 1.6MPa
- 2. Working temperature: 2°C-94°C
- 3. Working medium: Water, Ethanol (concentration < 60%)
- 4. Motor voltage: AC220V
- 5. Motor frequency: 50/60Hz
- 6. power: 6W
- 7. Pipe thread conform to ISO 7 (GB/T7306.1)

DN	SIZE	连接螺纹	L	H	H1	最大压差
15	1/2	Rp1/2"	55	119	103	0.25mpa
20	3/4	Rp3/4"	67	121	104	0.1mpa
25	1	Rp1"	75	128	107	0.08mpa



技术规范:

- 1. 公称压力: 1.6MPa
- 2. 工作介质: 冷, 热水
- 3. 工作温度: 0°C < t ≤ 90°C
- 4. 启闭时间: ≤ 18秒
- 5. 管螺纹符合ISO 228标准(GB/T7307)

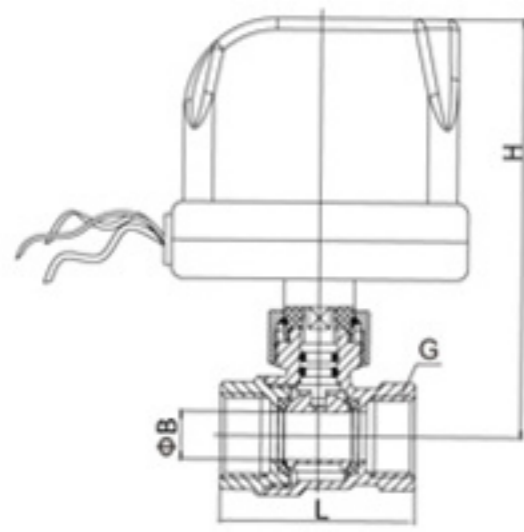
Technical specification

- 1. Nominal pressure: 1.6MPa
- 2. Working Medium: cold and hot water
- 3. Working Temperature: 0°C < t ≤ 90°C
- 4. Opening and closing time: ≤ 18 seconds
- 5. Pipe thread conform to ISO 228 (GB/T7307)

注: 电气规格: AC220V, 50/60Hz

Note: Electrical specifications: AC220V 50/60Hz

DN	SIZE	L	H	H1	流量系数 Kv	最大工作压力
15	G 1/2	69	105	84	1.4	0.3MPa
20	G 3/4	77	105	84	2.0	0.3MPa
25	G 1	83	110	85	3.5	0.2MPa



技术规范:

- 1. 公称压力: 1.6MPa
- 2. 工作介质: 水, 非腐蚀性液体
- 3. 工作温度: 0°C < t ≤ 110°C
- 4. 管螺纹符合ISO 228标准(GB/T7307)

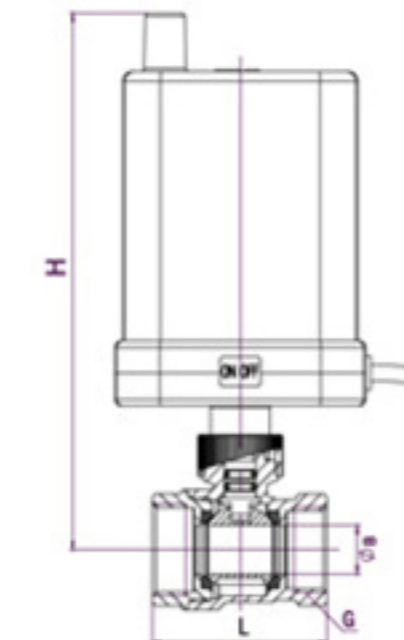
Technical specification

- 1. Nominal pressure: 1.6MPa
- 2. Working Medium: Water, non-corrosive liquid
- 3. Working Temperature: 0°C < t ≤ 110°C
- 4. Pipe thread conform to ISO 228 (GB/T7307)

注: 电机电压为AC220V 50Hz

Note: The motor voltage is AC220V 50Hz

DN	SIZE	L	H	B
15	1/2	52.5	109	12.5
20	3/4	55.5	112	15
25	1	69	116	20
32	1 1/4	76	125	24



技术规范:

- 1. 公称压力: 1.6MPa
- 2. 工作介质: 水, 非腐蚀性液体
- 3. 工作温度: 0°C < t ≤ 110°C

Technical specification

- 1. Nominal pressure: 1.6MPa
- 2. Working Medium: Water, non-corrosive liquid
- 3. Working Temperature: 0°C < t ≤ 110°C

DN	SIZE	L	H	B
15	1/2	52.5	162	12.5
20	3/4	55.5	165	15
25	1	69	169	20

锁紧螺母 LOCK NUT



手轮 HAND WHEEL



压紧螺母 GLAND NUT



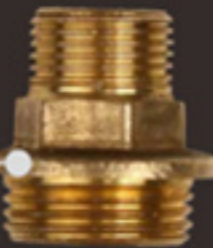
压圈 PRESSURE RING



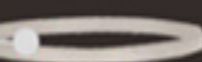
填料 PACKING



阀盖 BONNET



口面垫圈 WASHER



阀杆 VALVE STEM



阀瓣座 VALVE SEAT



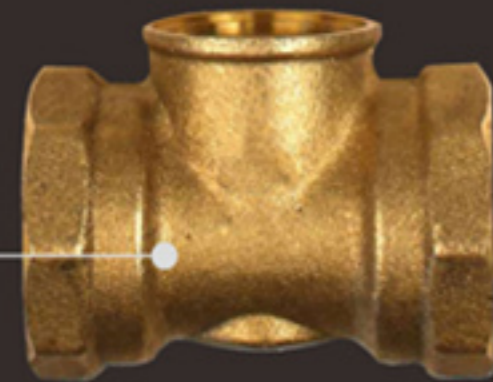
阀瓣 DISC



螺母 NUT



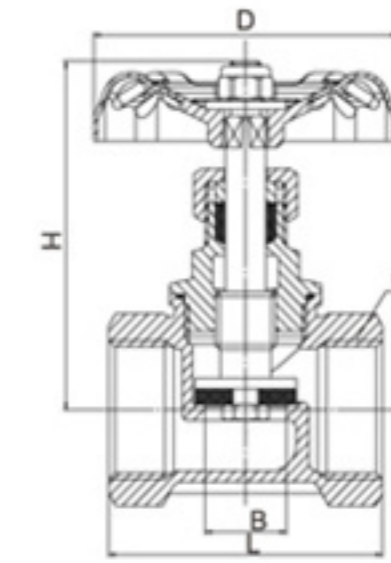
阀体 VALVE BODY



301 黄铜截止阀 BRASS STOP VALVE

J11F-16T

www.finio.cn



技术规范:

- 1. 公称压力: 1.6MPa
- 2. 工作介质: 水、非腐蚀性液体、空气
- 3. 工作温度: $-20^{\circ}\text{C} \leq t \leq 100^{\circ}\text{C}$
- 4. 管螺纹符合ISO 228标准(GB/T7307)

Technical specification

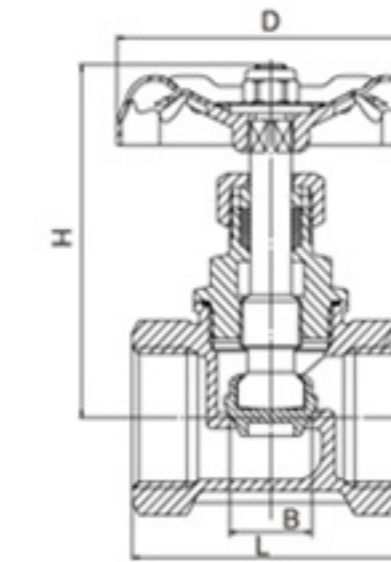
- 1. Nominal pressure: 1.6MPa
- 2. Working Medium: Water, non-corrosive liquid, air
- 3. Working Temperature: $-20^{\circ}\text{C} \leq t \leq 100^{\circ}\text{C}$
- 4. Pipe thread conform to ISO 228 (GB/T7307)

注: 阀瓣材料为聚四氟乙烯
NOTE: Seat material: PTFE

DN	SIZE	L	H	D	B
15	1/2	46	60.5	60	12
20	3/4	54	66.5	60	16
25	1	67	74	70	20
32	1 1/4	77	89.5	80	27
40	1 1/2	83	99	80	34
50	2	104	118	105	43

302 黄铜截止阀 BRASS STOP VALVE

J11W-16T



技术规范:

- 1. 公称压力: 1.6MPa
- 2. 工作介质: 水、非腐蚀性液体、饱和蒸汽
- 3. 工作温度: $-20^{\circ}\text{C} \leq t \leq 150^{\circ}\text{C}$
- 4. 管螺纹符合ISO 228标准(GB/T7307)

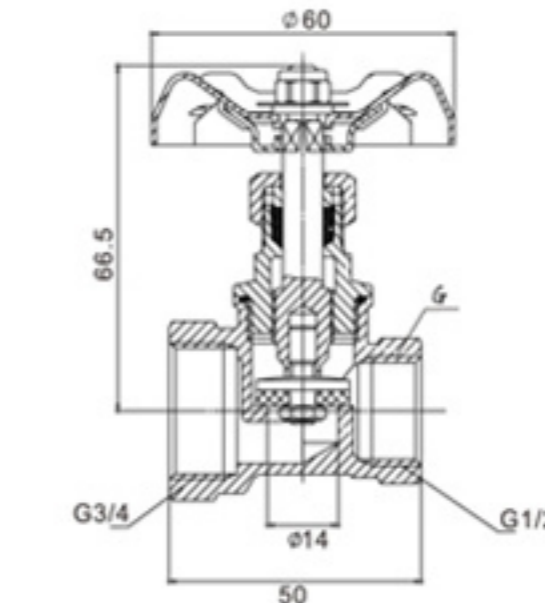
Technical specification

- 1. Nominal pressure: 1.6MPa
- 2. Working Medium: Water, Non-corrosive liquid, Saturated steam
- 3. Working Temperature: $-20^{\circ}\text{C} \leq t \leq 150^{\circ}\text{C}$
- 4. Pipe thread conform to ISO 228 (GB/T7307)

DN	SIZE	L	B	H	D
8	1/4	40	10.5	58	45
10	3/8	40	10.5	58	45
15	1/2	46	12	60	60
20	3/4	54	16	67.5	60
25	1	67	20	75	70
32	1 1/4	77	27	89.5	80
40	1 1/2	83	34	100	80
50	2	104	43	118	105
65	2 1/2	170.5	65	197	179
80	3	245	80	277	199.5
100	4	270.5	100	316	218

303A/303B 黄铜截止阀 BRASS STOP VALVE

J11F-16T



技术规范:

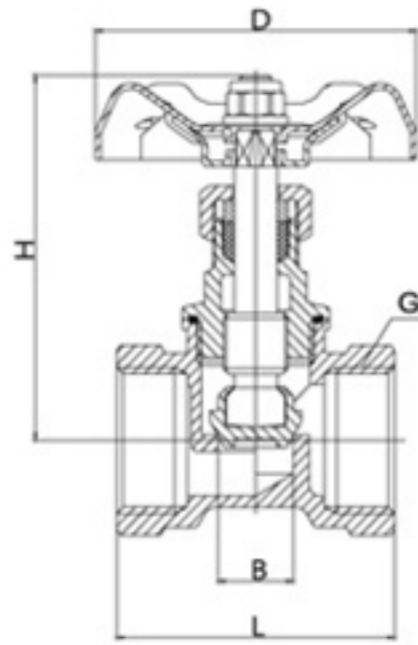
- 1. 公称压力: 1.6MPa
- 2. 工作介质: 水、非腐蚀性液体、空气
- 3. 工作温度: $-20^{\circ}\text{C} \leq t \leq 100^{\circ}\text{C}$
- 4. 管螺纹符合ISO 228标准(GB/T7307)

Technical specification

- 1. Nominal pressure: 1.6MPa
- 2. Working Medium: Water, non-corrosive liquid, air
- 3. Working Temperature: $-20^{\circ}\text{C} \leq t \leq 100^{\circ}\text{C}$
- 4. Pipe thread conform to ISO 228 (GB/T7307)

307 黄铜截止阀 BRASS STOP VALVE

J11W-16T



技术规范:

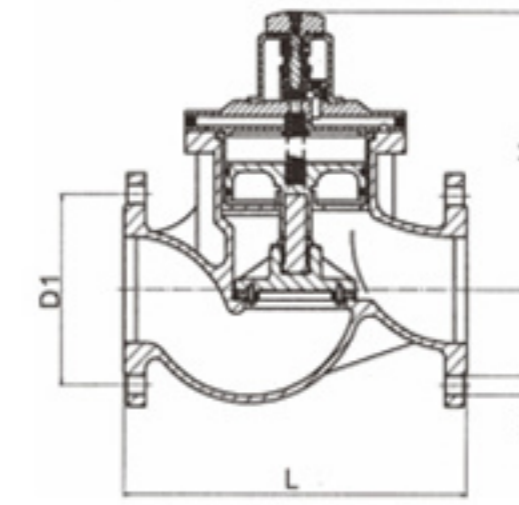
- 1. 公称压力: 1.6MPa
- 2. 工作介质: 水、非腐蚀性液体、饱和蒸汽
- 3. 工作温度: $-20^{\circ}\text{C} \leq t \leq 150^{\circ}\text{C}$
- 4. 管螺纹符合 ISO 228 标准 (GB/T7307)

Technical specification

- 1. Nominal pressure: 1.6MPa
- 2. Working Medium: Water, Non-corrosive liquid, Saturated steam
- 3. Working Temperature: $-20^{\circ}\text{C} \leq t \leq 150^{\circ}\text{C}$
- 4. Pipe thread conform to ISO 228 (GB/T7307)

DN	SIZE	L	B	D	H
15	1/2	46	11	60	59
20	3/4	52	14	60	66
25	1	65	19	60	70
32	1 1/4	74	25	70	80
40	1 1/2	80	30.5	80	90
50	2	100	38	105	110

360/360A 黄铜水控式截止阀 WATER-CONTROLLED BRASS STOP VALVE



技术规范:

- 1. 公称压力: 1.6MPa
- 2. 工作介质: 水
- 3. 法兰安装连接尺寸符合 GB/T15530.1-2008
- 4. 工作温度: 密封材料为黄铜: $0^{\circ}\text{C} < t \leq 120^{\circ}\text{C}$
密封材料为橡胶: $0^{\circ}\text{C} < t \leq 90^{\circ}\text{C}$

Technical specification

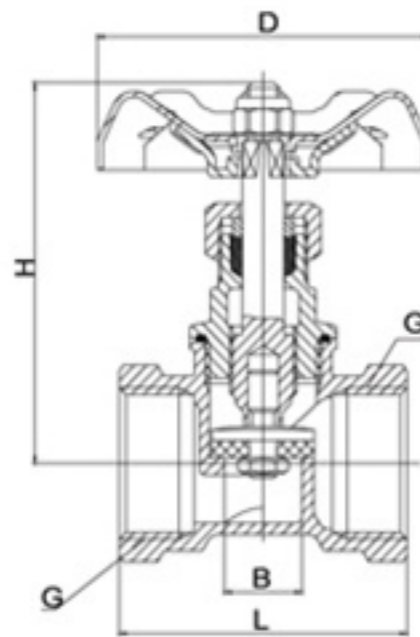
- 1. Nominal pressure: 1.6MPa
- 2. Working Medium: Water
- 3. Flanged standard conform to GB/T 15530.1-2008
- 4. Working Temperature: For sealed with brass: $0^{\circ}\text{C} < t \leq 120^{\circ}\text{C}$
For sealed with thrubber: $0^{\circ}\text{C} < t \leq 90^{\circ}\text{C}$

注: 密封材料: 360: 黄铜/360A: 橡胶
NOTE: Sealing material: 360: Brass/360A: Rubber

DN	H	L	D1	n-d
100	233	305	180	8-r18
125	287	381	210	8-r18
150	305	403	240	8-r22

309 黄铜截止阀 BRASS STOP VALVE

J11F-16T



技术规范:

- 1. 公称压力: 1.6MPa
- 2. 工作介质: 水、非腐蚀性液体、空气
- 3. 工作温度: $-20^{\circ}\text{C} \leq t \leq 100^{\circ}\text{C}$
- 4. 管螺纹符合 ISO 228 标准 (GB/T7307)

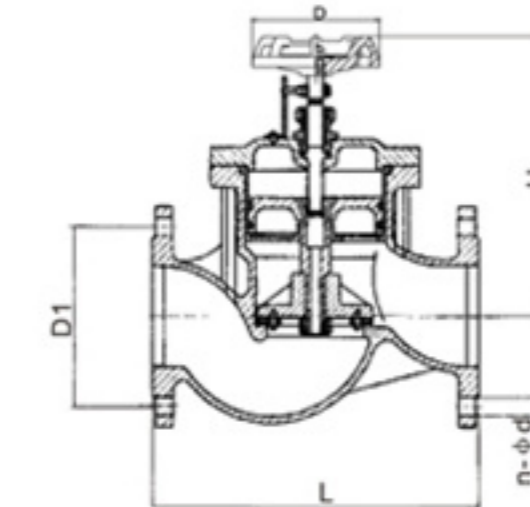
Technical specification

- 1. Nominal pressure: 1.6MPa
- 2. Working Medium: Water, Non-corrosive liquid, air
- 3. Working Temperature: $-20^{\circ}\text{C} \leq t \leq 100^{\circ}\text{C}$
- 4. Pipe thread conform to ISO 228 (GB/T7307)

DN	SIZE	L	B	D	H
15	1/2	46	11	60	59
20	3/4	52	14	60	66.5
25	1	65	19	60	71.5
32	1 1/4	74	25	70	82.5
40	1 1/2	80	30.5	80	91.5
50	2	100	38	105	115
65	2 1/2	135	52	120	136
80	3	168	64	180	153.5
100	4	215	80	200	209

361 黄铜平衡式截止阀 BALANCE TYPE BRASS STOP VALVE

J46W-16T



技术规范:

- 1. 公称压力: 1.6MPa
- 2. 工作介质: 水
- 3. 法兰安装连接尺寸符合 GB/T15530.1-2008
- 4. 工作温度: 密封材料为黄铜: $0^{\circ}\text{C} < t \leq 120^{\circ}\text{C}$
密封材料为橡胶: $0^{\circ}\text{C} < t \leq 90^{\circ}\text{C}$

Technical specification

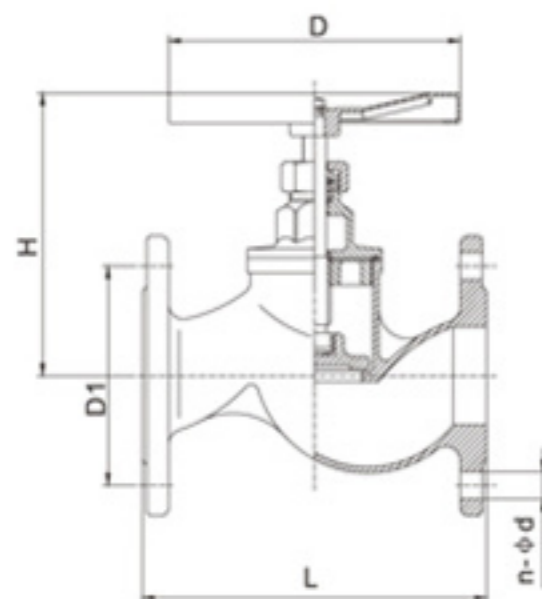
- 1. Nominal pressure: 1.6MPa
- 2. Working Medium: Water
- 3. Flanged standard conform to GB/T 15530.1-2008
- 4. Working Temperature: For sealed with brass: $0^{\circ}\text{C} < t \leq 120^{\circ}\text{C}$
For sealed with thrubber: $0^{\circ}\text{C} < t \leq 90^{\circ}\text{C}$

注: 密封材料: 361: 黄铜/361A: 橡胶
NOTE: Sealing material: 361: Brass/361A: Rubber

DN	L	H	D1	D	n-d
40	160	142	110	72	4-r18
50	216	170	125	72	
65	241	198	145	110	
80	283	214	160	130	
100	305	232	180	130	8-r18
125	381	275	210	130	8-r22
150	403	295	240	178	

314/314A 黄铜法兰截止阀 BRASS FLANGE STOP VALVE

J41W-16T/J41F-16T



技术规范:

- 1. 公称压力: 1.6MPa
- 2. 工作介质: 水、非腐蚀性液体、空气 (仅适用 314A 产品)、饱和蒸汽
- 3. 工作温度: $-20^{\circ}\text{C} \leq t \leq 150^{\circ}\text{C}$ (314A 型: $-20^{\circ}\text{C} \leq t \leq 110^{\circ}\text{C}$)
- 4. 法兰安装连接尺寸符合 GB/T15530.1-2008

Technical specification

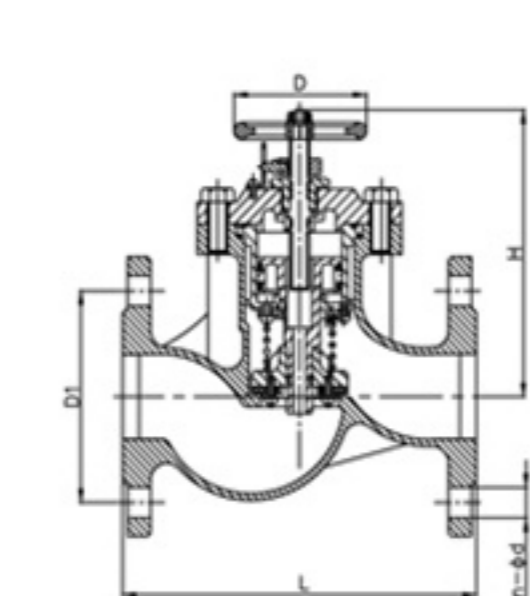
- 1. Nominal pressure: 1.6MPa
- 2. Working Medium: Water, non-corrosive liquids, air (for 314A products only), saturated steam
- 3. Working Temperature: $-20^{\circ}\text{C} \leq t \leq 150^{\circ}\text{C}$ (Model 314A: $-20^{\circ}\text{C} \leq t \leq 110^{\circ}\text{C}$)
- 4. Flanged standard conform to GB/T 15530.1-2008

注: 1. 314A 型的阀瓣材料为聚四氟乙烯 NOTE: 1. Disc for 314A made of PTFE
2. DN65-200 阀杆采用不锈钢材料 2. Stem (DN50-DN200) made of S.S

DN	SIZE	L	H	D	D1	n-d
15	1/2	80	79.5	55	65	4-r14
20	3/4	90	86.6	60	75	
25	1	100	94	72	85	
32	1 1/4	110	114	80	100	
40	1 1/2	135	132	100	110	4-r18
50	2	216	183	140	125	
65	2 1/2	236	197	179	145	
80	3	280	275	199.5	160	8-r18
100	4	335	325	218	180	
125	5	400	336	248	210	
150	6	480	379	317	240	
200	8	630	442	320	295	12-r22

362/362A 黄铜截止止回两用阀 BRASS STOP VALVE & CHECK VALVE

J41W-16T/J41X-16T



技术规范:

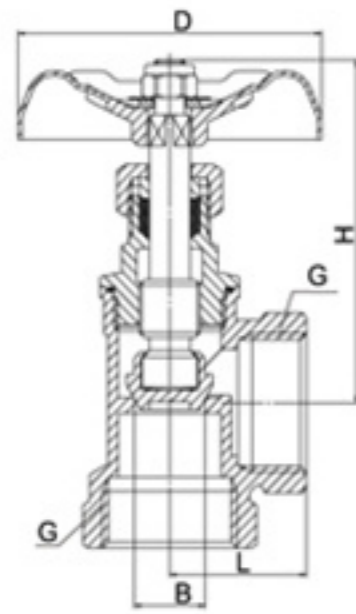
- 1. 公称压力: 1.6MPa
- 2. 工作介质: 水
- 3. 法兰安装连接尺寸符合 GB/T15530.1-2008
- 4. 工作温度: 密封材料为黄铜: $0^{\circ}\text{C} < t \leq 120^{\circ}\text{C}$
密封材料为橡胶: $0^{\circ}\text{C} < t \leq 90^{\circ}\text{C}$

Technical specification

- 1. Nominal pressure: 1.6MPa
- 2. Working Medium: Water
- 3. Flanged standard conform to GB/T 15530.1-2008
- 4. Working Temperature: For sealed with brass: $0^{\circ}\text{C} < t \leq 120^{\circ}\text{C}$
For sealed with thrubber: $0^{\circ}\text{C} < t \leq 90^{\circ}\text{C}$

注: 密封材料: 362: 黄铜/362A: 橡胶
NOTE: Sealing material: 362: Brass/362A: Rubber

DN	L	H	D1	D	n-d
40	160	142	110	72	4-r18
50	216	170	125	72	
65	241	198	145	110	
80	283	214	160	130	
100	305	232	180	130	8-r18
125	381	275	210	130	8-r22
150	403	295	240	178	



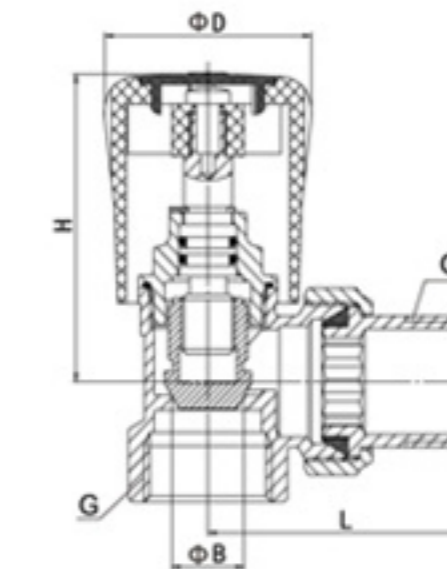
技术规范:

- 1. 公称压力: 1.6MPa
- 2. 工作介质: 水、非腐蚀性液体、饱和蒸汽
- 3. 工作温度: $-20^{\circ}\text{C} \leq t \leq 150^{\circ}\text{C}$
- 4. 管螺纹符合ISO 228标准(GB/T7307)

Technical specification

- 1. Nominal pressure: 1.6MPa
- 2. Working Medium: Water, Non-corrosive liquid, Saturated steam
- 3. Working Temperature: $-20^{\circ}\text{C} \leq t \leq 150^{\circ}\text{C}$
- 4. Pipe thread conform to ISO 228 (GB/T7307)

DN	SIZE	L	B	D	H
15	1/2	23.5	11	60	60
20	3/4	27	14	60	65
25	1	33.5	19	60	67.5



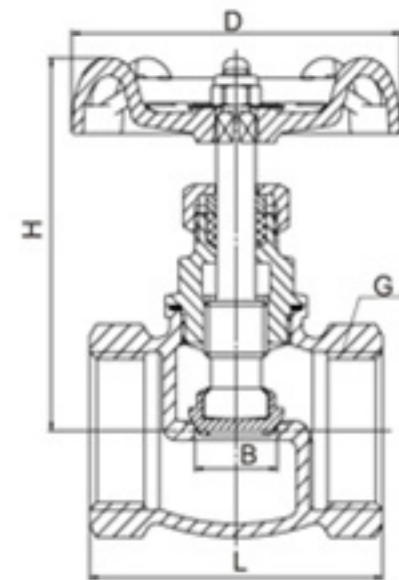
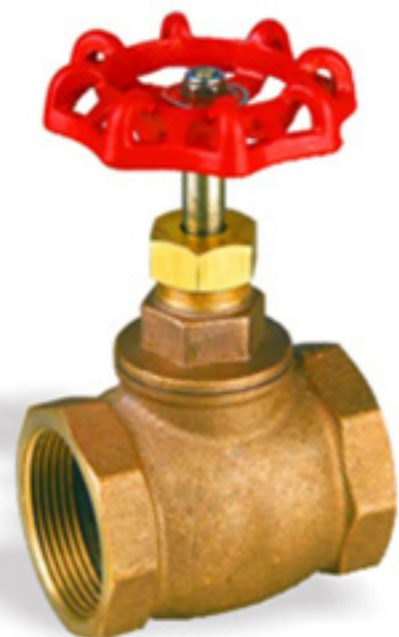
技术规范:

- 1. 公称压力: 1.6MPa
- 2. 工作介质: 水
- 3. 工作温度: $0^{\circ}\text{C} < t \leq 100^{\circ}\text{C}$
- 4. 管螺纹符合ISO 228标准(GB/T7307)

Technical specification

- 1. Nominal pressure: 1.6MPa
- 2. Working Medium: Water
- 3. Working Temperature: $0^{\circ}\text{C} < t \leq 100^{\circ}\text{C}$
- 4. Pipe thread conform to ISO 228 (GB/T7307)

DN	SIZE	L	B	D	H
15	1/2	50	12	35.5	54
20	3/4	56	15	44	61.5
25	1	66	20	49	70.5
32	1 1/4	71	25	55	76.8



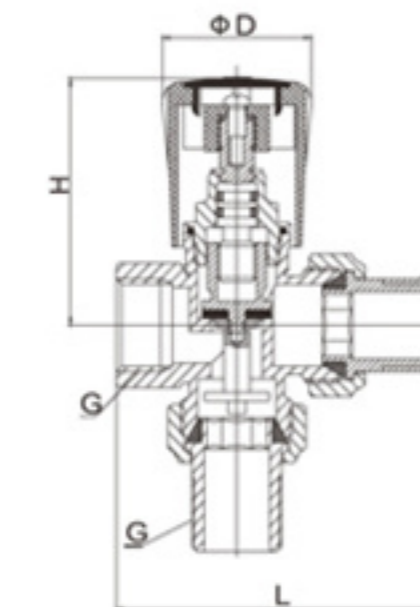
技术规范:

- 1. 公称压力: 2.0MPa
- 2. 工作介质: 水、非腐蚀性液体、饱和蒸汽
- 3. 工作温度: $-20^{\circ}\text{C} \leq t \leq 180^{\circ}\text{C}$
- 4. 管螺纹符合ISO 228标准(GB/T7307)

Technical specification

- 1. Nominal pressure: 2.0MPa
- 2. Working Medium: Water, Non-corrosive liquid, Saturated steam
- 3. Working Temperature: $-20^{\circ}\text{C} \leq t \leq 180^{\circ}\text{C}$
- 4. Pipe thread conform to ISO 228 (GB/T7307)

DN	SIZE	L	B	H	D
15	1/2	48	10	64	55
20	3/4	54	13	70	60
25	1	64	18	79	72
32	1 1/4	73	23	91	72
40	1 1/2	80	30	105	80
50	2	100	38	123	100



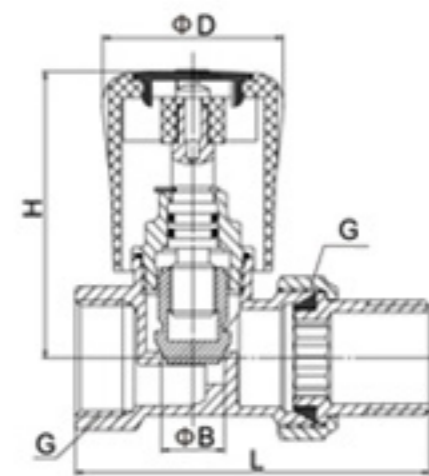
技术规范:

- 1. 公称压力: 1.6MPa
- 2. 工作介质: 水
- 3. 工作温度: $0^{\circ}\text{C} < t \leq 100^{\circ}\text{C}$
- 4. 管螺纹符合ISO 228标准(GB/T7307)

Technical specification

- 1. Nominal pressure: 1.6MPa
- 2. Working Medium: Water
- 3. Working Temperature: $0^{\circ}\text{C} < t \leq 100^{\circ}\text{C}$
- 4. Pipe thread conform to ISO 228 (GB/T7307)

DN	SIZE	L	D	H
15	1/2	78	35.5	55
20	3/4	87	44	67
25	1	104	49	71.5



技术规范:

- 1. 公称压力: 1.6MPa
- 2. 工作介质: 水
- 3. 工作温度: $0^{\circ}\text{C} < t \leq 100^{\circ}\text{C}$
- 4. 管螺纹符合ISO 228标准(GB/T7307)

Technical specification

- 1. Nominal pressure: 1.6MPa
- 2. Working Medium: Water
- 3. Working Temperature: $0^{\circ}\text{C} < t \leq 100^{\circ}\text{C}$
- 4. Pipe thread conform to ISO 228 (GB/T7307)

DN	SIZE	L	B	D	H
15	1/2	74.5	12	35.5	55
20	3/4	85.5	15	44	66
25	1	98	20	49	70.5
32	1 1/4	110	25	55	76.8

黄铜水力控制阀系列 HYDRANLIC CONTROLLED BRASS VALVES

一、简介

黄铜水力控制阀是由主阀及其外装之针阀、向导阀等组成并配合使用目的、功能及场所而演变成遥控浮球阀、减压阀、缓闭式止回阀、泄压阀、电动控制阀、流量控制阀、平衡阀、泵浦控制阀及紧急关闭/开启阀等。主阀采用隔膜型结构，由阀体、膜片、阀杆组件及弹簧等主要零件所组成，其动作原理见图1~图3示意图。

产品代号	产品图片	产品名称	产品功能及作用
381		黄铜遥控浮球阀	控制水塔或水池的液面，保养简单，灵活耐用，液位控制准确度高，水位不受水压干扰且关闭紧密不漏水。
384		黄铜减压阀	控制主阀的出口压力，当进口压力为1.6MPa时，出口压力为0.15~0.8MPa；当进口压力降低时，出口压力相应降低。可用于生活给水、消防系统及工业给水系统。
385		黄铜缓闭式止回阀	具有调控开启和关闭速度的止回阀，当开启或停止抽水机运转时，可配合现场调节至最佳开启和关闭速度。可用于高层建筑，减少水锤及水击现象产生，以达到安静关闭之效果。
387		黄铜泄压/持压/紧急开启阀	泄压阀：可将给水管中超过向导阀安全设定值之压力释放，并维持管路中压力在安全设定值以下，以防止管路中高压或突压毁损管路系统或设备。可用于高层大楼消防测试循环系统之泄压用，以防止水压过高造成系统危险。 持压阀：可维持主阀上游供水压力于某一设定值以上，以保障主阀上游供水区之压力。 紧急开启阀：装于消防喷淋泵出水口处，当消防喷淋泵出水口处压力上升至某一设定值以上时，此阀立即开启。
388		黄铜电动控制阀	装置于管路系统中，可作为遥控开启或关闭之功能，同时可加装速度调控装置。可取代用来启闭闸阀或蝶阀用之大型电动操作机械，维修简单。

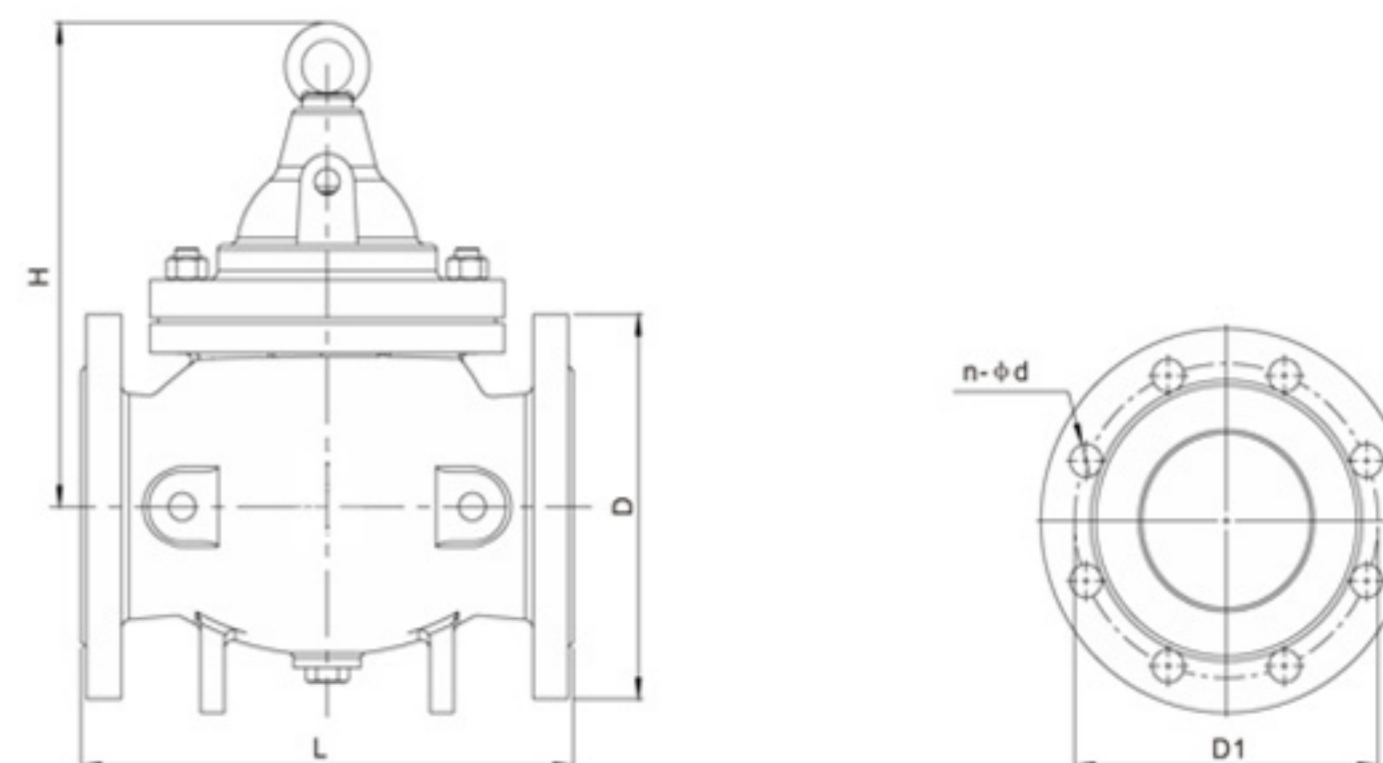
二、技术规范：

工作压力：1.6 MPa

工作介质：水

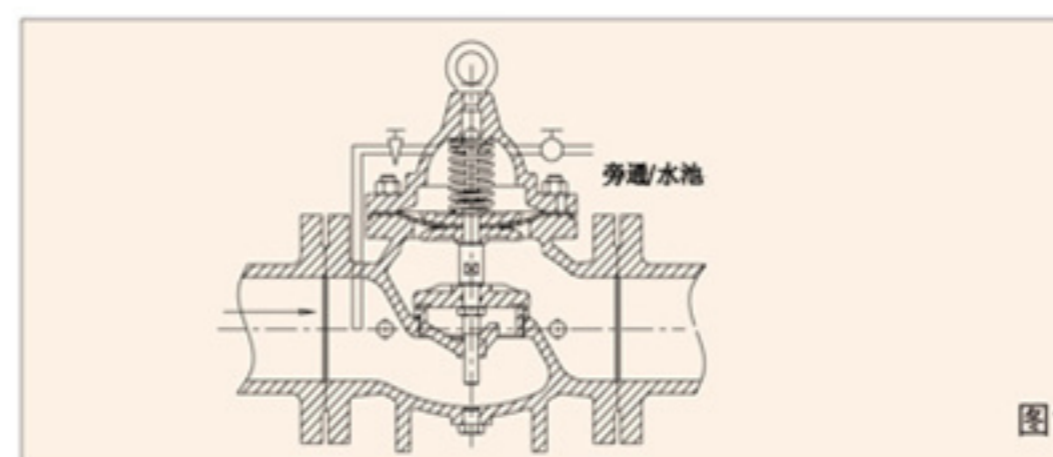
工作温度：0°C < t ≤ 70°C

三、主要外形连接尺寸：

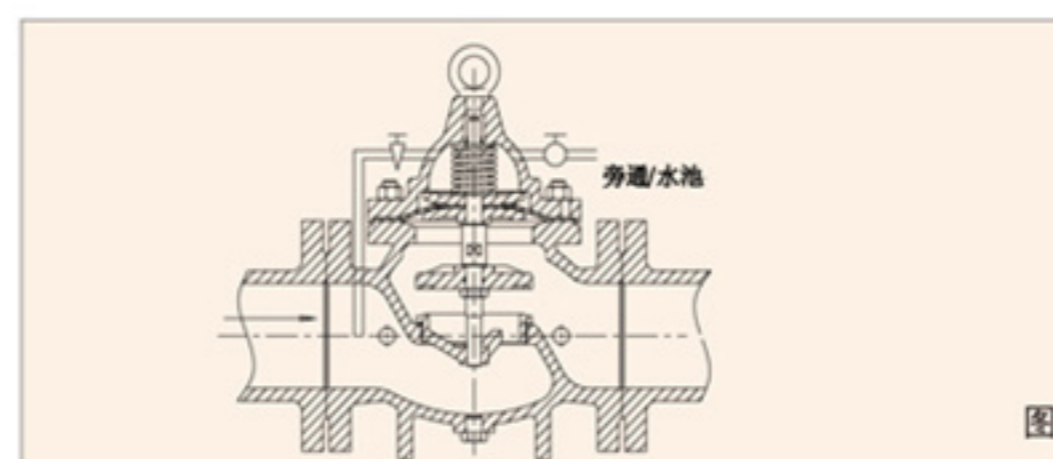


DN	SIZE	L	H	D1	n-φd
40	1 1/2	190	125	110	4-φ18
50	2	200	130	125	4-φ18
65	2 1/2	216	160	145	4-φ18
80	3	241	185	160	8-φ18
100	4	292	225	180	8-φ18
125	5	330	276	210	8-φ18
150	6	356	302	240	8-φ22

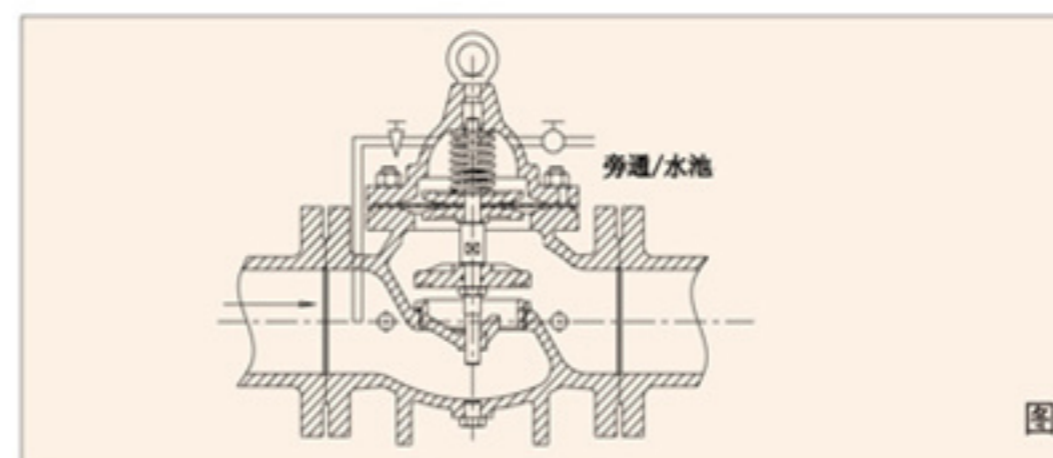
四、动作原理示意：



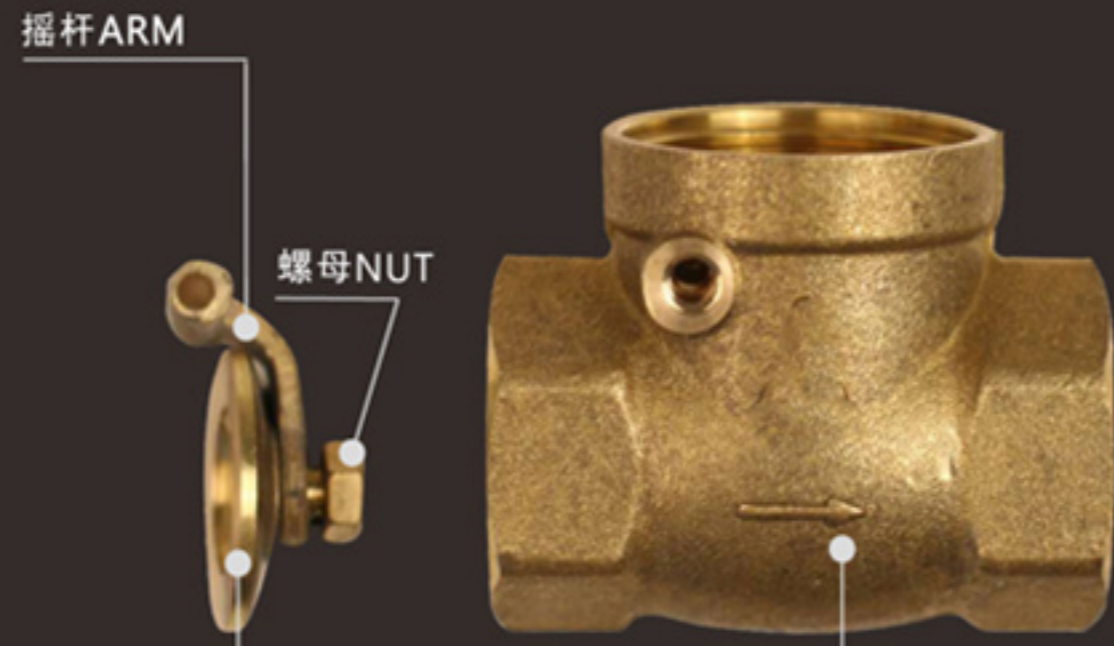
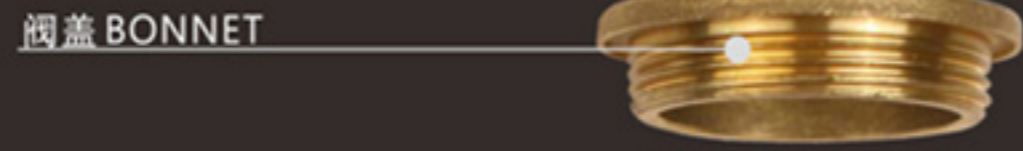
全闭状态 当主阀进口端水压分别进入阀体及控制室，且主阀外部之球阀同时关闭，此时主阀处于全闭状态。



全开状态 当主阀外部之球阀全开后，此时控制室内水压全部释放到旁路/水池中，此时主阀呈现全开状态。



浮动状态 调节主阀外部之球阀开度，使流经针阀与球阀之水流达到平衡，此时主阀处于浮动状态。



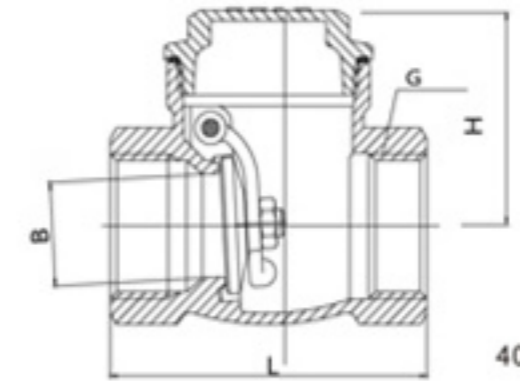
螺栓
BOLT

芯轴
HINGE PIN

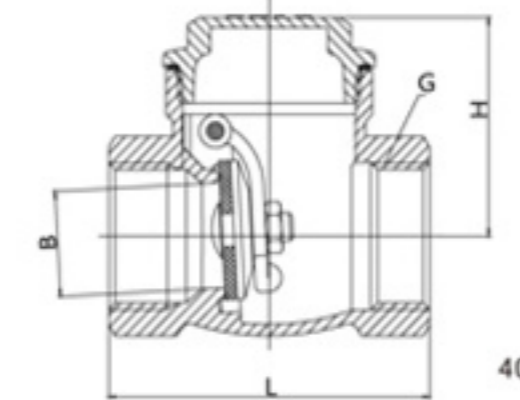
阀瓣
DISC

阀体
VALVE BODY

401/401A 黄铜止回阀 BRASS CHECK VALVE



401



401A

技术规范:

- 1. 公称压力: 1.6MPa
- 2. 工作介质: 水, 非腐蚀性液体
- 3. 工作温度: $-20^{\circ}\text{C} \leq t \leq 150^{\circ}\text{C}$; $-20^{\circ}\text{C} \leq t \leq 90^{\circ}\text{C}$
- 4. 管螺纹符合ISO 228标准(GB/T7307) (DN15-DN50) / ISO 7标准(GB/T7306.2) (DN65-DN100)

Technical specification

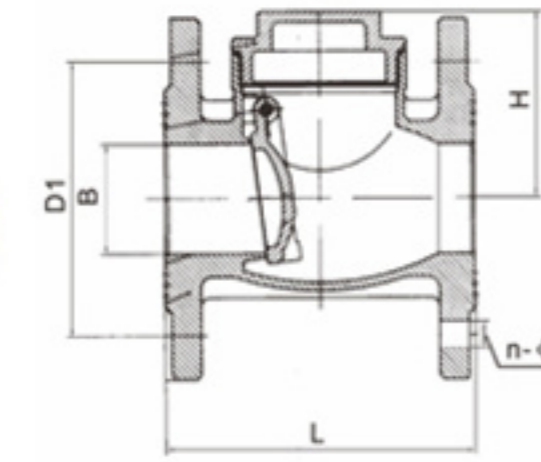
- 1. Nominal pressure: 1.6MPa
- 2. Working Medium: Water, Non-corrosive liquid
- 3. Working Temperature: $-20^{\circ}\text{C} \leq t \leq 150^{\circ}\text{C}$; $-20^{\circ}\text{C} \leq t \leq 90^{\circ}\text{C}$
- 4. Pipe thread conform to ISO 228 (GB/T7307) (DN15-DN50) / ISO 7 (GB/T7306.2) (DN65-DN100)

注: 密封材料: 401: 黄铜 401A: 丁腈橡胶
Note: Sealing material: 401: brass 401A: nitrile rubber

DN	SIZE	L	B	H
15	1/2	50	13	35
20	3/4	60	19	40
25	1	74	25	46.5
32	1 1/4	84	30	53
40	1 1/2	94	36	60
50	2	114	46	70
65	2 1/2	146	65	86
80	3	165	80	102
100	4	192	100	122

409 黄铜法兰止回阀 BRASS FLANGED CHECK VALVE

H44W-16T



技术规范:

- 1. 公称压力: 1.6MPa
- 2. 工作介质: 水, 非腐蚀性液体, 饱和蒸汽
- 3. 工作温度: $-20^{\circ}\text{C} \leq t \leq 150^{\circ}\text{C}$
- 4. 法兰安装连接尺寸符合GB/T15530.1-2008

Technical specification

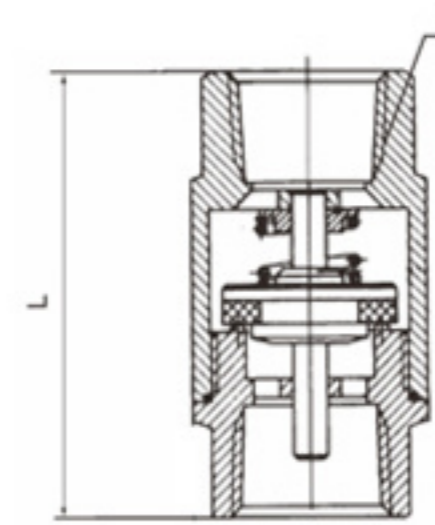
- 1. Nominal pressure: 1.6MPa
- 2. Working Medium: Water, Non-corrosive liquid, Saturated steam
- 3. Working Temperature: $-20^{\circ}\text{C} \leq t \leq 150^{\circ}\text{C}$
- 4. Flanged standard conform to GB/T 15530.1-2008

注: 密封材料: 黄铜
Note: Sealing Material: Brass

DN	L	B	H	D1	n-d
25	105	25	61	85	4-14
32	121	32	67	100	
40	136	40	71.5	110	4-18
50	146	50	85.5	125	
65	164	65	94	145	
80	190	80	108.5	160	
100	216	100	124.5	180	8-18
125	320	125	167	210	
150	370	150	196	240	8-22

410 黄铜立式止回阀 BRASS VERTICAL CHECK VALVE

H12X-16T



技术规范:

- 1. 公称压力: 1.6MPa
- 2. 工作介质: 水, 非腐蚀性液体(不包括油类), 饱和蒸汽
- 3. 工作温度: $-20^{\circ}\text{C} \leq t \leq 150^{\circ}\text{C}$
- 4. 管螺纹符合ISO 228标准(GB/T7307)
- 5. 开启压力: 0.04MPa

Technical specification

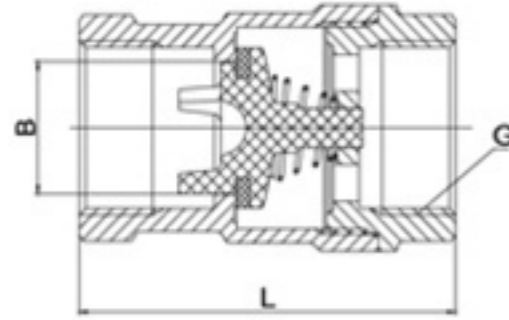
- 1. Nominal pressure: 1.6MPa
- 2. Working Medium: Water, Non-corrosive liquid (Not including oil), Saturated steam
- 3. Working Temperature: $-20^{\circ}\text{C} \leq t \leq 150^{\circ}\text{C}$
- 4. Pipe thread conform to ISO 228 (GB/T7307)
- 5. Start Pressure: 0.04MPa

注: 阀瓣材料: 硅橡胶(用户需要其它阀瓣材料, 请在供货合同中加以说明)
Note: Disc material: Silicone rubber (Please write designated material of the disc in the contract if it is other than specified in the brochure)

DN	15	20	25	32	40	50	65	80	100
L	59	66.5	73.5	85.5	93	108	115	128	151

412 黄铜升降式止回阀 BRASS LIFT CHECK VALVE

H12X-16T



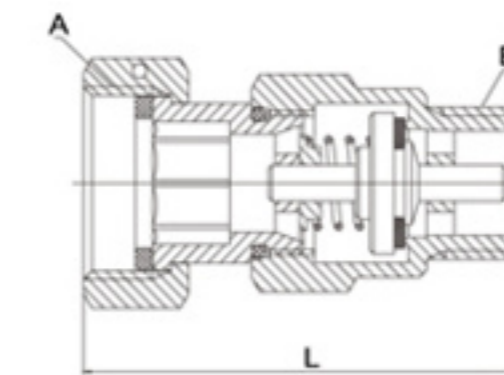
- 技术规范:
- 1. 公称压力: 1.6MPa
 - 2. 工作介质: 水、非腐蚀性液体
 - 3. 工作温度: $-20^{\circ}\text{C} \leq t \leq 100^{\circ}\text{C}$
 - 4. 管螺纹符合ISO 228标准(GB/T7307)
 - 5. 开启压力: 0.04MPa

- Technical specification
- 1. Nominal pressure: 1.6MPa
 - 2. Working Medium: Water, Non-corrosive liquid
 - 3. Working Temperature: $-20^{\circ}\text{C} \leq t \leq 100^{\circ}\text{C}$
 - 4. Pipe thread conform to ISO 228 (GB/T7307)
 - 5. Start Pressure: 0.04MPa

注: 阀瓣材料: 丁腈橡胶

DN	15	20	25	32	40	50
L	50	58.5	65	75	83	93
B	16	20	27	31	38	47

420 黄铜水表止回阀(表前) BRASS WATER METER CHECK VALVE



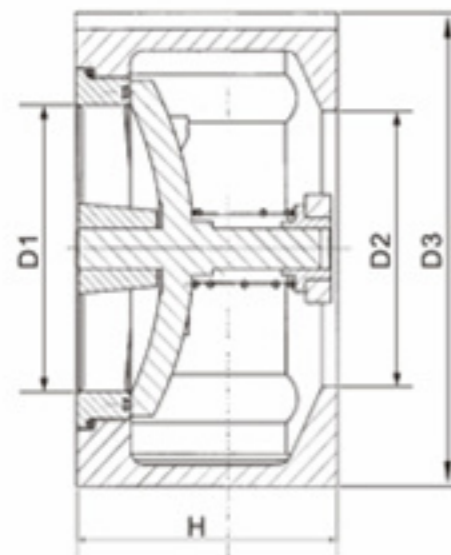
- 技术规范:
- 1. 公称压力: 1.6MPa
 - 2. 工作介质: 水
 - 3. 工作温度: $0^{\circ}\text{C} < t \leq 90^{\circ}\text{C}$
 - 4. 开启压力: 0.04MPa
 - 5. 管螺纹符合ISO 228标准(GB/T7307), ISO 7标准(GB/T7306)

- Technical specification
- 1. Nominal pressure: 1.6MPa
 - 2. Working Medium: Water
 - 3. Working Temperature: $0^{\circ}\text{C} < t \leq 90^{\circ}\text{C}$
 - 4. Min-operation pressure: 0.04MPa
 - 5. Pipe thread conform to ISO 228 (GB/T7307), ISO 7 (GB/T7306)

DN	SIZE	L	A	B
15	1/2	63	G3/4	R1/2
20	3/4	65	G1	R3/4
25	1	72	G1 1/4	R1

415 黄铜消声止回阀 BRASS ANECHOIC CHECK VALVE

H72X-16T



- 技术规范:
- 1. 公称压力: 1.6MPa
 - 2. 工作介质: 水、非腐蚀性液体
 - 3. 工作温度: $0^{\circ}\text{C} < t \leq 90^{\circ}\text{C}$
 - 4. 开启压力: 0.01MPa

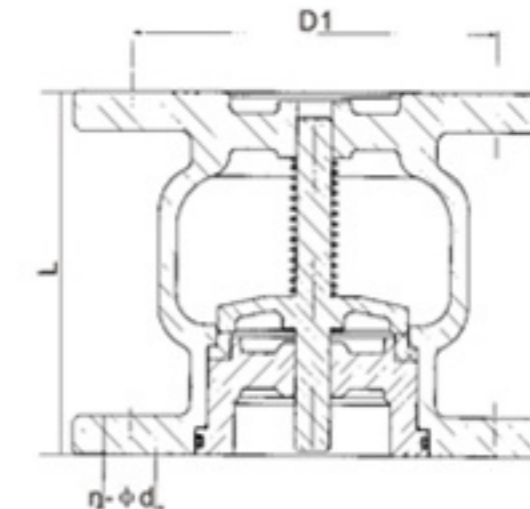
- Technical specification
- 1. Nominal pressure: 1.6MPa
 - 2. Working Medium: Water, Non-corrosive liquid
 - 3. Working Temperature: $0^{\circ}\text{C} < t \leq 90^{\circ}\text{C}$
 - 4. Start Pressure: 0.01MPa

注: 密封材料: 橡胶
Note: Sealing material: Rubber

DN	50	65	80	100	125	150	200
H	68	80	80	100	125	142.5	170
D1	60	75	85	106	130	150	207
D2	64	77	95	102	140	160	215
D3	120	140	155	175	205	234	289

428 黄铜法兰消声止回阀 BRASS ANECHOIC CHECK VALVE

H42X-16T



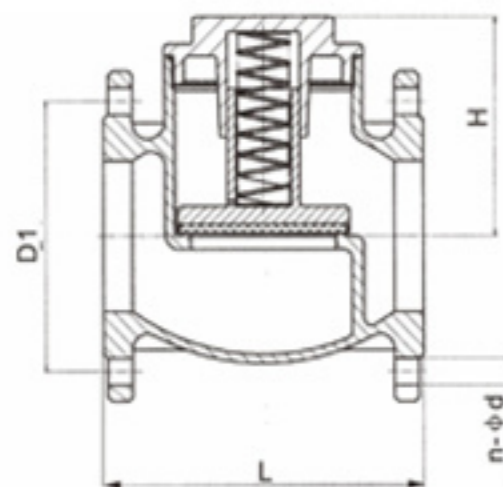
- 技术规范:
- 1. 公称压力: 1.6MPa
 - 2. 工作介质: 水、非腐蚀性液体
 - 3. 工作温度: $-10^{\circ}\text{C} < t \leq 90^{\circ}\text{C}$
 - 4. 最小开启压力: 0.01MPa
 - 5. 法兰安装连接尺寸符合GB/T15530.1-2008

- Technical specification
- 1. Nominal pressure: 1.6MPa
 - 2. Working Medium: Water, non-corrosive liquids
 - 3. Working Temperature: $-10^{\circ}\text{C} < t \leq 90^{\circ}\text{C}$
 - 4. Start Pressure: 0.01MPa
 - 5. Flanged standard conform to GB/T 15530.1-2008

DN	SIZE	L	D1	n-φd
32	1 1/4	100	100	4-φ18
40	1 1/2	110	110	
50	2	120	125	
65	2 1/2	140	145	
80	3	150	160	8-φ18
100	4	180	180	
125	5	210	210	
150	6	220	240	
200	8	258	295	12-φ22

416/416A 黄铜升降式缓闭止回阀 BRASS ELEVATING SLOWLY-CLOSING CHECK VALVE

H41W-16T/H41X-16T(消声型)



- 技术规范:
- 1. 公称压力: 1.6MPa
 - 2. 工作介质: 水
 - 3. 法兰安装连接尺寸符合GB/T15530.1-2008
 - 4. 工作温度: 密封材料为黄铜: $0^{\circ}\text{C} < t < 100^{\circ}\text{C}$
密封材料为橡胶: $0^{\circ}\text{C} < t \leq 90^{\circ}\text{C}$

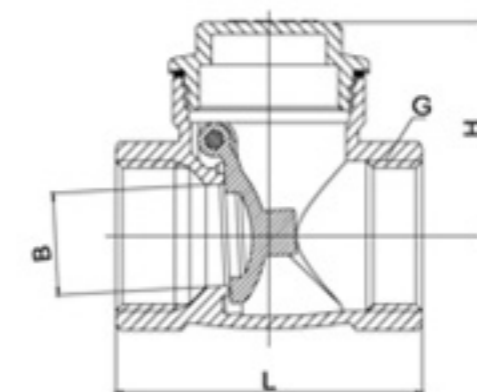
- Technical specification
- 1. Nominal pressure: 1.6MPa
 - 2. Working Medium: Water
 - 3. Flanged standard conform to GB/T 15530.1-2008
 - 4. Working Temperature: For sealed with brass: $0^{\circ}\text{C} < t < 100^{\circ}\text{C}$
For sealed with thrubber: $0^{\circ}\text{C} < t \leq 90^{\circ}\text{C}$

注: 密封材料: H41W-16T: 黄铜 H41X-16T: 橡胶
NOTE: Sealing material: H41W-16T: Brass H41X-16T: Rubber

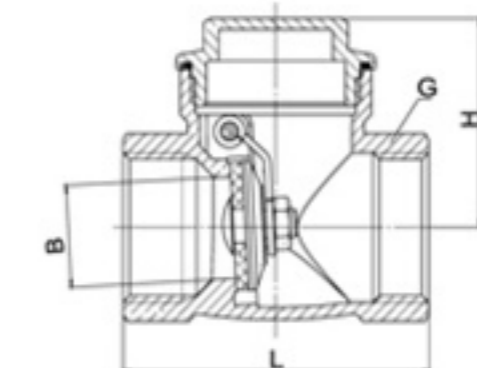
DN	H	L	D1	n-d
40	78	159	110	4-φ18
50	92	178	125	
65	104	190	145	
80	124	203	160	
100	140	229	180	8-φ18
125	187	356	210	
150	216	403	240	8-φ22

429/429A 黄铜止回阀 BRASS CHECK VALVE

H14W-16T/H14X-16T



429



429A

- 技术规范:
- 1. 公称压力: 1.6MPa
 - 2. 工作介质: 429: 水、非腐蚀性液体、饱和蒸汽
429A: 水、非腐蚀性液体
 - 3. 工作温度: 429: $-20^{\circ}\text{C} \leq t \leq 150^{\circ}\text{C}$ 429A: $-20^{\circ}\text{C} \leq t \leq 90^{\circ}\text{C}$
 - 4. 管螺纹符合ISO 228标准(GB/T7307)

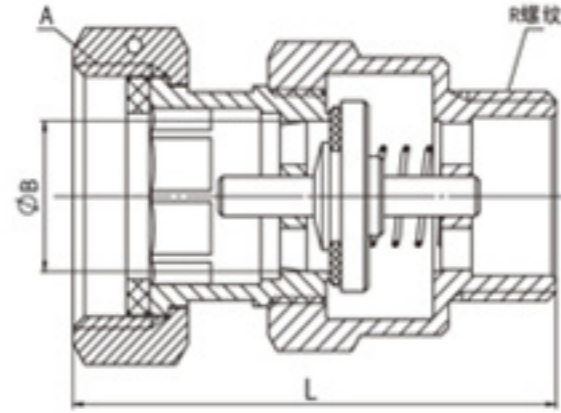
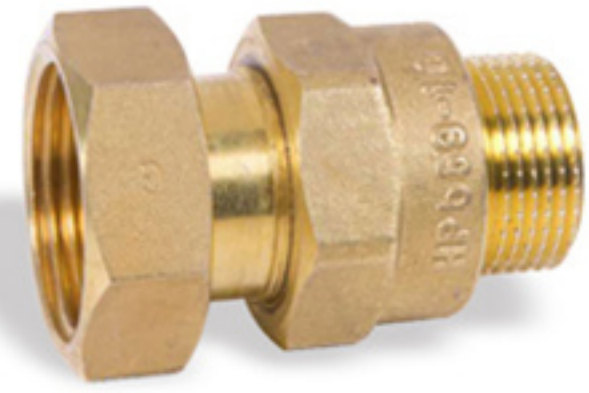
- Technical specification
- 1. Nominal pressure: 1.6MPa
 - 2. Working Medium: 429: Water, Non-corrosive liquid, Saturated steam
429A: Water, Non-corrosive liquid
 - 3. Working Temperature: 429: $-20^{\circ}\text{C} \leq t \leq 150^{\circ}\text{C}$ 429A: $-20^{\circ}\text{C} \leq t \leq 90^{\circ}\text{C}$
 - 4. Pipe thread conform to ISO 228 (GB/T7307)

密封材料: 429: 黄铜 429A: 丁腈橡胶

DN	SIZE	L	B	H
15	1/2	47	13	34
20	3/4	56	18	37.5
25	1	68	24	45.5
32	1 1/4	76	29	52
40	1 1/2	86	35	57
50	2	104	45	67
65	2 1/2	116	57	71.5
80	3	137	72	86
100	4	163	90	101.5

436 黄铜水表止回阀 (表后) BRASS WATER METER CHECK VALVE

www.finio.cn



技术规范:

- 1. 公称压力: 1.6MPa
- 2. 工作介质: 水
- 3. 工作温度: $0^{\circ}\text{C} < t \leq 90^{\circ}\text{C}$
- 4. 管螺纹符合ISO 228标准(GB/T7307), ISO 7标准(GB/T7306)

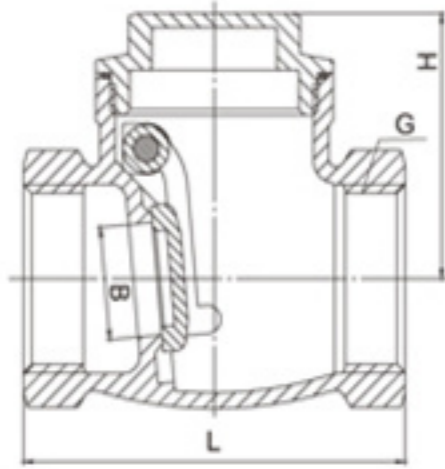
Technical specification

- 1. Nominal pressure: 1.6MPa
- 2. Working Medium: Water
- 3. Working Temperature: $0^{\circ}\text{C} < t \leq 90^{\circ}\text{C}$
- 4. Pipe thread conform to ISO 228(GB/T7307), ISO 7(GB/T7306)

DN	SIZE	L	B	A	R
15	1/2	56.5	15	G3/4	R1/2
20	3/4	63	19	G1	R3/4
25	1	68	26	G1 1/4	R1

486 青铜止回阀 BRONZE CHECK VALVE

H14W-16T



技术规范:

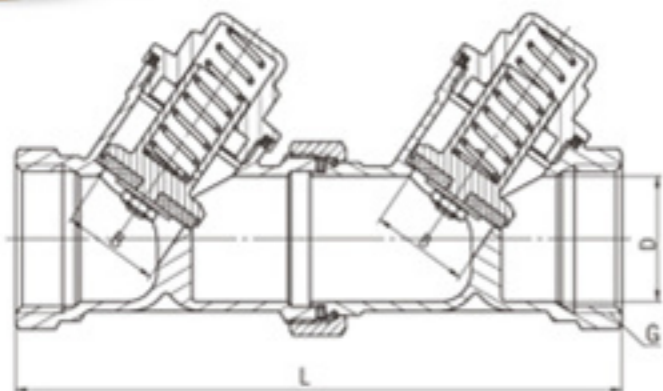
- 1. 公称压力: 1.6MPa
- 2. 工作介质: 水、非腐蚀性液体、饱和蒸汽
- 3. 工作温度: $-20^{\circ}\text{C} \leq t \leq 180^{\circ}\text{C}$
- 4. 管螺纹符合ISO 228标准(GB/T7307)

Technical specification

- 1. Nominal pressure: 1.6MPa
- 2. Working Medium: Water, Non-corrosive liquid, Saturated steam
- 3. Working Temperature: $-20^{\circ}\text{C} \leq t \leq 180^{\circ}\text{C}$
- 4. Pipe thread conform to ISO 228(GB/T7307)

DN	SIZE	L	B	H
15	1/2	50	13	35
20	3/4	58	19	39.5
25	1	70	25	47
32	1 1/4	82	32	53.5
40	1 1/2	90	36	60
50	2	110	46	69

452 双止回阀倒流防止器 DOUBLE CHECK VALVE BACKFLOW PREVENTER SDFQ1 X-15~50-16T



技术规范:

- 1. 公称压力: 1.6MPa
- 2. 工作介质: 水
- 3. 工作温度: $1^{\circ}\text{C} \leq t \leq 65^{\circ}\text{C}$
- 4. 开启压力: 0.04MPa
- 5. 管螺纹符合ISO 228(GB/T7307)

Technical specification

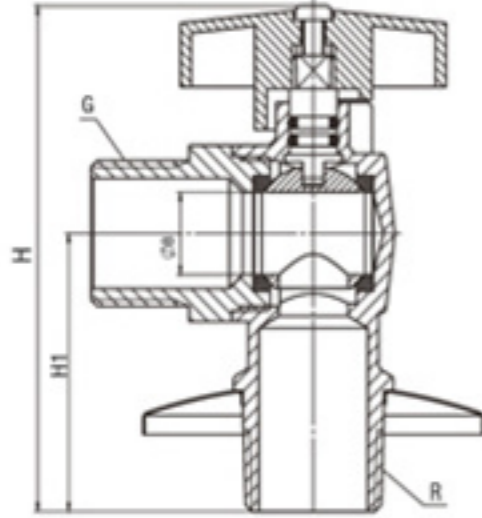
- 1. Nominal pressure: 1.6MPa
- 2. Working Medium: Water
- 3. Working Temperature: $1^{\circ}\text{C} \sim 65^{\circ}\text{C}$
- 4. Opening pressure: 0.04MPa
- 5. Pipe thread according to ISO 228(GB/T7307)

DN	SIZE	L	B	D
15	1/2	114.5	14	16
20	3/4	130	18.5	21
25	1	141	22.5	28.2
32	1 1/4	171.5	30	35
40	1 1/2	186.5	37.5	42
50	2	216.5	44.5	49.5



219 黄铜直角阀 BRASS ANGLE VALVE

JN-TW15/JN-TW20



技术规范:

- 1. 公称压力: 1.0MPa
- 2. 工作介质: 水
- 3. 工作温度: 0°C < t < 90°C

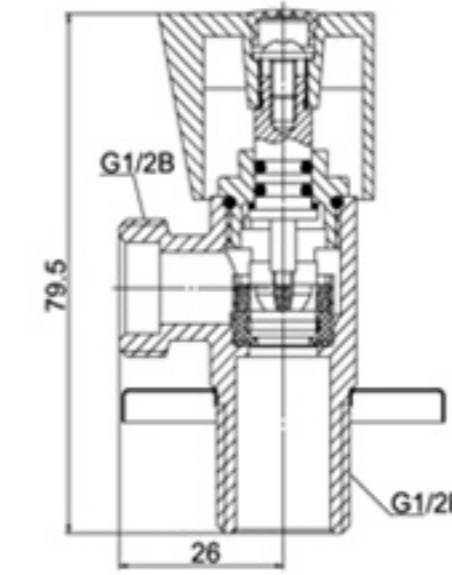
Technical specification

- 1. Nominal pressure: 1.0MPa
- 2. Working Medium: Water
- 3. Working Temperature: 0°C < t < 90°C

DN	SIZE	H	H1	B	G	R
15	1/2	75	42	9.5	G1/2	R1/2
20	3/4	92	51	15	G3/4	R3/4

8318 不锈钢直角阀 STAINLESS STEEL ANGLE VALVE

JWF-BW15 www.finio.cn



技术规范:

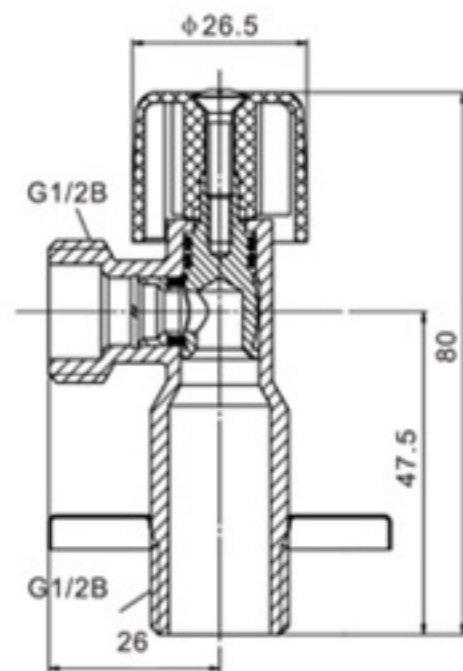
- 1. 公称压力: 1.0MPa
- 2. 工作介质: 水
- 3. 工作温度: 0°C < t < 90°C
- 4. 管螺纹符合ISO 228标准 (GB/T7307)

Technical specification

- 1. Nominal pressure: 1.0MPa
- 2. Working Medium: Water
- 3. Working Temperature: 0°C < t < 90°C
- 4. Pipe thread conform to ISO 228 (GB/T7307)

319 黄铜直角阀 BRASS ANGLE VALVE

JWF-TW15



技术规范:

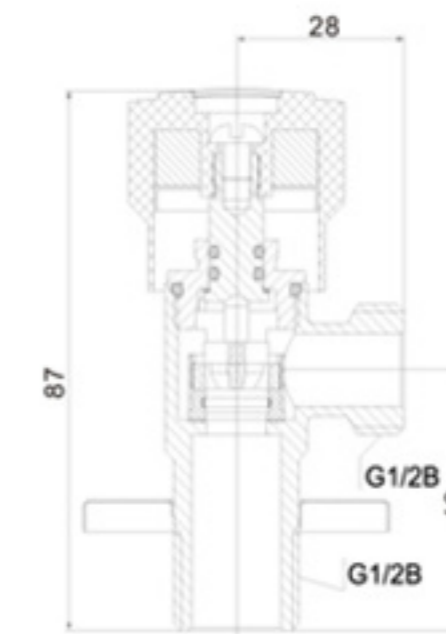
- 1. 公称压力: 1.0MPa
- 2. 工作介质: 水
- 3. 工作温度: 0°C < t < 90°C

Technical specification

- 1. Nominal pressure: 1.0MPa
- 2. Working Medium: Water
- 3. Working Temperature: 0°C < t < 90°C

8319 不锈钢直角阀 STAINLESS STEEL ANGLE VALVE

JWF-BW15



技术规范:

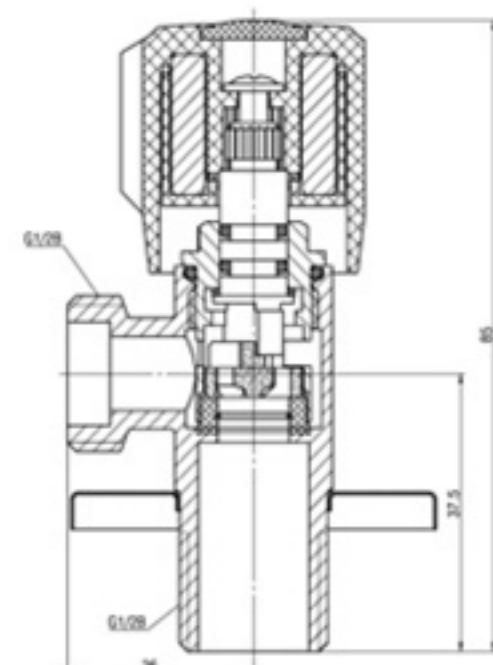
- 1. 公称压力: 1.0MPa
- 2. 工作介质: 水
- 3. 工作温度: 0°C < t < 90°C
- 4. 管螺纹符合ISO 228标准 (GB/T7307)

Technical specification

- 1. Nominal pressure: 1.0MPa
- 2. Working Medium: Water
- 3. Working Temperature: 0°C < t < 90°C
- 4. Pipe thread conform to ISO 228 (GB/T7307)

328 黄铜直角阀 BRASS ANGLE VALVE

JWF-TW15



技术规范:

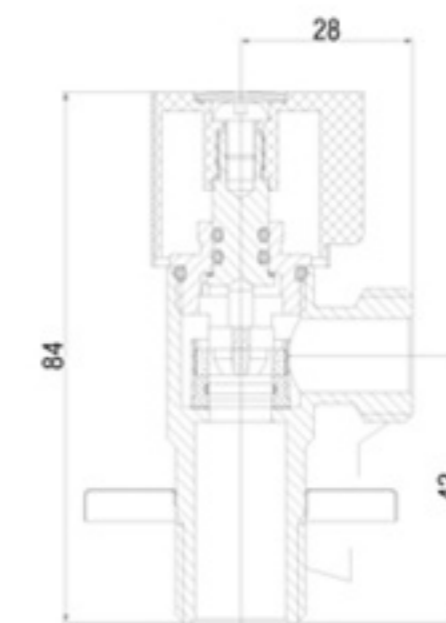
- 1. 公称压力: 1.0MPa
- 2. 工作介质: 水
- 3. 工作温度: 0°C < t < 90°C

Technical specification

- 1. Nominal pressure: 1.0MPa
- 2. Working Medium: Water
- 3. Working Temperature: 0°C < t < 90°C

8320 不锈钢直角阀 STAINLESS STEEL ANGLE VALVE

JWF-BW15

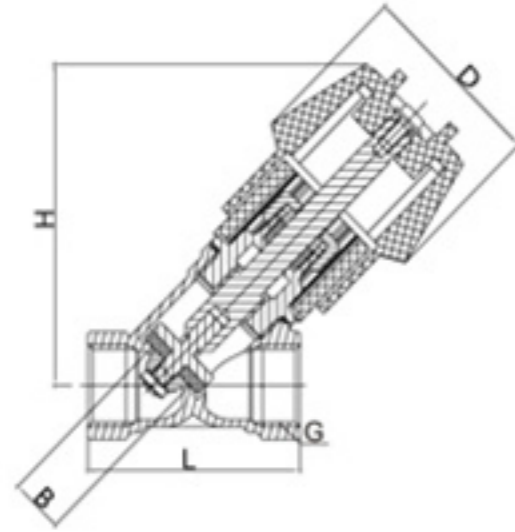


技术规范:

- 1. 公称压力: 1.0MPa
- 2. 工作介质: 水
- 3. 工作温度: 0°C < t < 90°C
- 4. 管螺纹符合ISO 228标准 (GB/T7307)

Technical specification

- 1. Nominal pressure: 1.0MPa
- 2. Working Medium: Water
- 3. Working Temperature: 0°C < t < 90°C
- 4. Pipe thread conform to ISO 228 (GB/T7307)



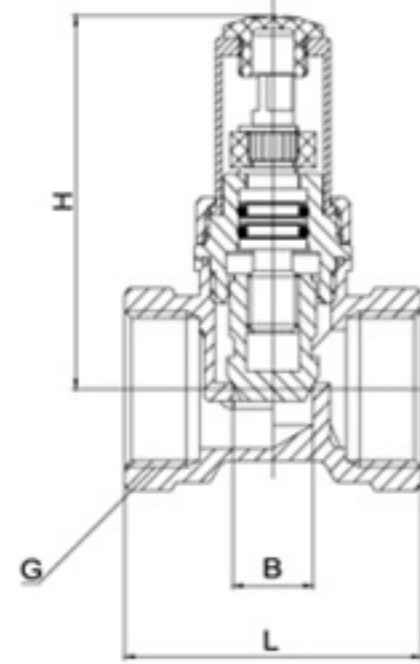
技术规范:

- 1. 公称压力: 1.6MPa
- 2. 工作介质: 水、非腐蚀性液体、空气
- 3. 工作温度: $-10^{\circ}\text{C} \leq t \leq 100^{\circ}\text{C}$
- 4. 管螺纹符合ISO 228标准 (GB/T7307)

Technical specification

- 1. Nominal pressure: 1.6MPa
- 2. Working Medium: Water, Non-corrosive liquid, air
- 3. Working Temperature: $-10^{\circ}\text{C} \leq t \leq 100^{\circ}\text{C}$
- 4. Pipe thread conform to ISO 228 (GB/T7307)

DN	SIZE	L	H	B
15	1/2	56	82	14
20	3/4	69	89	19
25	1	82	97	24
32	1 1/4	90	104	30
40	1 1/2	101	110	38
50	2	123	122	48



技术规范:

- 1. 公称压力: 1.6MPa
- 2. 工作介质: 水
- 3. 工作温度: $0^{\circ}\text{C} < t \leq 90^{\circ}\text{C}$
- 4. 管螺纹符合ISO 228标准 (GB/T7307)

Technical specification

- 1. Nominal pressure: 1.6MPa
- 2. Working Medium: Water
- 3. Working Temperature: $0^{\circ}\text{C} < t \leq 90^{\circ}\text{C}$
- 4. Pipe thread conform to ISO 228 (GB/T7307)

注: 阀瓣: DN15-DN25为黄铜, DN32-DN50为聚四氟乙烯
Note: The valve: DN15 - DN25 brass, DN32 - DN50 PTFE

DN	SIZE	L	B	H
15	1/2	46	11	56.5
20	3/4	52	14	63.5
25	1	65	19	67.5
32	1 1/4	74	25	75
40	1 1/2	80	30.5	82.5
50	2	100	38	91

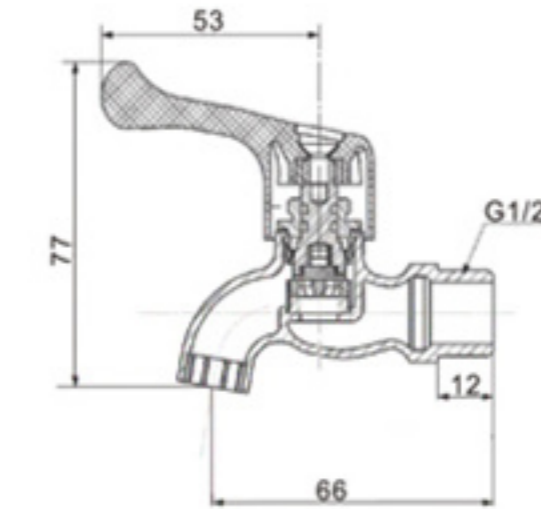
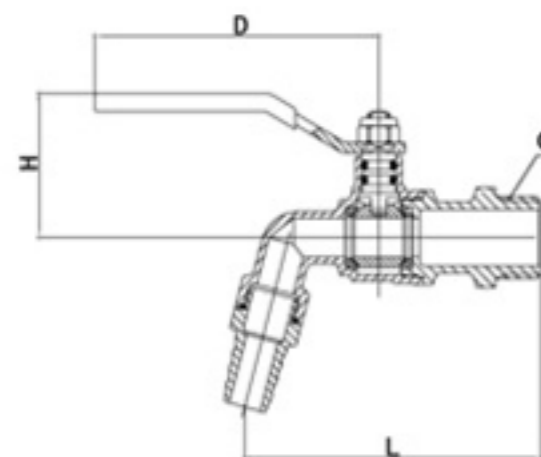
技术规范:

- 1. 公称压力: 1.0MPa
- 2. 工作介质: 水
- 3. 工作温度: $0^{\circ}\text{C} < t \leq 90^{\circ}\text{C}$
- 4. 管螺纹符合ISO 228标准 (GB/T7307)

Technical specification

- 1. Nominal pressure: 1.0MPa
- 2. Working Medium: Water
- 3. Working Temperature: $0^{\circ}\text{C} < t \leq 90^{\circ}\text{C}$
- 4. Pipe thread conform to ISO 228 (GB/T7307)

DN	15	20
H	36.5	38
L	78	85
D	75	85.5



技术规范:

- 1. 公称压力: 1.0MPa
- 2. 工作介质: 水
- 3. 工作温度: $0^{\circ}\text{C} < t \leq 90^{\circ}\text{C}$
- 4. 管螺纹符合ISO 228标准 (GB/T7307)

Technical specification

- 1. Nominal pressure: 1.0MPa
- 2. Working Medium: Water
- 3. Working Temperature: $0^{\circ}\text{C} < t \leq 90^{\circ}\text{C}$
- 4. Pipe thread conform to ISO 228 (GB/T7307)

技术规范:

- 1. 公称压力: 1.0MPa
- 2. 工作介质: 水
- 3. 工作温度: $0^{\circ}\text{C} < t \leq 90^{\circ}\text{C}$
- 4. 管螺纹符合ISO 228标准 (GB/T7307)

Technical specification

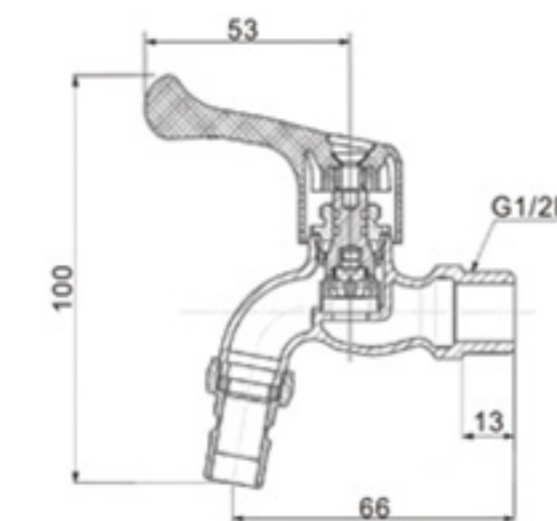
- 1. Nominal pressure: 1.0MPa
- 2. Working Medium: Water
- 3. Working Temperature: $0^{\circ}\text{C} < t \leq 90^{\circ}\text{C}$
- 4. Pipe thread conform to ISO 228 (GB/T7307)

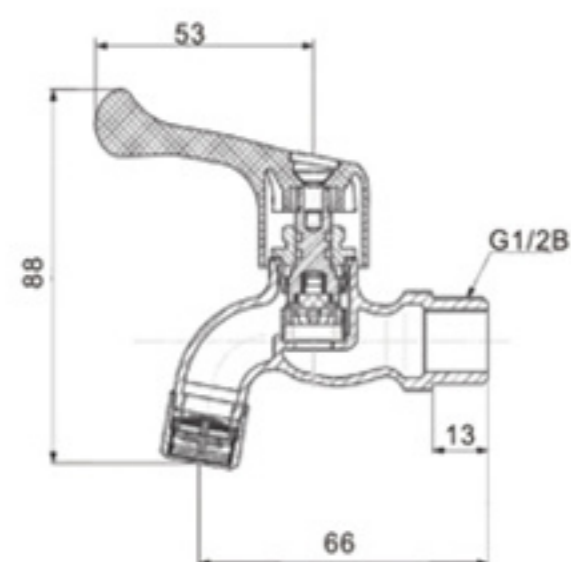
技术规范:

- 1. 公称压力: 1.0MPa
- 2. 工作介质: 水
- 3. 工作温度: $0^{\circ}\text{C} < t \leq 90^{\circ}\text{C}$
- 4. 管螺纹符合ISO 228标准 (GB/T7307)

Technical specification

- 1. Nominal pressure: 1.0MPa
- 2. Working Medium: Water
- 3. Working Temperature: $0^{\circ}\text{C} < t \leq 90^{\circ}\text{C}$
- 4. Pipe thread conform to ISO 228 (GB/T7307)



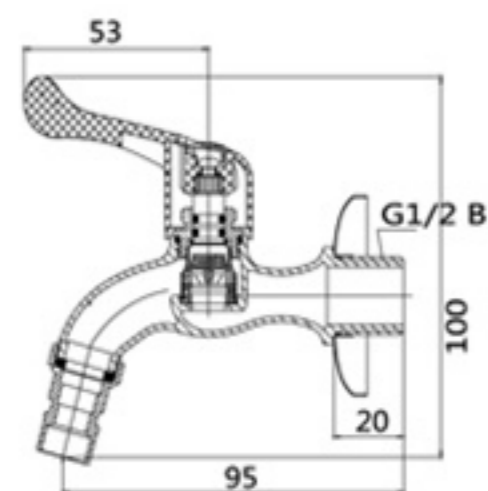


技术规范:

- 1. 公称压力: 1.0MPa
- 2. 工作介质: 水
- 3. 工作温度: $0^{\circ}\text{C} < t \leq 90^{\circ}\text{C}$
- 4. 管螺纹符合ISO 228标准 (GB/T7307)

Technical specification

- 1. Nominal pressure: 1.0MPa
- 2. Working Medium: Water
- 3. Working Temperature: $0^{\circ}\text{C} < t \leq 90^{\circ}\text{C}$
- 4. Pipe thread conform to ISO 228 (GB/T7307)

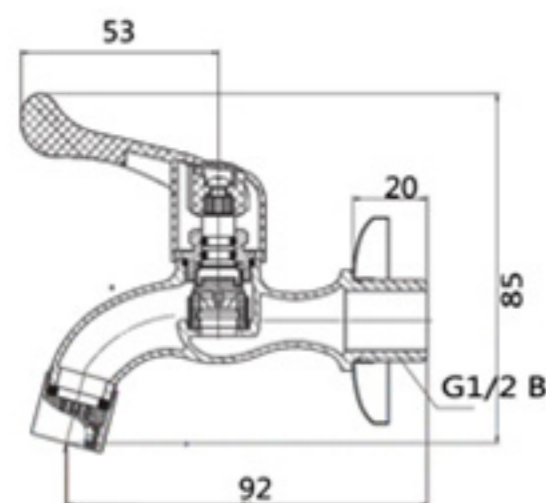


技术规范:

- 1. 公称压力: 1.0MPa
- 2. 工作介质: 水
- 3. 工作温度: $0^{\circ}\text{C} < t \leq 90^{\circ}\text{C}$
- 4. 管螺纹符合ISO 228标准 (GB/T7307)

Technical specification

- 1. Nominal pressure: 1.0MPa
- 2. Working Medium: Water
- 3. Working Temperature: $0^{\circ}\text{C} < t \leq 90^{\circ}\text{C}$
- 4. Pipe thread conform to ISO 228 (GB/T7307)



技术规范:

- 1. 公称压力: 1.0MPa
- 2. 工作介质: 水
- 3. 工作温度: $0^{\circ}\text{C} < t \leq 90^{\circ}\text{C}$
- 4. 管螺纹符合ISO 228标准 (GB/T7307)

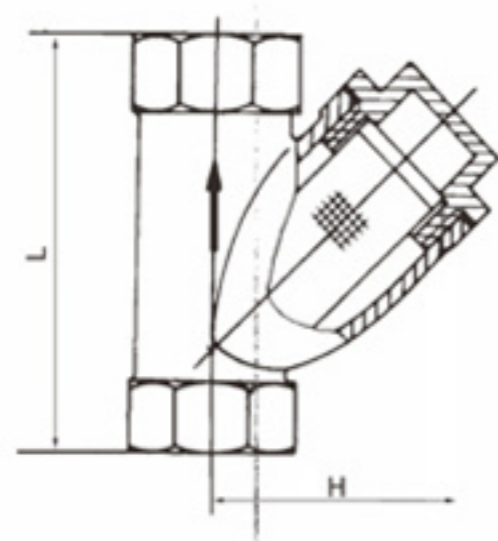
Technical specification

- 1. Nominal pressure: 1.0MPa
- 2. Working Medium: Water
- 3. Working Temperature: $0^{\circ}\text{C} < t \leq 90^{\circ}\text{C}$
- 4. Pipe thread conform to ISO 228 (GB/T7307)



601A 黄铜过滤器 BRASS STRAINER

SY11-16T www.finio.cn



- 技术规范:
- 1. 公称压力: 1.6MPa
 - 2. 工作介质: 水、非腐蚀性液体
 - 3. 工作温度: $-20^{\circ}\text{C} \leq t \leq 150^{\circ}\text{C}$
 - 4. 管螺纹符合ISO 228标准(GB/T7307)

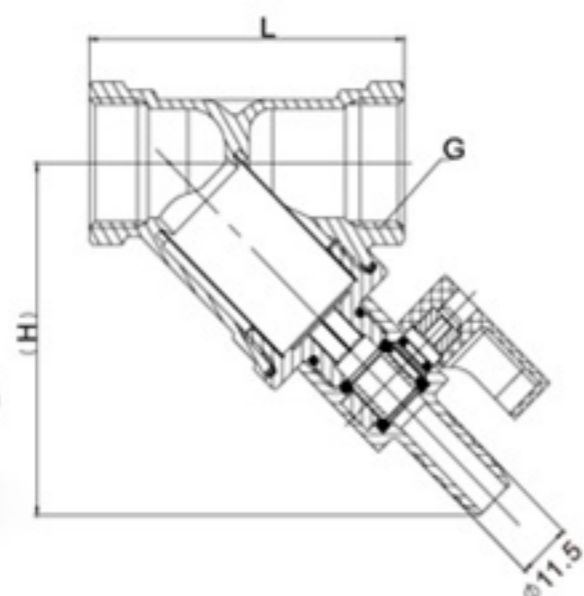
- Technical specification
- 1. Nominal pressure: 1.6MPa
 - 2. Working Medium: Water, non-corrosive liquid
 - 3. Working Temperature: $-20^{\circ}\text{C} \leq t \leq 150^{\circ}\text{C}$
 - 4. Pipe thread conform to ISO 228 (GB/T7307)

注: 601A阀体为铸造工艺
Note: 601A valve body casting

DN	15	20	25	32	40	50	65	80	100
SIZE	1/2	3/4	1	1 1/4	1 1/2	2	2 1/2	3	4
L	70	84	100	117	137	170	205	220	265
(目数)	18								12

602 黄铜排污过滤器 BRASS SEWAGE FILTER

SY11-16T



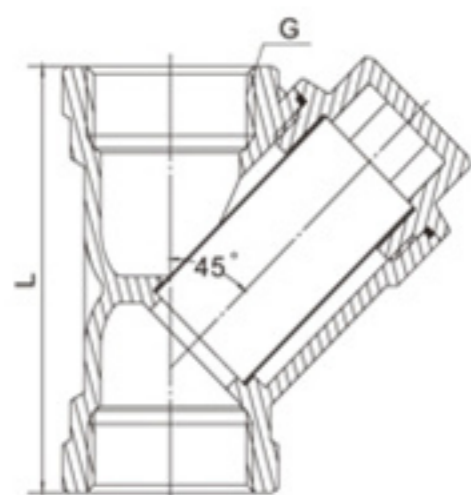
- 技术规范:
- 1. 公称压力: 1.6MPa
 - 2. 工作介质: 水、非腐蚀性液体
 - 3. 工作温度: $0^{\circ}\text{C} < t \leq 110^{\circ}\text{C}$
 - 4. 管螺纹符合ISO 228标准(GB/T7307)

- Technical specification
- 1. Nominal pressure: 1.6MPa
 - 2. Working Medium: Water, non-corrosive liquid
 - 3. Working Temperature: $0^{\circ}\text{C} < t \leq 110^{\circ}\text{C}$
 - 4. Pipe thread conform to ISO 228 (GB/T7307)

DN	15	20	25	32	40	50
SIZE	1/2	3/4	1	1 1/4	1 1/2	2
L	55	67	89	100	100	122
H	67	72	84	89	89	101
(目数)	18					

586 青铜过滤器 BRONZE STRAINER

SY11-20T

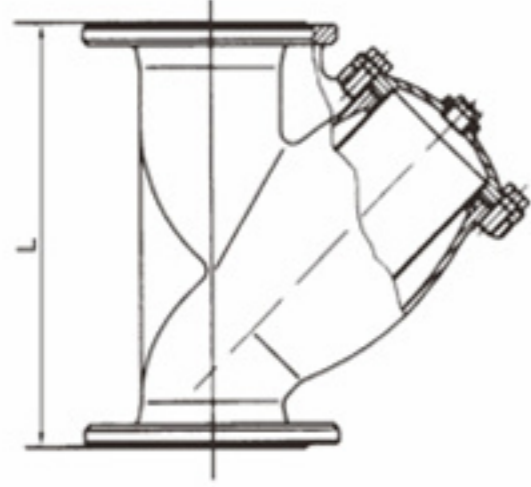


- 技术规范:
- 1. 公称压力: 2.0MPa
 - 2. 工作介质: 水、非腐蚀性液体、饱和蒸汽
 - 3. 工作温度: $-20^{\circ}\text{C} \leq t \leq 180^{\circ}\text{C}$
 - 4. 管螺纹符合ISO 228标准(GB/T7307)

- Technical specification
- 1. Nominal pressure: 2.0MPa
 - 2. Working Medium: Water, Non-corrosive liquid, Saturated steam
 - 3. Working Temperature: $-20^{\circ}\text{C} \leq t \leq 180^{\circ}\text{C}$
 - 4. Pipe thread conform to ISO 228 (GB/T7307)

DN	SIZE	L	目数
15	2/1	54.5	18
20	4/3	65	
25	1	78	
32	1 1/4	85	
40	1 1/2	99	
50	2	118	





技术规范:

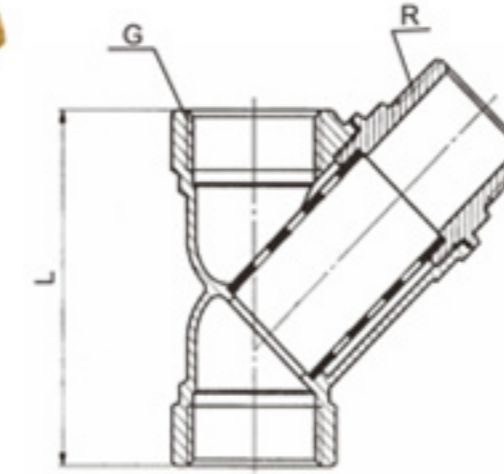
- 1. 公称压力: 1.6MPa
- 2. 工作介质: 水
- 3. 工作温度: $0^{\circ}\text{C} < t \leq 100^{\circ}\text{C}$
- 4. 法兰安装连接尺寸符合GB/T15530.1-2008

Technical specification

- 1. Nominal pressure: 1.6MPa
- 2. Working Medium: Water
- 3. Working Temperature: $0^{\circ}\text{C} < t \leq 100^{\circ}\text{C}$
- 4. Flanged standard conform to GB/T 15530.1-2008

注: 法兰连接尺寸与106产品相同
Note: Flange Size as Model 106

DN	40	50	65	80	100	125	150	200	250	300
L	204	244	279	305	362	412	478	555	650	750
(目数)	10					5				



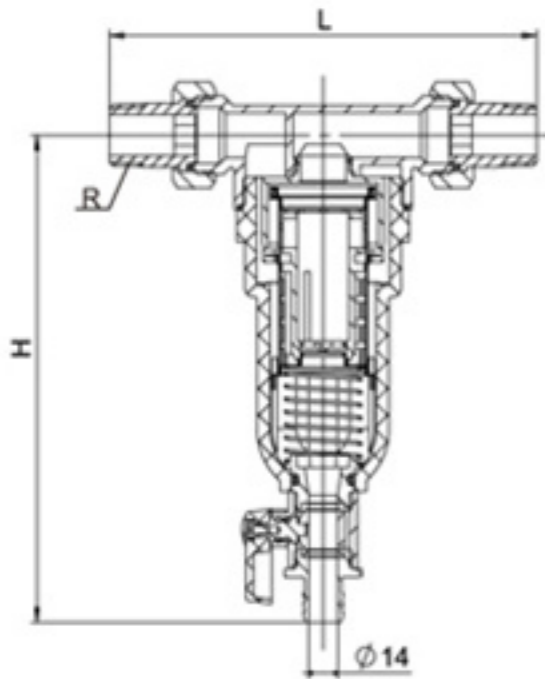
技术规范:

- 1. 公称压力: 1.6MPa
- 2. 工作介质: 水、非腐蚀性液体
- 3. 工作温度: $-20^{\circ}\text{C} \leq t \leq 150^{\circ}\text{C}$
- 4. 管螺纹符合ISO 228标准(GB/T7307)/ISO 7标准(GB/T7306.2)

Technical specification

- 1. Nominal pressure: 1.6MPa
- 2. Working Medium: Water, Non-corrosive liquid
- 3. Working Temperature: $-20^{\circ}\text{C} \leq t \leq 150^{\circ}\text{C}$
- 4. Pipe thread conform to ISO 228 (GB/T7307)/ISO 7 (GB/T7306.2)

DN	15	20	25	32	40	50	65	80	100	
L	56	69	82	90	101	123	174	199	245	
(目数)	18					15				



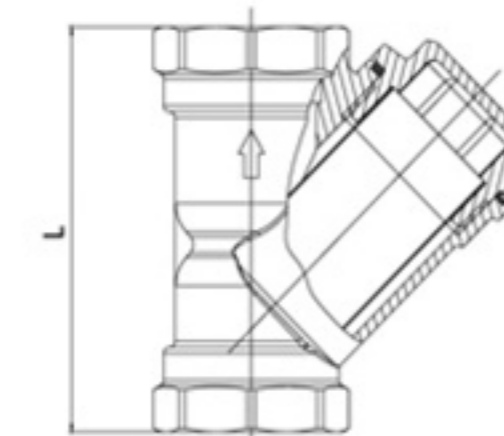
技术规范:

- 1. 公称压力: 1.6MPa
- 2. 工作介质: 水
- 3. 工作温度: $0^{\circ}\text{C} < t < 60^{\circ}\text{C}$
- 4. 管螺纹符合: ISO 7(GB/T 7306)
- 5. 过滤精度: 100 μm

Technical specification

- 1. Nominal Pressure: 1.6MPa
- 2. Working Medium: water
- 3. Working Temperature: $0^{\circ}\text{C} < t < 60^{\circ}\text{C}$
- 4. Pipe Thread conform to: ISO 7 (GB/T 7306)
- 5. Filter Precision: 100 μm

DN	SIZE	H	L
15	1/2	164.3	149
20	3/4	166.8	167.4
25	1	169.8	184



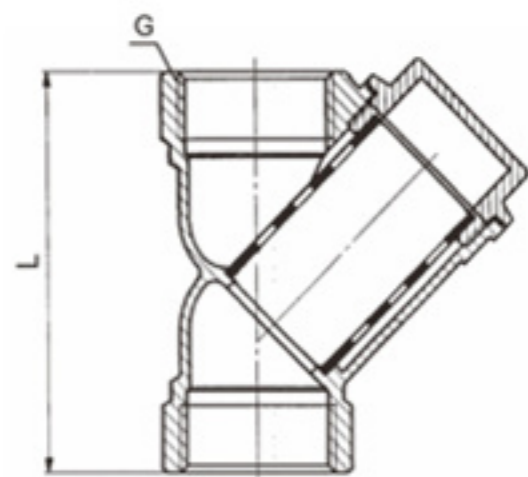
技术规范:

- 1. 公称压力: 1.6MPa
- 2. 工作介质: 水、非腐蚀性液体
- 3. 工作温度: $-20^{\circ}\text{C} \leq t \leq 150^{\circ}\text{C}$
- 4. 管螺纹符合ISO 228标准(GB/T7307)

Technical specification

- 1. Nominal pressure: 1.6MPa
- 2. Working Medium: Water, non-corrosive liquid
- 3. Working Temperature: $-20^{\circ}\text{C} \leq t \leq 150^{\circ}\text{C}$
- 4. Pipe thread conform to ISO 228 (GB/T7307)

DN	15	20	25	32	40	50	65	80	100	
SIZE	1/2	3/4	1	1 1/4	1 1/2	2	2 1/2	3	4	
L	55	67	81	89	100	122	151	174	219	
(目数)	18					15				



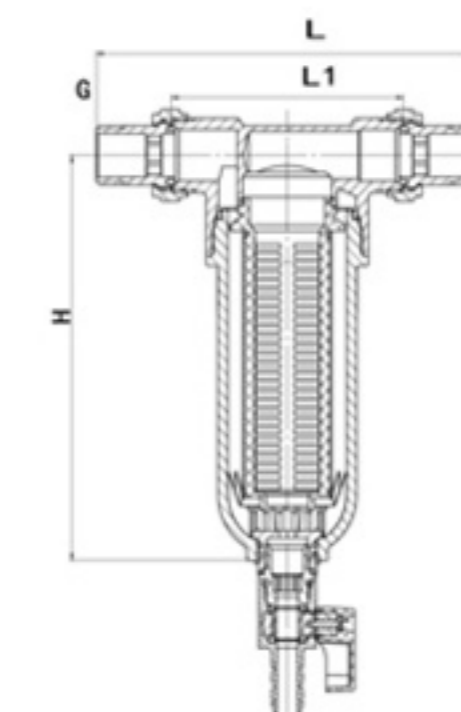
技术规范:

- 1. 公称压力: 1.6MPa
- 2. 工作介质: 水、非腐蚀性液体
- 3. 工作温度: $-20^{\circ}\text{C} \leq t \leq 150^{\circ}\text{C}$
- 4. 圆柱管螺纹符合ISO 228标准(GB/T7307)

Technical specification

- 1. Nominal pressure: 1.6MPa
- 2. Working Medium: Water, non-corrosive liquid
- 3. Working Temperature: $-20^{\circ}\text{C} \leq t \leq 150^{\circ}\text{C}$
- 4. Parallel pipe thread conform to ISO 228 (GB/T7307)

PartNo.	DN	15	20	25	32	40	50	65	80	100
606	L	56	69	82	90	101	123	174	199	245
(目数)	18					15				



技术规范:

- 1. 公称压力: 1.6MPa
- 2. 工作介质: 市政自来水
- 3. 工作温度: $5^{\circ}\text{C} < t \leq 38^{\circ}\text{C}$
- 4. 管螺纹符合ISO 228标准(GB/T7307)
- 5. 过滤精度: 75 μm

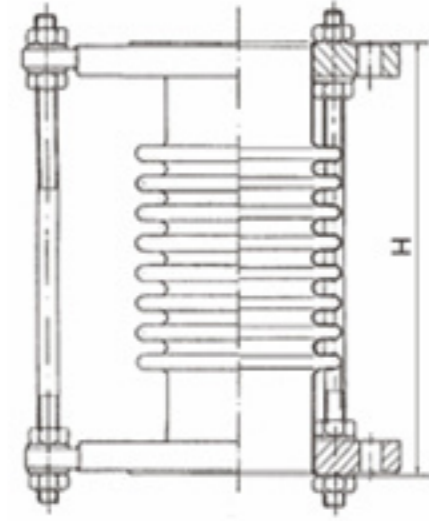
Technical specification

- 1. Nominal pressure: 1.6MPa
- 2. Working Medium: Water
- 3. Working Temperature: $5^{\circ}\text{C} < t \leq 38^{\circ}\text{C}$
- 4. Pipe thread conform to ISO 228 (GB/T7307)
- 5. Filtration accuracy: 75 μm

DN	SIZE	L	L1	H
20	3/4	152	90	145



669A/669B



- 技术规范:**
- 1. 公称压力: 1.6MPa
 - 2. 工作介质: 水、非腐蚀性液体、饱和蒸汽
 - 3. 工作温度: 0°C < t ≤ 120°C
 - 4. 法兰安装连接尺寸符合 GB/T 9113.3-2000

- Technical specification**
- 1. Nominal pressure: 1.6MPa
 - 2. Working Medium: Water, Non-corrosive liquid, Saturated steam
 - 3. Working Temperature: 0°C < t ≤ 120°C
 - 4. Flanged standard conform to GB/T 9113.3-2000

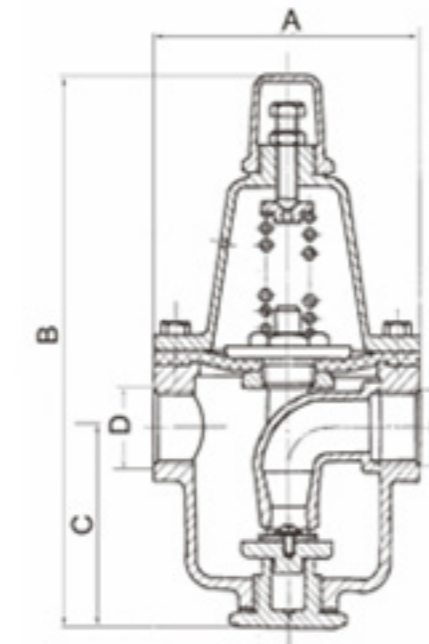
注: 1. 669A/669C 法兰为碳钢, 669B/669D 法兰为 304 不锈钢
2. 波纹管材料为: SUS304
3. 用户需要特殊高度或变化量的产品, 应在订货合同中加以说明。

Note: 1. 669A/669C Flange material: Carbon Steel, 669B/669D Flange material: S.S
2. Rippling pipe material: SUS 304
3. Please note in the purchase order if have specific need of height or any other changes of the specification.



669C/669D

规格 size	部位 part															
	1/4"	1/2"	2"	2 1/2"	3"	4"	5"	6"	8"	10"	12"	16"	20"			
法兰外径 Flange DIA	140	150	165	185	200	220	250	285	340	405	460	580	715			
螺栓孔中心圆直径 Bolt Circle	100	110	125	145	160	180	210	240	295	355	410	525	650			
螺栓孔直径 Bolt DIA	18	18	18	18	18	18	18	22	22	26	26	30	33			
螺栓孔个数 Bolt Holes	4	4	4	4	8	8	8	8	12	12	12	16	20			
669A 669B	高度H Height	145	160	180	208	256	280	330	378	530	450	510	530			
	波纹长度 Length	61	69	92	108	132	153	172	201	282	200	210	245			
	波纹个数 Rippling Number	8	8	8	8	8	8	8	8	6	6	6	6			
669C 669D	高度H Height	145	160	180	208	256	280	330	378	530	450	510	530			
	波纹长度 Length	110	124	140	168	216	236	286	330	482	398	454	458			
	波纹个数 Rippling Number	全波														



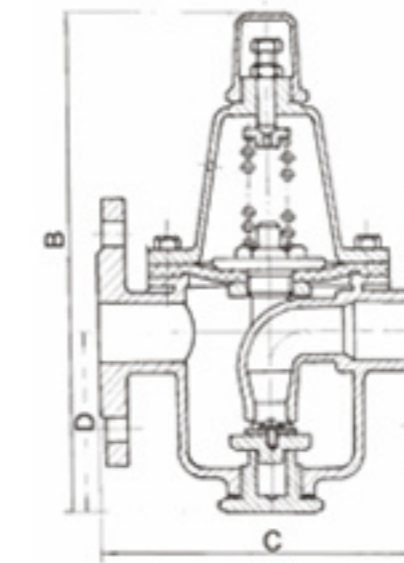
- 技术规范:**
- 1. 公称压力: 1.0MPa
 - 2. 工作介质: 水
 - 3. 工作温度: 0°C < t ≤ 70°C
 - 4. 圆柱管螺纹符合: ISO 228 (GB/T 7307)
 - 5. 出口压力调节范围: 当进口压力为 1.0MPa 时 出口压力为 0.15MPa-0.45MPa; 当进口压力小于 1.0MPa 时 出口压力相应降低

- Technical specification**
- 1. Nominal Pressure: 1.0MPa
 - 2. Working Medium: water
 - 3. Working Temperature: 0°C < t ≤ 70°C
 - 4. Parallel pipe Thread conform to: ISO 228 (GB/T 7307)
 - 5. Output pressure: When input pressure is 1.0MPa output pressure is 0.15MPa-0.45MPa. When input pressure less than 1.0MPa output pressure reduce accordingly

注: 用户需要特殊工作温度的产品, 请在订货合同中加以说明

Note: Please note in the purchase order if need specific working temperature

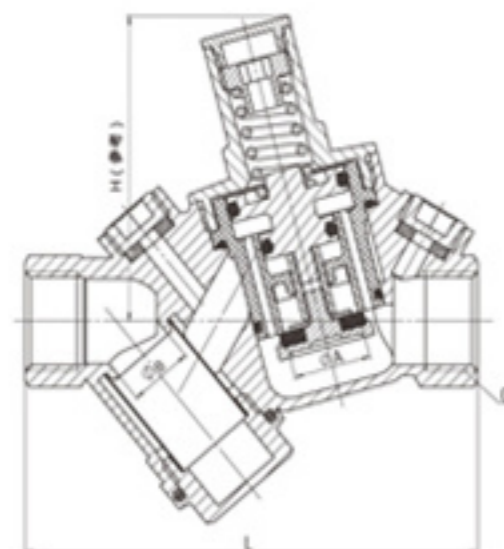
DN	A	B	C	D
15	92	199	69	G1/2
20	104	209	75	G3/4
25	127	263	82	G1
32	155	315	90.5	G1 1/4
40	180	382	99	G1 1/2
50	204	409	109	G2



- 技术规范:**
- 1. 公称压力: 1.0MPa
 - 2. 工作介质: 水
 - 3. 工作温度: 0°C < t ≤ 70°C
 - 4. 出口压力调节范围: 当进口压力为 1.0MPa 时 出口压力为 0.15MPa-0.45MPa; 当进口压力小于 1.0MPa 时 出口压力相应降低
 - 5. 法兰安装连接尺寸符合 GB/T 15530.1-2008

- Technical specification**
- 1. Nominal pressure: 1.0MPa
 - 2. Working Medium: Water
 - 3. Working Temperature: 0°C < t ≤ 70°C
 - 4. Output pressure: When input pressure is 1.0MPa output pressure is 0.15MPa-0.45MPa. When input pressure less than 1.0MPa output pressure reduce accordingly
 - 5. Flanged standard conform to GB/T 15530.1-2008

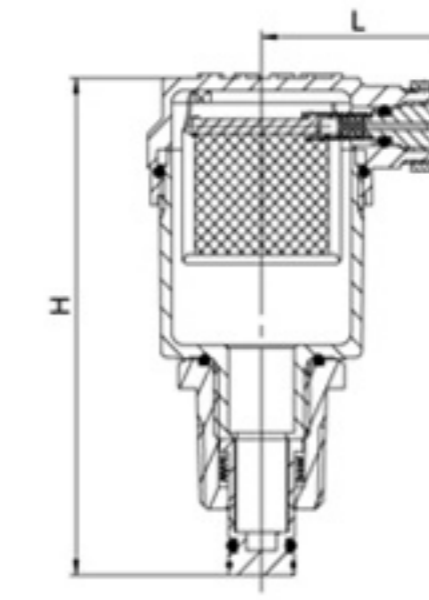
DN	B	C	D
50	409	280	109



- 技术规范:**
- 1. 工作压力: 1.6MPa
 - 2. 工作介质: 水
 - 3. 工作温度: 0°C < t ≤ 80°C
 - 4. 进口压力为 1.6MPa, 出口压力调节范围为 0.25-0.6MPa; 进口压力为 0.8MPa, 出口压力调节范围为 0.15-0.45MPa
 - 5. 出厂设定出口压力: 0.3MPa
 - 6. 管螺纹符合 ISO 228 标准 (GB/T 7307)

- Technical specification**
- 1. Nominal pressure: 1.6MPa
 - 2. Working medium: Water
 - 3. Working temperature: 0°C < t ≤ 80°C
 - 4. The inlet pressure is 1.6MPa, and the outlet pressure adjustment range is 0.25-0.6MPa. The inlet pressure is 0.8MPa, and the outlet pressure adjustment range is 0.15-0.45MPa
 - 5. Factory setting outlet pressure: 0.3MPa
 - 6. Pipe thread according to ISO 228 standard (GB/T 7307)

DN	L	H (参考)	ΦA	ΦB	G
15	99.5	65	17	14	1/2
20	101	65	17	14	3/4
25	114	74.6	19	19	1
32	158	108	30	30	1 1/4
40	162	108	30	30	1 1/2
50	183	124	38	38	2

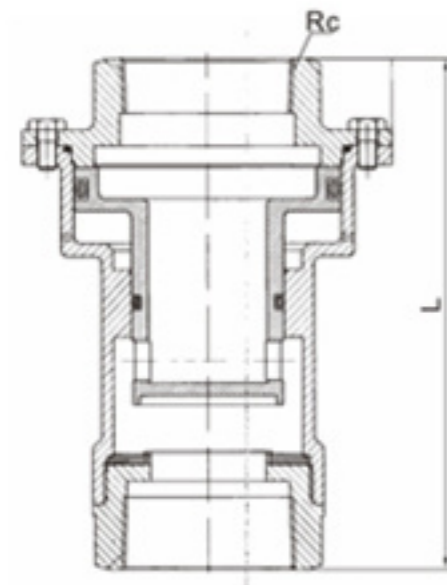


- 技术规范:**
- 1. 公称压力: 1.6MPa
 - 2. 工作介质: 水
 - 3. 工作温度: 0°C < t ≤ 90°C
 - 4. 管螺纹符合 ISO 7 标准 (GB/T 7306.2)

- Technical specification**
- 1. Nominal pressure: 1.6MPa
 - 2. Working Medium: Water
 - 3. Working Temperature: 0°C < t ≤ 90°C
 - 4. Pipe thread conform to ISO 7 (GB/T 7306.2)

DN	SIZE	H	L
15	1/2	80	32.5
20	3/4	80	32.5
25	1	80	32.5

712~717 黄铜比例减压阀 BRASS PROPORTIONAL PRESSURE REDUCING VALVE Y13X-16T



技术规范:

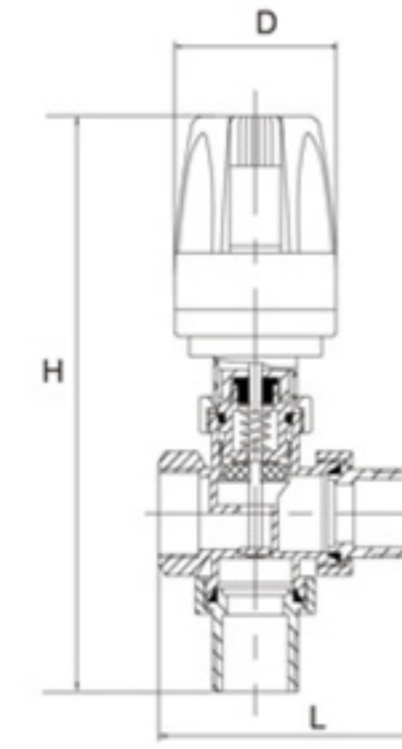
- 1. 公称压力: 1.6MPa
- 2. 最高工作压力: 1.6MPa
- 3. 工作介质: 水
- 4. 工作温度: 0°C < t ≤ 90°C
- 5. 管螺纹符合 ISO 7 标准 (GB/T 7306.2)

Technical specification

- 1. Nominal pressure: 1.6MPa
- 2. Max Working pressure: 1.6MPa
- 3. Working Medium: Water
- 4. Working Temperature: 0°C < t ≤ 90°C
- 5. Pipe thread conform to ISO 7 (GB/T 7306.2)

规格	712	713	714	715	716	717
部位	2:1	3:1	4:1	5:1	3:2	5:2
15	105	105	105	105	105	105
20	112.5	112.5	115	115.5	112.5	112.5
25	128.5	132.5	133	135.5	128.5	132.5
32	142	143	144.5	152.5	142	143.2
40	158	159	167.5	175.5	158	159
50	182	188	196	206	182	188.5
65	206	214	225	233.5	206	280.5
80	244.5	255.5	267	279	244.5	255.5
100	294	304	320	334.5	294	304

737 黄铜三通散热器恒温控制阀 BRASS THREE-WAY RADIATOR THERMOSTATIC CONTROL VALVE



技术规范:

- 1. 公称压力: 1.6MPa
- 2. 工作介质: 水
- 3. 管螺纹符合 ISO 228 标准 (GB/T 7307)
- 4. 标准号: GB/T 29414
- 5. 温度控制范围: 6°C ≤ t ≤ 28°C, 恒温控制器外壳上的调温刻度值与对应的参考室温如下:

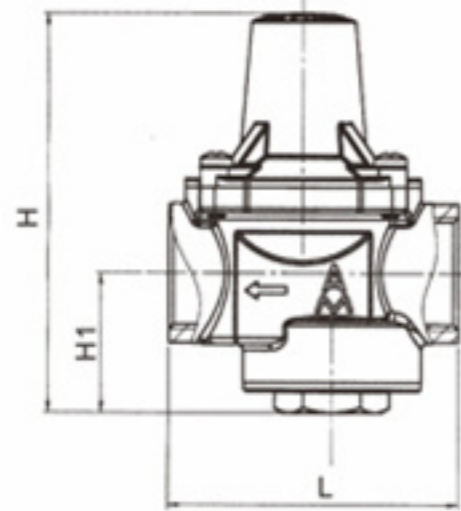
室温(°C)	6	12	16	20	24	28
刻度值	*	1	2	3	4	5

Technical specification

- 1. Nominal pressure: 1.6MPa
- 2. Working Medium: Water
- 3. Pipe thread conform to ISO 228 (GB/T 7307)
- 4. Standard number: GB/T 29414
- 5. Working Temperature: 6-28°C

DN	G	L	H	D
15	1/2	79.5	172	50.5
20	3/4	88	178.5	50.5
25	1	96	184.5	50.5

718 黄铜可调式减压阀 BRASS ADJUSTABLE PRESSURE REDUCING VALVE Y12X-16T



技术规范:

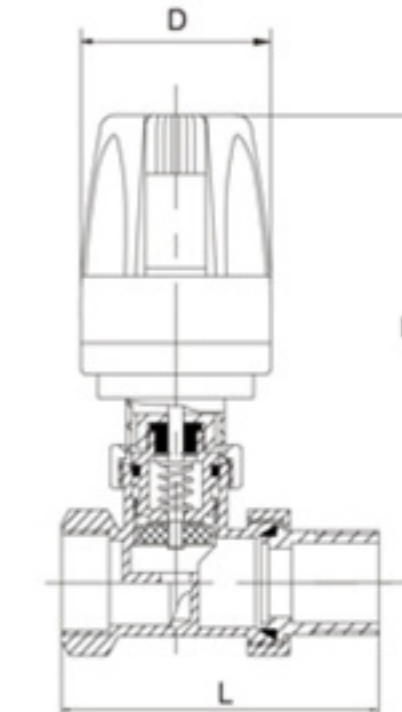
- 1. 公称压力: 1.6MPa
- 2. 工作介质: 水
- 3. 工作温度: 0°C < t ≤ 80°C
- 4. 在进口压力为 1.6MPa, 出口压力可调节范围为 0.15-0.45MPa
- 5. 出厂设定出口压力: 0.3MPa
- 6. 管螺纹符合 ISO 228 标准 (GB/T 7307)

Technical specification

- 1. Nominal pressure: 1.6MPa
- 2. Working Medium: Water
- 3. Working Temperature: 0°C < t ≤ 80°C
- 4. In the inlet pressure is 1.6MPa, the outlet pressure can be adjusted in the range of 0.15 - 0.45MPa
- 5. Factory set outlet pressure: 0.3MPa
- 6. Pipe thread conform to ISO 228 (GB/T 7307)

DN	15	20	25	32	40	50
L	70	76	88	105	124	147
H	82	94	115	158	177	208
H1	29.5	32.5	34.5	42.5	50	58

737A 黄铜内外螺纹散热器恒温控制阀 BRASS INTERNAL-EXTERNAL THREADS CONSTANT-TEMPERATURE VALVE FOR RADIATOR HW-15-D/HW-20-D/HW-25-D



技术规范:

- 1. 公称压力: 1.6MPa
- 2. 工作介质: 水
- 3. 管螺纹符合 ISO 228 标准 (GB/T 7307)
- 4. 标准号: GB/T 29414
- 5. 温度控制范围: 6°C ≤ t ≤ 28°C, 恒温控制器外壳上的调温刻度值与对应的参考室温如下:

室温(°C)	6	12	16	20	24	28
刻度值	*	1	2	3	4	5

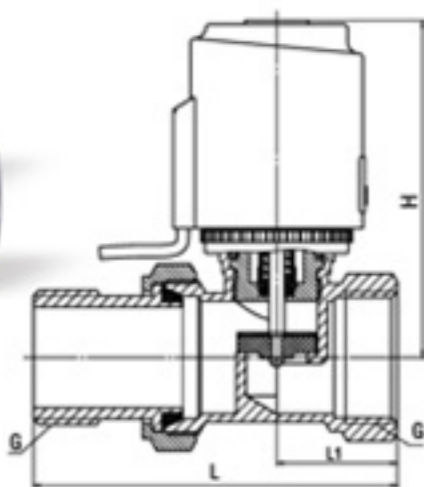
Technical specification

- 1. Nominal pressure: 1.6MPa
- 2. Working Medium: Water
- 3. Pipe thread conform to ISO 228 (GB/T 7307)
- 4. Standard number: GB/T 29414
- 5. Working Temperature: 6-28°C

DN	SIZE	L	H	D
15	1/2	75.5	117.5	50
20	3/4	86	117	50
25	1	92.5	118	50

734 电热恒温控制阀 ELECTRIC THERMOSTATIC CONTROL VALVE

AQDF15L2/AQDF20L2/AQDF25L2



技术规范:

- 1. 公称压力: 1.6MPa
- 2. 工作介质: 水
- 3. 介质温度: 0°C ≤ t ≤ 95°C
- 4. 电机电压: AC220V
- 5. 电机频率: 50/60Hz
- 6. 管螺纹符合 ISO 228 (GB/T 7307) 标准

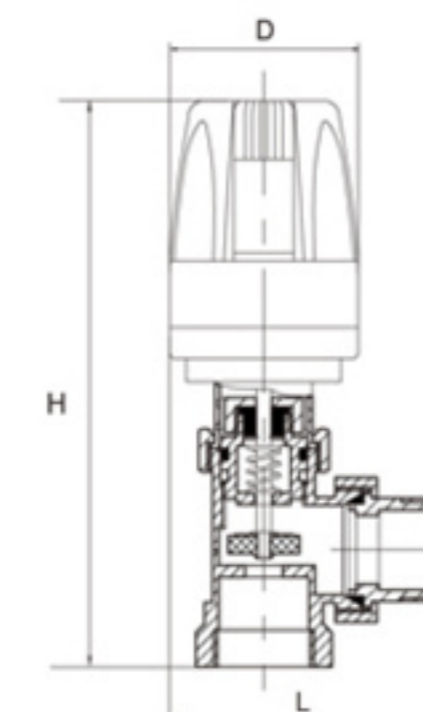
Technical specification

- 1. Nominal pressure: 1.6MPa
- 2. Working Medium: Water
- 3. Working Temperature: 0-95°C
- 4. Motor voltage: AC220V
- 5. Motor frequency: 50/60Hz
- 6. Pipe thread conforms to ISO 228 (GB/T 7307)

DN	连接螺纹	L1	H	D
15	G1/2	28	82	82
20	G3/4	29	86	82
25	G1	31.5	95	85

737B 黄铜角式散热器恒温控制阀 BRASS ANGLE CONSTANT-TEMPERATURE VALVE FOR RADIATOR

HW-J15-D/HW-J20-D



技术规范:

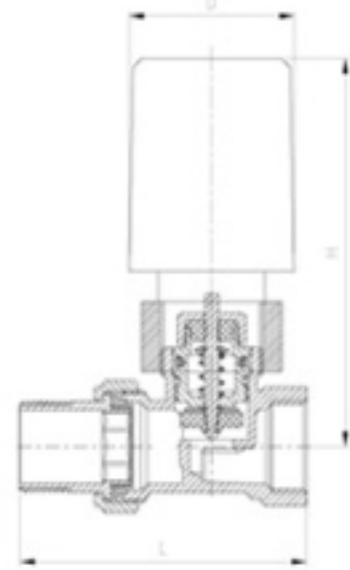
- 1. 公称压力: 1.6MPa
- 2. 工作介质: 水
- 3. 管螺纹符合 ISO 228 标准 (GB/T 7307)
- 4. 标准号: GB/T 29414
- 5. 温度控制范围: 6°C ≤ t ≤ 28°C, 恒温控制器外壳上的调温刻度值与对应的参考室温如下:

室温(°C)	6	12	16	20	24	28
刻度值	*	1	2	3	4	5

Technical specification

- 1. Nominal pressure: 1.6MPa
- 2. Working Medium: Water
- 3. Pipe thread conform to ISO 228 (GB/T 7307)
- 4. Standard number: GB/T 29414
- 5. Working Temperature: 6-28°C

DN	SIZE	L	H	D
15	1/2	75	137	50
20	3/4	81	141	50



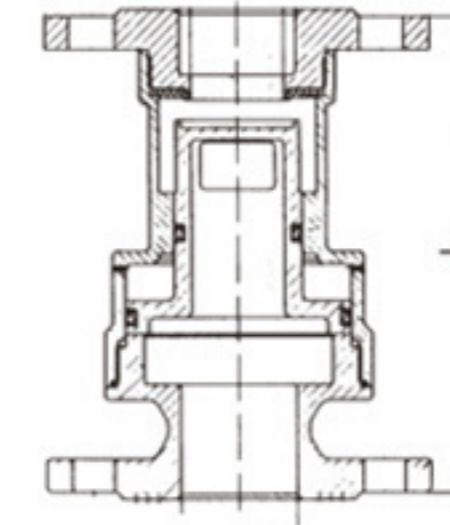
技术规范:

- 1. 电压: AC24V, 110V, 230-220V
- 2. 功耗: 2W
- 3. 全程时间: 3-5min
- 4. 环境温度: $-5^{\circ}\text{C} \leq t \leq 60^{\circ}\text{C}$
- 5. 引线长度: 900mm
- 6. 恒温阀口径: DN15-DN32

Technical specification

- 1. Voltage: AC24V, 110V, 230-220V
- 2. Power consumption: 2W
- 3. Duration: 3-5min
- 4. Ambient temperature: $-5-60^{\circ}\text{C}$
- 5. Lead Length: 900mm
- 6. Thermostatic valve diameter: DN15-DN32

DN	G	L	H	D
15	1/2	75.5	89.5	43
20	3/4	86	89	43
25	1	92.5	90	43



技术规范:

- 1. 公称压力: 1.6MPa
- 2. 工作介质: 水
- 3. 工作温度: $0^{\circ}\text{C} < t \leq 90^{\circ}\text{C}$
- 4. 法兰安装连接尺寸符合GB/T15530.1-2008

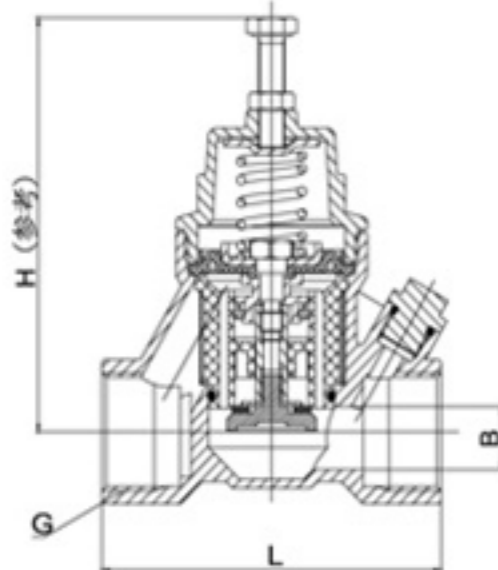
Technical specification

- 1. Nominal pressure: 1.6MPa
- 2. Working Medium: Water
- 3. Working Temperature: $0^{\circ}\text{C} < t \leq 90^{\circ}\text{C}$
- 4. Flanged standard conform to GB/T 15530.1-2008

注: 法兰连接尺寸与106产品相同
Note: Flange Size as Model 106

规格长度 (L) 规格	722	723	724	725	726	727
DN	2:1	3:1	4:1	5:1	3:2	5:2
15	99	124	124	124	99	124
20	104.5	129.5	132	132.5	104.5	129.5
25	117.5	146.5	147	149.5	117.5	146.5
32	131	160	161.5	169.5	131	160
40	147.5	177.5	186	194	147.5	177.5
50	171	207.5	215	225	171	207.5
65	185	219	230	242.5	185	219
80	248.5	254.5	270.5	286	248.5	354.5
100	320	324	344	359.5	320	324
125	337	345	371.5	390	258	346
150	372	394.5	417.5	432.5	295	383.5
200	443.5	475.5	497.5	516.5	365	462.5

Y12X-16T



技术规范:

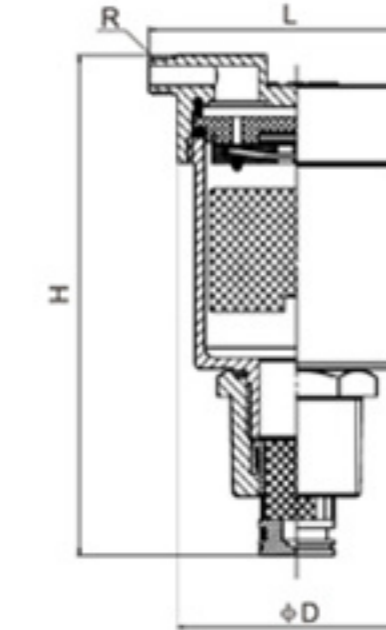
- 1. 公称压力: 1.6MPa
- 2. 工作介质: 水
- 3. 工作温度: $0^{\circ}\text{C} < t \leq 80^{\circ}\text{C}$
- 4. 在进口压力为1.0MPa, 出口压力可调节范围为0.15-0.45MPa
- 5. 出厂设定出口压力: 0.3MPa
- 6. 管螺纹符合ISO 228标准(GB/T7307)

Technical specification

- 1. Nominal pressure: 1.6MPa
- 2. Working Medium: Water
- 3. Working Temperature: $0^{\circ}\text{C} < t \leq 80^{\circ}\text{C}$
- 4. In the inlet pressure is 1.0MPa, the outlet pressure can be adjusted in the range of 0.15 - 0.45MPa
- 5. Factory set outlet pressure: 0.3MPa
- 6. Pipe thread conform to ISO 228 (GB/T7307)

注: DN15-DN20规格产品压力表接口螺纹为M10×1;
DN25-DN50规格产品压力表接口螺纹为M14×1.5;

DN	15	20	25	32	40	50
SIZE	1/2	3/4	1	1 1/4	1 1/2	2
H(参考)	91	91	119	138	138	157
L	78	78	94	125	125	145
B	14	14	16	26	26	32



技术规范:

- 1. 公称压力: 1.6MPa
- 2. 工作介质: 水
- 3. 工作温度: $0^{\circ}\text{C} < t \leq 90^{\circ}\text{C}$
- 4. 管螺纹符合ISO 7标准(GB/T7306.2)

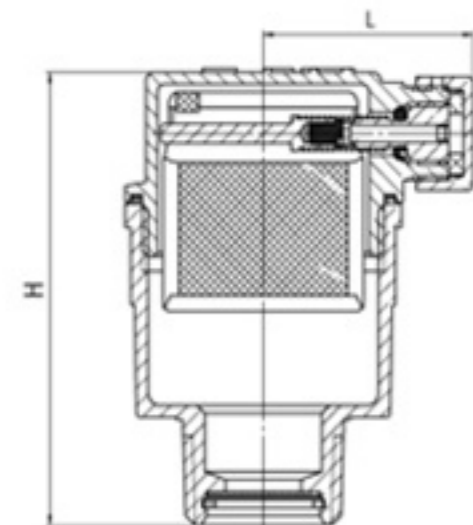
Technical specification

- 1. Nominal pressure: 1.6MPa
- 2. Working Medium: Water
- 3. Working Temperature: $0^{\circ}\text{C} < t \leq 90^{\circ}\text{C}$
- 4. Pipe thread conform to ISO 7 (GB/T7306.2)

注: 1. 安装后用合适的软管连接排气帽, 软管的另一头接到可排放气体和冷凝水的场合, 以确保排气阀正常工作
2. 排气阀必须垂直安装

DN	L	H	φD
15	57.5	99	48
20	57.5	99	48
25	57.5	99	48

B725X-16T



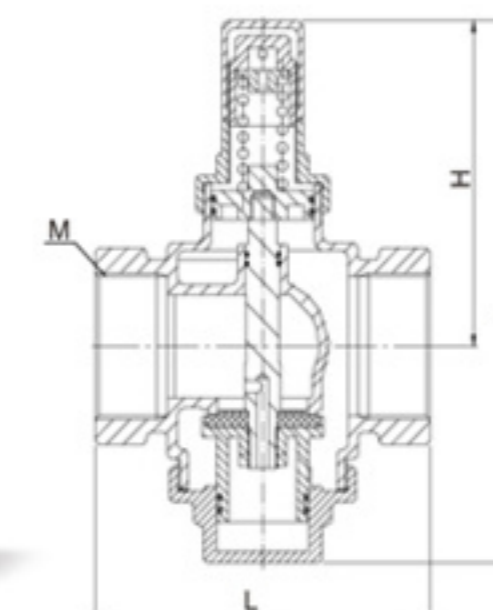
技术规范:

- 1. 公称压力: 1.6MPa
- 2. 工作介质: 水
- 3. 工作温度: $0^{\circ}\text{C} < t \leq 90^{\circ}\text{C}$
- 4. 管螺纹符合ISO 7标准(GB/T7306)

Technical specification

- 1. Nominal pressure: 1.6MPa
- 2. Working Medium: Water
- 3. Working Temperature: $0^{\circ}\text{C} < t \leq 90^{\circ}\text{C}$
- 4. Pipe thread conform to ISO 7 (GB/T7306)

DN	SIZE	H	L
15	1/2	57.8	27.7
20	3/4	59.3	27.7
25	1	60.8	27.7



技术规范:

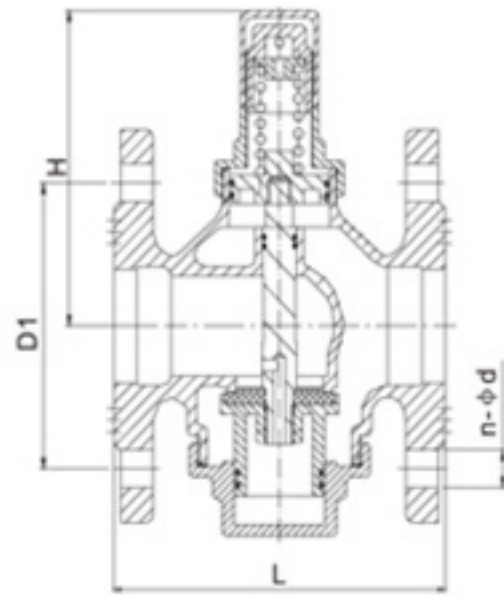
- 1. 公称压力: 1.6MPa
- 2. 工作介质: 水
- 3. 工作温度: $0^{\circ}\text{C} < t \leq 70^{\circ}\text{C}$
- 4. 进口压力为0.4-1.6MPa, 出口压力调节范围为0.2-0.6MPa

Technical specification

- 1. Nominal pressure: 1.6MPa
- 2. Working medium: Water
- 3. Working temperature: $0^{\circ}\text{C} < t \leq 70^{\circ}\text{C}$
- 4. The inlet pressure : 0.4-1.6MPa, output pressure : 0.2-0.6MPa

DN	L	H	M	A
50	141	133	G2	221
65	175	184	G2 1/2	281

730 黄铜活塞式可调减压阀 BRASS PRESSURE-REDUCING PISTON VALVE Y43X-16T



技术规范:

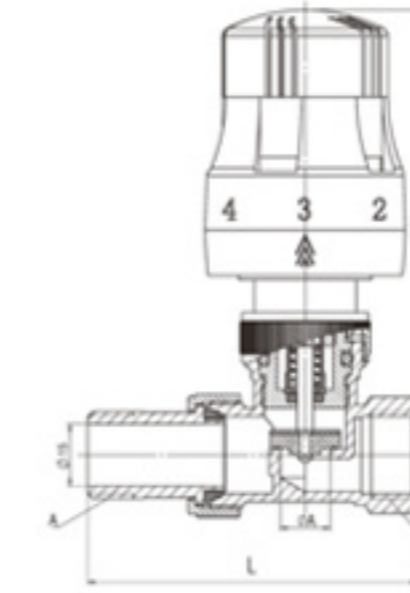
- 1. 公称压力: 1.6MPa
- 2. 工作介质: 水
- 3. 工作温度: 0°C < t ≤ 70°C
- 4. 进口压力为0.4-1.6MPa, 出口压力调节范围为0.2-0.6MPa
- 5. 法兰安装连接尺寸符合GB/T15530.1-2008

Technical specification

- 1. Nominal pressure: 1.6MPa
- 2. Working medium: Water
- 3. Working temperature: 0°C < t ≤ 70°C
- 4. The inlet pressure: 0.4-1.6MPa, output pressure: 0.2-0.6MPa
- 5. Flanged standard conform to GB/T 15530.1-2008

DN	L	H	M	A
50	144	133	125	4-φ18
65	180	183.5	145	4-φ18
80	212	195.5	160	8-φ18
100	236	213	180	8-φ18

744 散热器恒温控制阀 THERMOSTATIC RADIATOR VALVE



技术规范:

- 1. 公称压力: 1.6MPa
- 2. 工作介质: 水
- 3. 介质温度: 4°C < t ≤ 95°C
- 4. 设定温度控制范围: 6°C < t ≤ 28°C
- 5. 管螺纹符合ISO 228标准(GB/T7307)

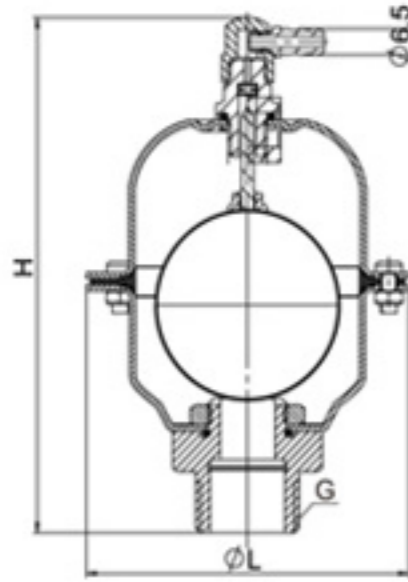
Technical specification

- 1. Nominal pressure: 1.6MPa
- 2. Working medium: Water
- 3. Medium temperature: 4°C < t ≤ 95°C
- 4. Set the temperature control range: 6°C < t ≤ 28°C
- 5. Pipe thread conform to ISO 228(GB/T7307)

DN	L	H	A	B	ΦA	ΦB
15	82.3	107	G1/2	G1/2	12.5	15
20	86.1	107	G3/4	G3/4	12.5	19.2
25	95	110	G1	G1	16	25.6

733 顶针式快速排气阀 BPOGOPIN QUICK EXHAUST VALVE

B725X-6P



技术规范:

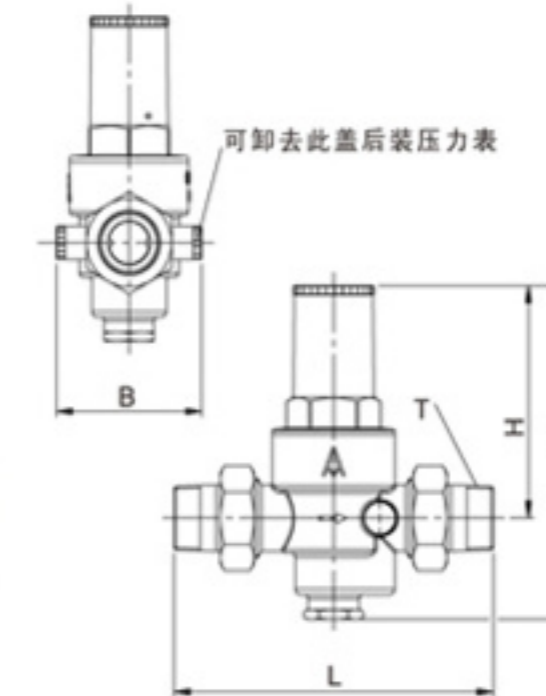
- 1. 公称压力: 0.6MPa
- 2. 工作介质: 水
- 3. 工作温度: 0°C < t ≤ 90°C
- 4. 管螺纹符合ISO 228标准(GB/T7307)

Technical specification

- 1. Nominal pressure: 0.6MPa
- 2. Working Medium: Water
- 3. Working Temperature: 0°C < t ≤ 90°C
- 4. Pipe thread conform to ISO 228(GB/T7307)

DN	SIZE	H	L
15	1/2	126.7	82
20	3/4	126.7	82
25	1	126.7	82

745 黄铜可调式减压阀 BRASS ADJUSTABLE PRESSURE REDUCING VALVE Y22X-16T



技术规范:

- 1. 公称压力: 1.6MPa
- 2. 工作介质: 水
- 3. 工作温度: 0°C < t ≤ 80°C
- 4. 最高进口压力: 1.6MPa
- 5. 进口压力为1.6MPa时出口压力可调节范围为0.1-0.6MPa
- 6. 出厂设定出口压力: 0.3MPa
- 7. 管螺纹符合ISO 7标准(GB/T7306.2)

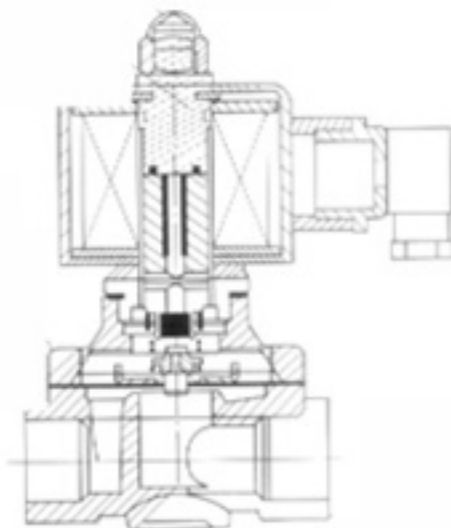
Technical specification

- 1. Nominal pressure: 1.6MPa
- 2. Working medium: Water
- 3. Working temperature: 0°C < t ≤ 80°C
- 4. High-point pressure: 1.6MPa
- 5. Control extension of output: 0.1-0.6MPa
- 6. Original output pressure: 0.3MPa
- 7. Pipe thread conform to ISO 7(GB/T7306.2)

DN	T	L	B	H	G
15	R1/2	149	65	98	143
20	R3/4	169	74	114	163
25	R1	195	82	123	177
32	R1 1/4	198	88	136	197
40	R1 1/2	209	98	150	221
50	R2	228	102	167	245

742 黄铜电磁阀 BRASS ELECTRO MAGNETIC VALVE

J011X-10T



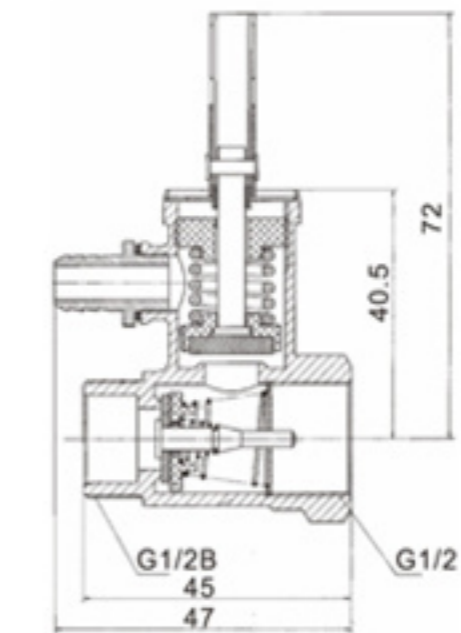
技术规范:

使用介质	空气、水、非腐蚀性液体					
动作方式	直动式					
型式	常闭式/常开式					
流量孔径mm	15	20	25	32	40	50
CV值	4.8	7.6	12	24	29	48
接管口径	1/2"	3/4"	1"	1 1/4"	1 1/2"	2"
使用液体粘度	200cSt以下					
使用压力MPa	0-1.0MPa					
工作温度	-5°C < t ≤ 80°C					
使用电压范围	AC220V 50Hz					
阀体材料	黄铜					
密封材料	NBR					

注: 1. 订货时请指明特殊工作电压(如AC24V、DC24V等)、型号、使用介质及规格, 请与厂方联系后订货
2. 管螺纹符合ISO 228标准(GB/T7307)

型号	规格	长	高	
J011X-10T	15	67	112	G1/2"
J011X-10T	20	70	118	G3/4"
J011X-10T	25	98	128	G1"
J011X-10T	32	110	161	G1 1/4"
J011X-10T	40	119	167	G1 1/2"
J011X-10T	50	155	193	G2"

746 黄铜电热水器安全阀 BRASS SAFETY VALVE FOR ELECTRIC WATER HEATER A35X-6T



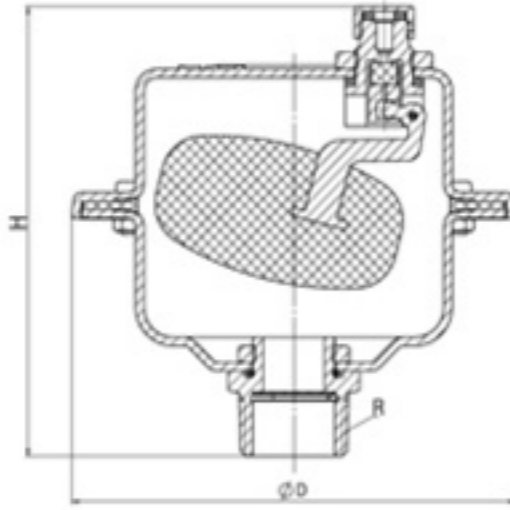
技术规范:

- 1. 安全排放压力: 0.6MPa~0.7MPa
- 2. 工作介质: 水
- 3. 工作温度: 0°C < t ≤ 100°C
- 4. 管螺纹符合ISO 228标准(GB/T7307)

Technical specification

- 1. Nominal pressure: 0.6MPa~0.7MPa
- 2. Working Medium: Water
- 3. Working Temperature: 0°C < t ≤ 100°C
- 4. Pipe thread conform to ISO 228(GB/T7307)

748A 杠杆式快速排气阀 THIMBLE EXHAUST VALVE



技术规范:

- 1. 公称压力: 0.6MPa
- 2. 工作介质: 水
- 3. 工作温度: 0°C < t ≤ 90°C
- 4. 管螺纹符合ISO 7标准 (GB/T7306.2)

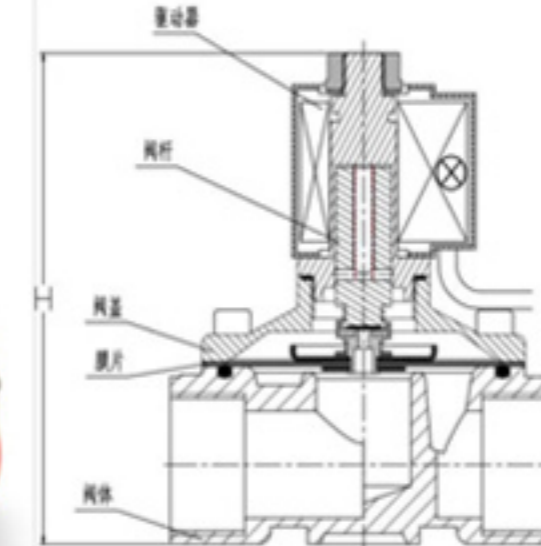
Technical specification

- 1. Nominal pressure: 0.6MPa
- 2. Working medium: Water
- 3. Working temperature: 0°C < t ≤ 90°C
- 4. Pipe thread conform to ISO 7 (GB/T7306.2)

DN	SIZE	D	H
15	1/2	108	104
20	3/4	108	106
25	1	108	108

B725X-6C

754 电磁阀 ELECTRO MAGNETIC VALVE



J011X-10T www.finio.cn

技术规范:

规格	15	20	25	30	40	50
使用介质	空气、水、油					
作用方式	直动式					
形式	常闭式常开式					
流量孔径	15	20	25	30	40	50
CV值	4.8	7.6	12	24	29	48
接管口径	1/2"	3/4"	1"	1 1/4"	1 1/2"	2"
使用流体粘度	20CST以下					
最大耐压力	1.0MPa					
工作温度	-5~80°C					
使用电压范围	电压 AC220V AC24V DC24V 其他电压和工厂接洽					
本体材质	黄铜					
密封材料	NBR 或 VITON					

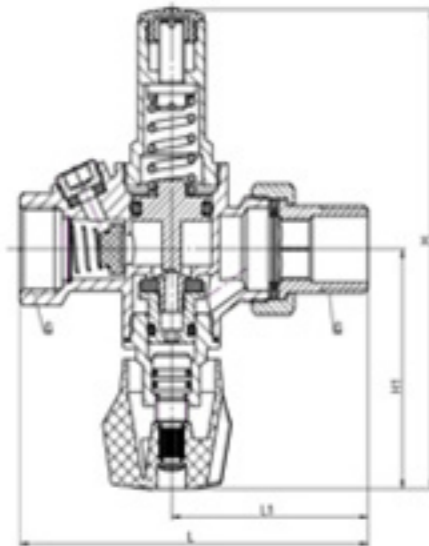
特殊电压特殊工作介质 (油、蒸汽) 请与厂方联系。

特点: 1. 长时间通电不发热。2. 更小的工作能耗, 比老款产品低 90% 以上。3. 具有 LED 指示灯。4. 更大的电磁推力, 比老款产品磁力增加接近三倍。

型号规格	长L	宽D	高H	接管螺纹法兰
(754)J011X-10T15	64	54	108	G1/2"
(754)J011X-10T20	67	54	114	G3/4"
(754)J011X-10T25	92	78	120	G1"
(754)J011X-10T32	101	78	130	G1 1/2"
(754)J011X-10T40	108	88	160	G1 3/4"
(754)J011X-10T50	134	94	175	G2"

749 自动补水阀 AUTOMATIC WATER SUPPLY VALVE

Y23X-16T



技术规范:

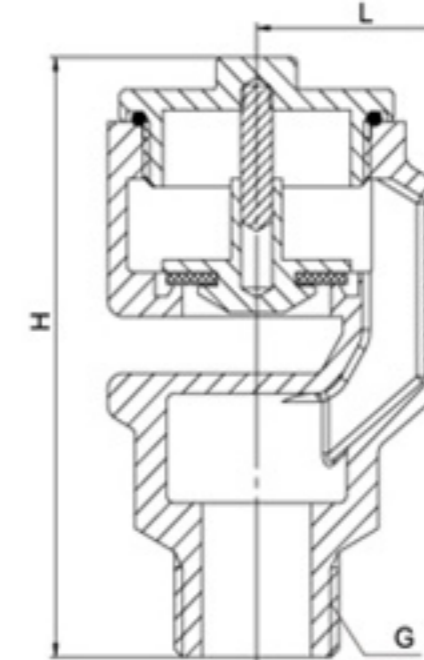
- 1. 工作压力: 1.6MPa
- 2. 工作介质: 水
- 3. 工作温度: 0°C < t ≤ 110°C
- 4. 出口压力可调节范围: 0.15~0.45MPa
- 5. 出厂设定出口压力: 0.3MPa
- 6. 管螺纹符合ISO 228标准 (GB/T7307)

Technical specification

- 1. Nominal pressure: 1.6MPa
- 2. Working medium: Water
- 3. Working temperature: 0°C < t ≤ 110°C
- 4. Export pressure off adjustment range: 0.15-0.45MPa
- 5. Factory set outlet pressure: 0.3MPa
- 6. Pipe thread conform to ISO 228 (GB/T7307)

DN	SIZE	L	L1	H	H1
15	1/2	105	60	144	70.4
20	3/4	109	61.5	144	72

756 黄铜吸气阀 BRASS AIR ADMITTANCE VALVE



AAV-16T

技术规范:

- 1. 公称压力: 1.6MPa
- 2. 工作介质: 水
- 3. 工作温度: 0°C < t ≤ 90°C
- 4. 吸气阀必须垂直安装, 不可以水平安装或倒置, 以免影响其正常使用
- 5. 管螺纹符合ISO 228标准 (GB/T7307)

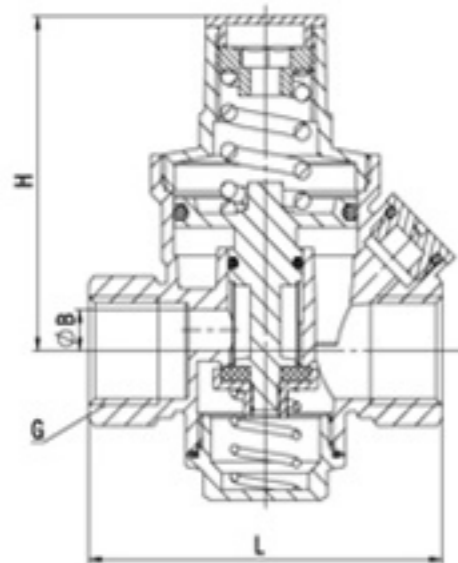
Technical specification

- 1. Nominal pressure: 1.6MPa
- 2. Working Medium: Water
- 3. Working Temperature: 0°C < t ≤ 90°C
- 4. Suction valve must be mounted vertically, not horizontally or upside down, so as not to affect the normal use
- 5. Pipe thread conform to ISO 228 (GB/T7307)

DN	SIZE	L	H
15	1/2	24	74
20	3/4	24	76.5
25	1	28.5	82
32	1 1/4	34.5	92
40	1 1/2	42	103
50	2	52	114.5

752 黄铜过滤型减压阀 BRASS PRESSURE REDUCING VALVE WITH FILTRATION

Y13X-16T



技术规范:

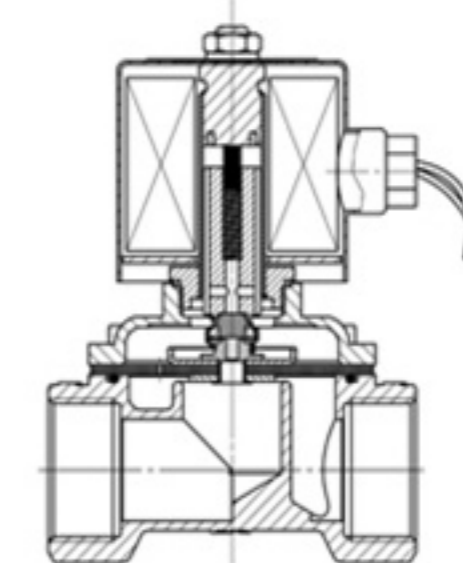
- 1. 工作压力: 1.6MPa
- 2. 工作介质: 水
- 3. 工作温度: 0°C < t ≤ 80°C
- 4. 出口压力可调节范围: 0.15~0.45MPa
- 5. 管螺纹符合ISO 228标准 (GB/T7307)

Technical specification

- 1. Nominal pressure: 1.6MPa
- 2. Working medium: Water
- 3. Working temperature: 0°C < t ≤ 80°C
- 4. Export pressure off adjustment range: 0.15-0.45MPa
- 5. Pipe thread conform to ISO 228 (GB/T7307)

DN	SIZE	L	H	B	G
15	1/2	73.6	64	10	1/2
20	3/4	73.6	64	12	3/4
25	1	80	78	15	1
32	1 1/4	86	78.5	17	1 1/4
40	1 1/2	99	108	23	1 1/2
50	2	124	118.5	28	2

758 黄铜电磁阀 BRASS ELECTRO MAGNETIC VALVE



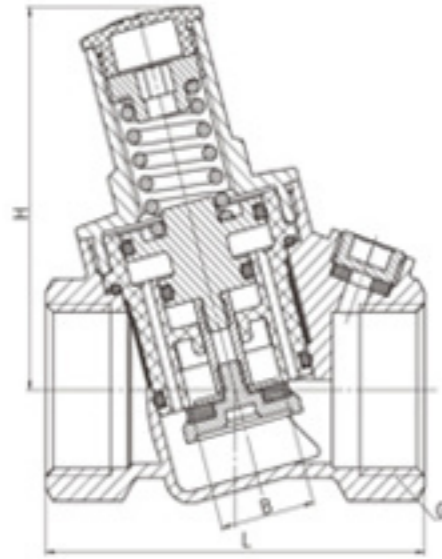
J011X-10T

技术规范:

规格	15	20	25	32	40	50
使用介质	空气、水、非腐蚀性液体					
动作方式	直动式					
形式	常闭式/常开式					
流量孔径mm	15	20	25	32	40	50
CV值	4.8	7.6	12	24	29	48
接管口径	1/2"	3/4"	1"	1 1/4"	1 1/2"	2"
使用流体粘度	20CST以下					
使用压力MPa	0~1.0MPa					
工作温度	-5°C < t ≤ 80°C					
使用电压范围	AC220V 50Hz					
阀体材料	黄铜					
密封材料	NBR					

注: 特殊工作电压 (如AC24V、DC24V等)、使用介质及规格, 请与厂方联系后订货

型号	规格	长	高	连接螺纹
J011X-10T	15	64	108	G1/2"
J011X-10T	20	67	114	G3/4"
J011X-10T	25	92	120	G1"
J011X-10T	32	101	135	G1 1/4"
J011X-10T	40	108	168	G1 1/2"
J011X-10T	50	134	168	G2"



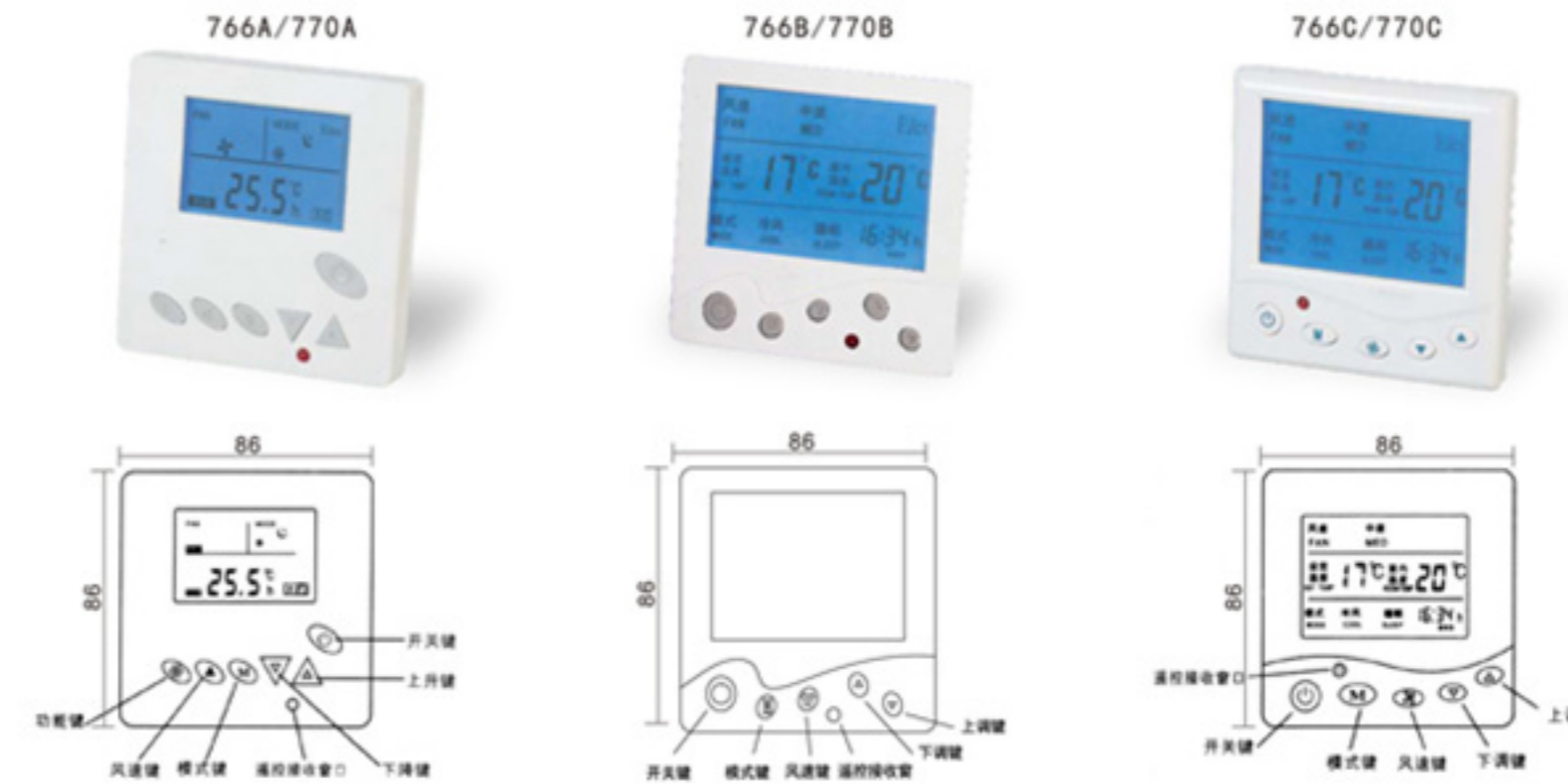
技术规范:

- 1. 工作压力: 1.6MPa
- 2. 工作介质: 水
- 3. 工作温度: 0°C<t≤80°C
- 4. 进口压力为1.6MPa, 出口压力调节范围为0.25~0.6MPa
进口压力为0.8MPa, 出口压力调节范围为0.15~0.45MPa
- 5. 出厂设定出口压力: 0.3MPa
- 6. 管螺纹符合ISO 228标准(GB/T7307)

Technical specification

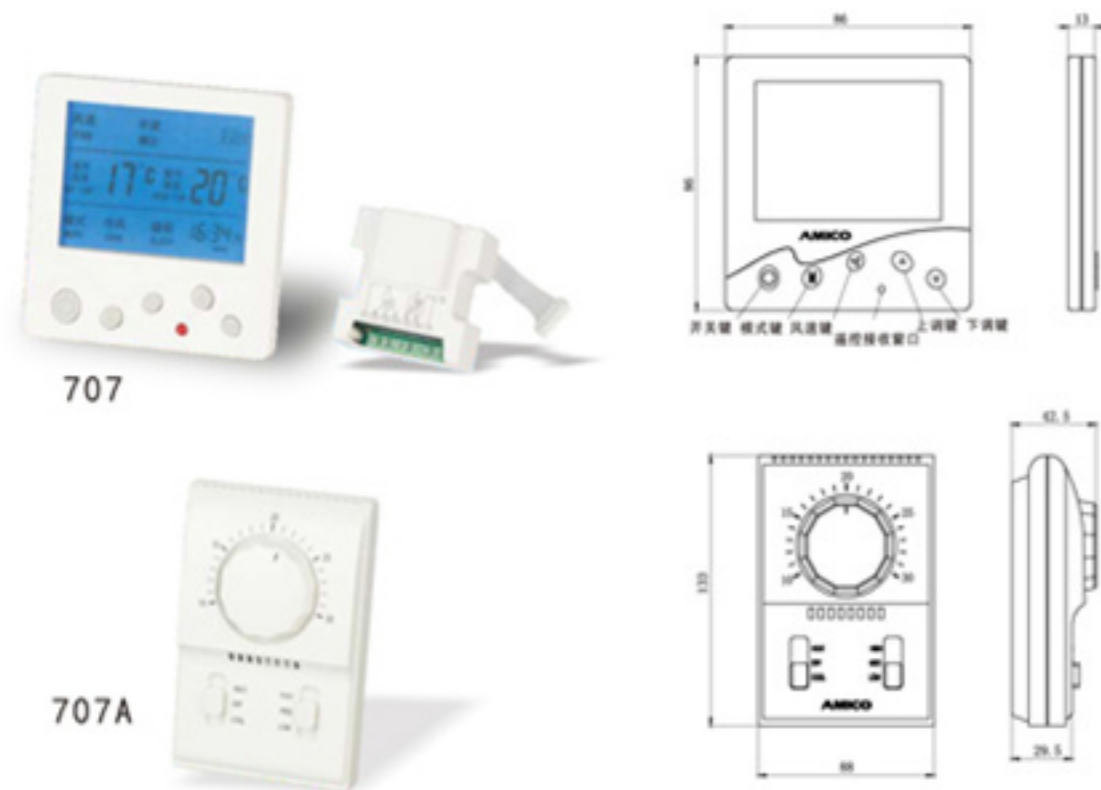
- 1. Nominal pressure: 1.6MPa
- 2. Working medium: Water
- 3. Working temperature: 0°C<t≤80°C
- 4. The inlet pressure is 1.6MPa, and the outlet pressure adjustment range is 0.25-0.6MPa
The inlet pressure is 0.8MPa, and the outlet pressure adjustment range is 0.15-0.45MPa
- 5. Factory setting outlet pressure: 0.3MPa
- 6. Pipe thread according to ISO 228 standard (GB/T7307)

DN	SIZE	L	H	B
15	1/2	69	65	17
20	3/4	72	65	17
25	1	76	74	19
32	1 1/4	102	108	30
40	1 1/2	104	108	30
50	2	118	124	38



产品概述:
本系列液晶温控器适用于风机盘管、电动阀、电动风阀、电动风口、地暖、壁挂炉、热水器及供热设备的温度控制。采用特大屏幕液晶显示, 通过温控器内部的NTC(负温度系数)温度传感器检测出室内温度, 并实时地与用户所设定温度进行比较, 自动调节采暖气的进气量和开启或关闭管道电动阀, 达到保持室内恒温的目的。

707/707A 温控器 AUTOMATIC TEMPERATURE-CONTROL SWITCH



调节范围	10°C~30°C
额定电压	AC220V ± 10%
温度偏差	在20°C时, ≤1°C

743A/B/C 温控器 AUTOMATIC TEMPERATURE-CONTROL SWITCH



额定电压: AC220V, 50/60Hz
额定电流: 10A
温度设定范围: 5~35°C
工作环境温度: 0~60°C
控温精度: ±1°C

751A 触摸屏温控器 AUTOMATIC TEMPERATURE-CONTROL SWITCH



电源电压	AC90~250V, 50/60Hz
输出功率	180W
自身功耗	≤2W
配线要求	导线(0.5mm²≤截面积≤1.5mm²)
设定温度	5°C~35°C
显示温度	0°C~60°C
控温精度	±1°C
外形尺寸	86mm×86mm×12.5mm
安装孔距	60mm

750A 温控器 AUTOMATIC TEMPERATURE-CONTROL SWITCH



感温元件	NTC
控温精度	±1°C
温度设置	5~35°C
显示范围	0~50°C
工作环境	0~45°C
湿度	5~95% RH (不结露)
按键	轻触按键
自耗功率	< 1 W
电源电压	AC90~250V, 50/60Hz
接线端子	能够连接2×1.5 mm²或1×2.5 mm²的导线
负载电流	2 A (阻性负载), 1 A (感性负载)
外壳	PC+ABS阻燃
外形尺寸	86×86×13 mm (宽×高×厚)
安装孔距	60 mm (标准)
防护等级	IP 30

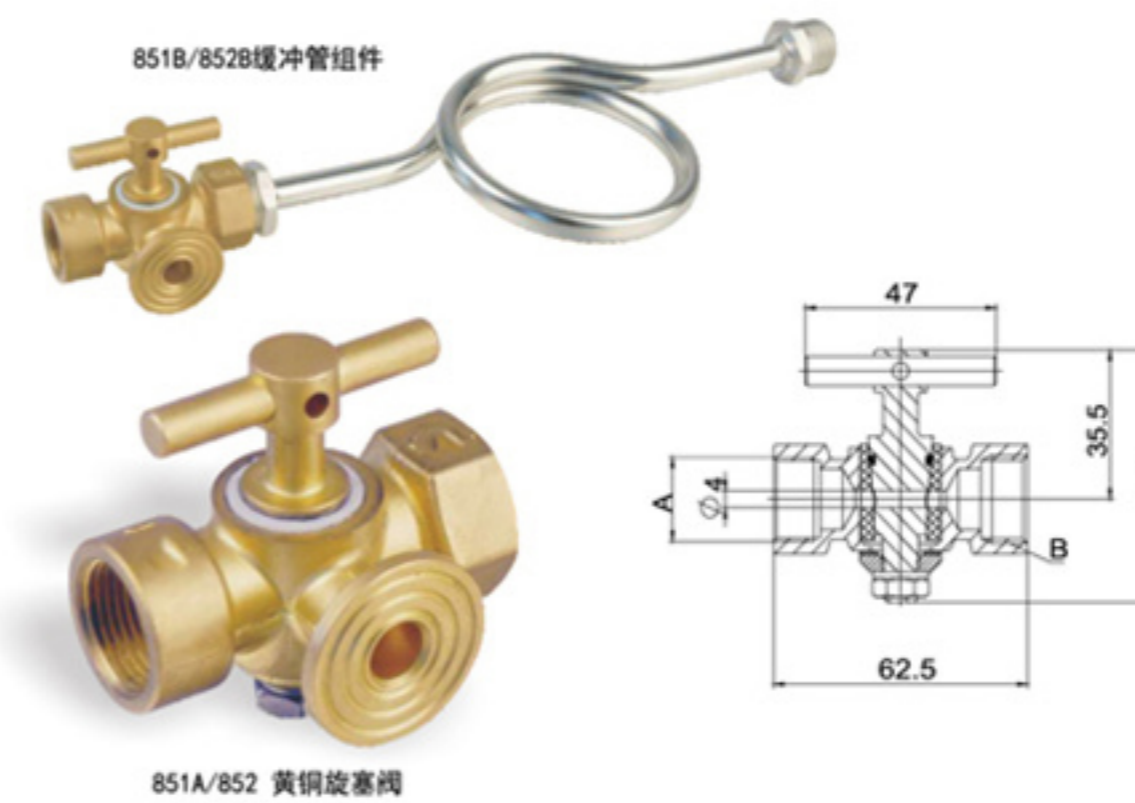
750B 温控器 AUTOMATIC TEMPERATURE-CONTROL SWITCH



电源电压	AC90~250V, 50/60Hz;
输出功率	<200W;
自身功耗	<2W;
配线要求	导线 (0.5mm ² ≤截面积≤1.5mm ²);
设定温度	5°C~35°C;
显示温度	0°C~60°C;
控温精度	±1°C
外形尺寸	90mm×90mm×16mm;
安装孔距	60mm;
接线端子	能够连接2×1.5 mm ² 或1×2.5 mm ² 的导线
负载电流	2 A (阻性负载), 1 A (感性负载)
外壳	PC+ABS阻燃
防护等级	IP 30

851A/852 黄铜旋塞阀 BRASS PLUG VALVE

X14F-16T www.finio.cn



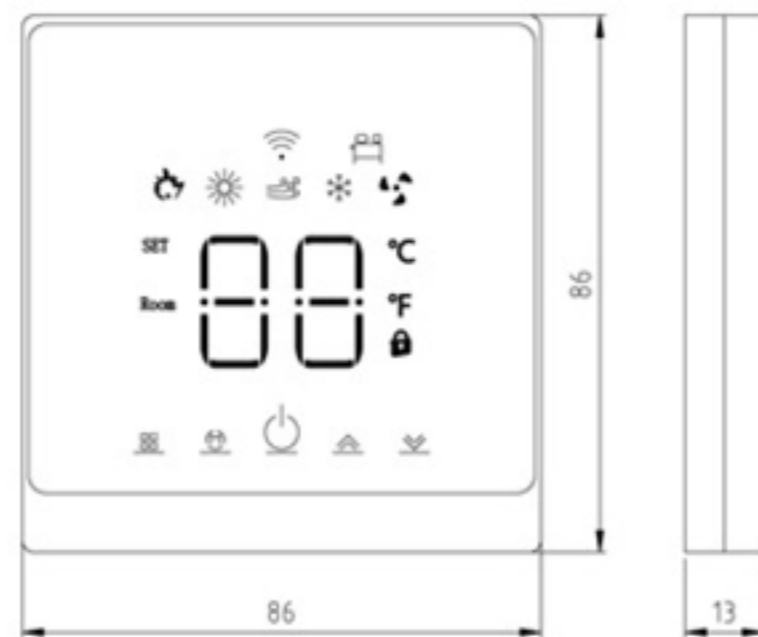
- 技术规范:
1. 公称压力: 1.6MPa
 2. 工作温度: 0°C<t≤100°C
 3. 工作介质: 水
 4. 手柄以及为固定手柄而加工的孔, 作为水流状态指示方向
 5. 黄铜旋塞阀应选择与851B / 852B缓冲管组件进行配套安装, 防止水锤对管路元件的冲击性破坏

- Technical specification
1. Nominal pressure: 1.6MPa
 2. Working temperature: 0°C<t≤100°C
 3. Working medium: Water
 4. And a hole for the handle and the fixed handle the processing, as the pointing direction of the flow state
 5. Brass plug should be selected with the 851B / 852B buffer tube assembly for supporting the installation, to prevent water hammer impact on piping components destruction

缓冲管组件材料: 304

名称	代号	螺纹	
		A端	B端
黄铜旋塞阀	851A	M20X1.5	G1/2
	852	G1/2	G1/2
缓冲管组件	851B	G1/2 (外螺纹)	G1/2 (外螺纹)
	852B	M20X1.5 (内螺纹)	G1/2 (外螺纹)

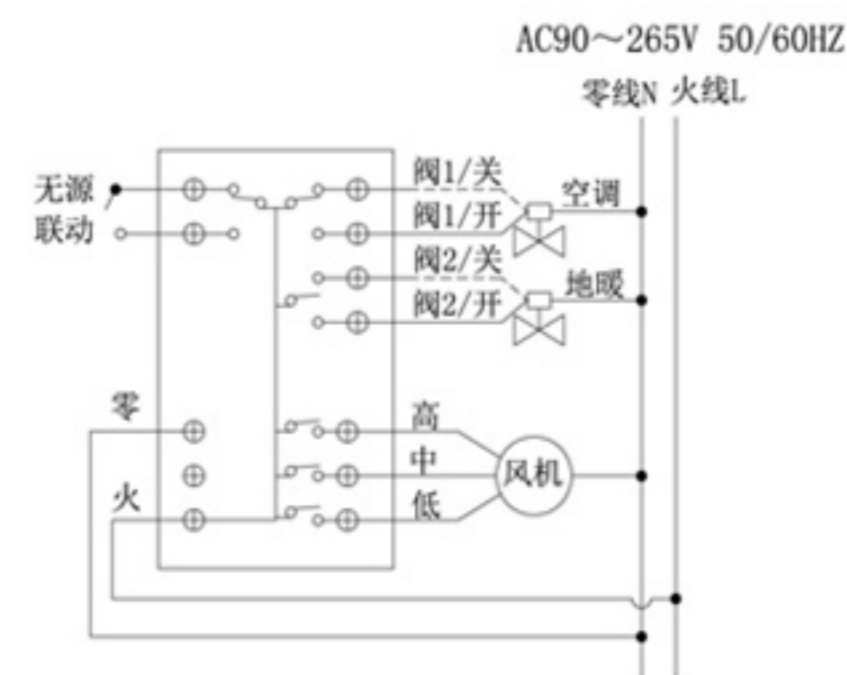
9756 触摸屏空调地暖温控器 TOUCH SCREEN AIR CONDITIONING FLOOR HEATING THERMOSTAT



外形尺寸

产品概述:
9756触摸屏空调地暖温控器适用于中央空调和地板采暖二合一的系统中, 夏季开启中央空调, 根据现场温度来控制风机盘管的启停, 使用户得到舒适的环境。在冬季既可以通过空调内机实现快速风暖制热, 也可驱动地暖系统, 享受地暖的舒适宁静。

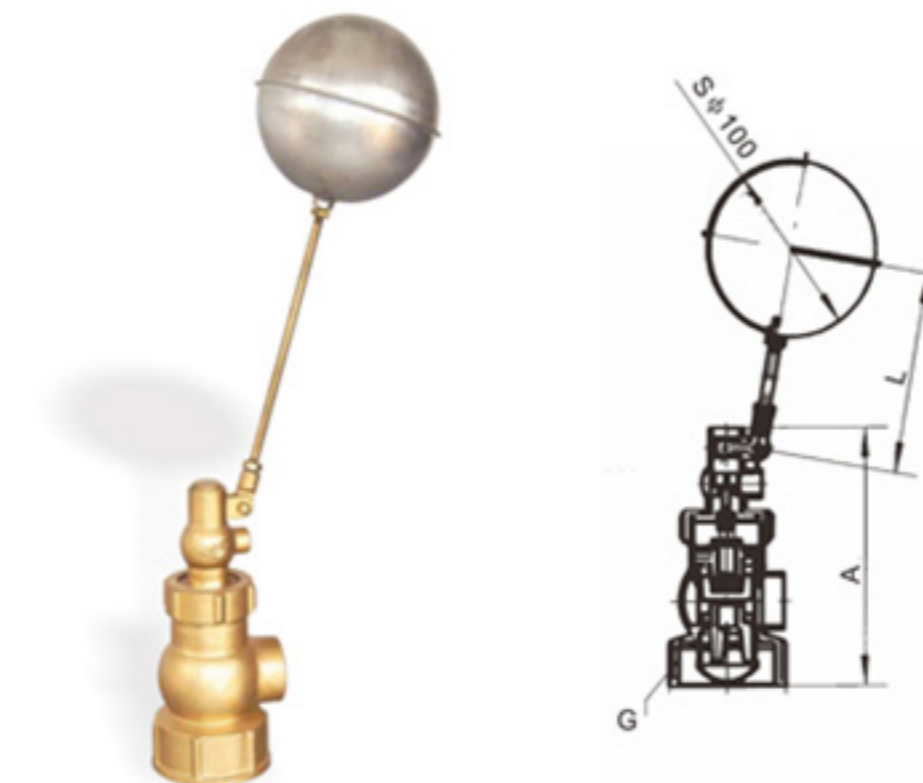
工作电压:	90/265 VAC, 50/60Hz
控制方式:	比例积分算法, 开关型输出
控制精度:	25°C时为±1°C
负载容量:	3A (风机), 1A (阀门)
防护等级:	IP20
温度设置范围:	5°C~35°C
温度显示范围:	0~60°C
运行环境温度:	0~49°C
运输环境温度:	-30°C~60°C
相对湿度:	5%~90%RH, 不结露
温度检测传感器:	NTC10K
外型尺寸:	86mm×86mm×13mm



接线图

901/903 黄铜浮球阀 BRASS FLOATING BALL ACTUATED VALVE

KXF-X1 / KXF-X3



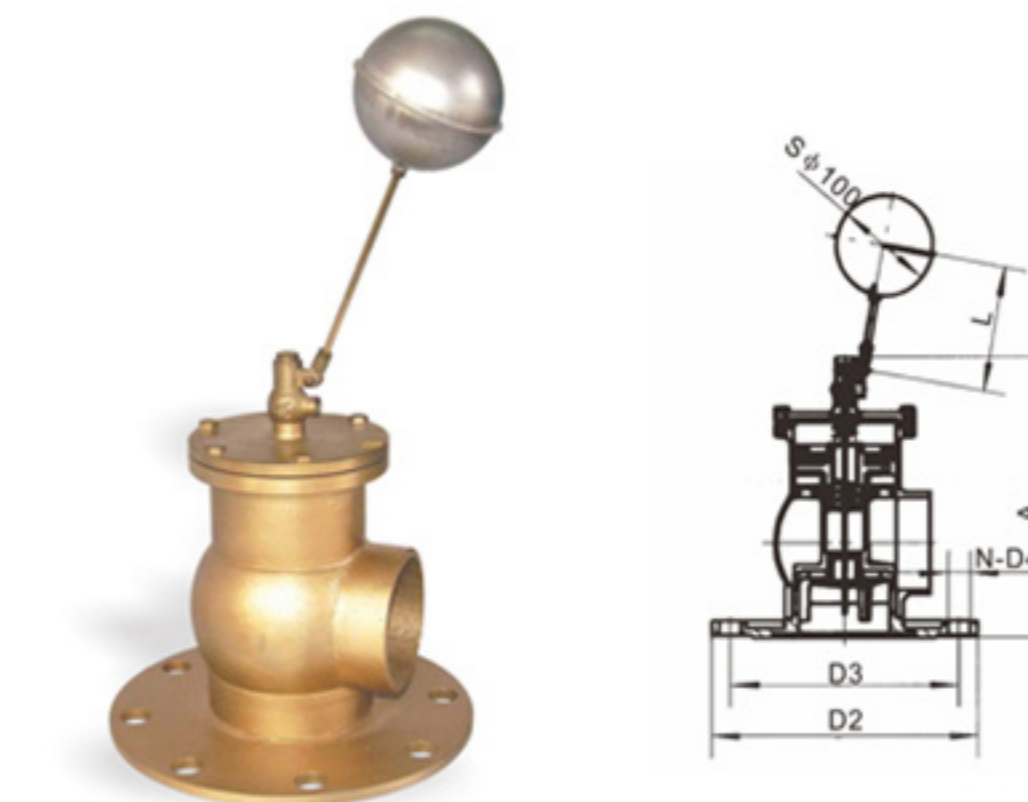
- 技术规范:
1. 公称压力: 0.6MPa
 2. 工作介质: 水
 3. 工作温度: 0°C<t≤60°C
 4. 管螺纹符合ISO 228标准 (GB/T7307)
 5. 开启压力: 0.04MPa

- Technical specification
1. Nominal pressure: 0.6MPa
 2. Working Medium: Water
 3. Working Temperature: 0°C<t≤60°C
 4. Pipe thread conform to ISO 228 (GB/T7307)
 5. Open the pressure: 0.04MPa

代号	DN	连接方式	连接尺寸	结构尺寸	
				A	L
901	15	内螺纹	G1/2	69.5	260
	20	内螺纹	G3/4	118.5	260
	25	内螺纹	G1	118.5	260
	32	内螺纹	G1 1/4	133	260
	40	内螺纹	G1 1/2	147	260
	50	内螺纹	G 2	151	260
	65	内螺纹	G2 1/2	195	260
903	80	内螺纹	G3	227.5	260
	100	内螺纹	G4	249.5	260
903	15	外螺纹	G1/2B	79.5	260

902 黄铜法兰浮球阀 BRASS FLOATING BALL ACTUATED FLANGED VALVE

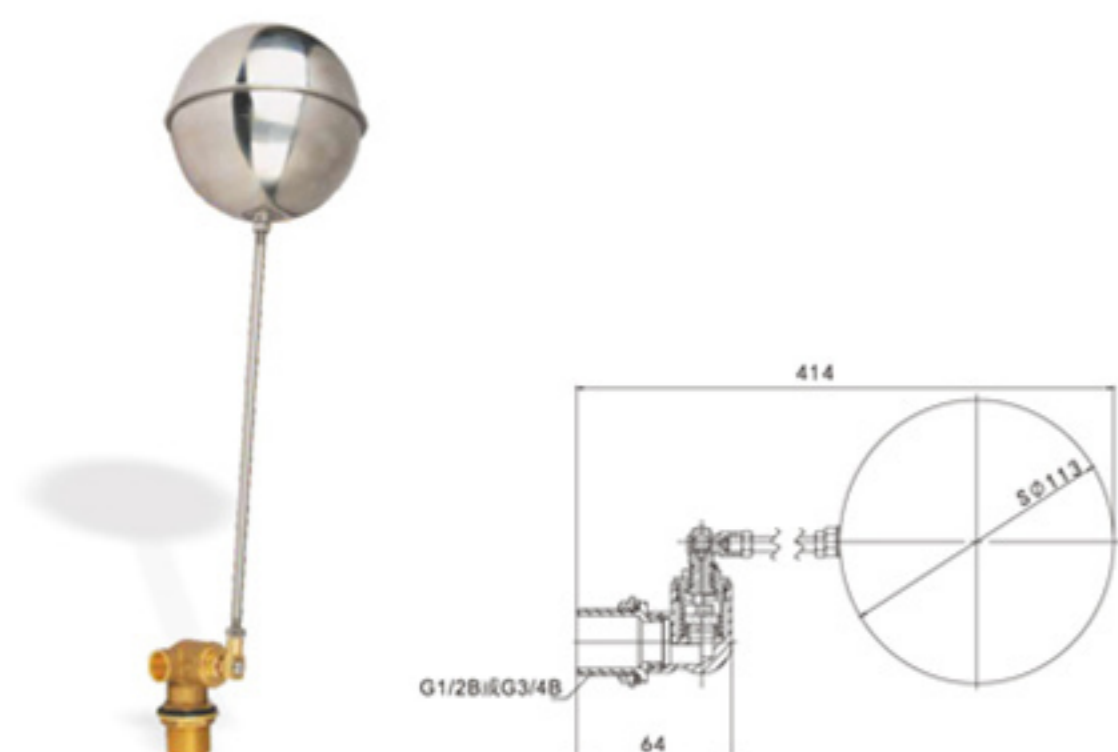
KXF-X2



- 技术规范:
1. 公称压力: 0.6MPa
 2. 工作介质: 水
 3. 工作温度: 0°C<t≤60°C
 4. 开启压力: 0.04MPa

- Technical specification
1. Nominal pressure: 0.6MPa
 2. Working Medium: Water
 3. Working Temperature: 0°C<t≤60°C
 4. Open the pressure: 0.04MPa

DN	结构尺寸					
	D2	D3	N	D4	A	L
150	280	240	8	23	284.5	260
200	335	295	8	23	342.5	260
250	390	350	12	23	457	260
300	440	400	12	23	527	260

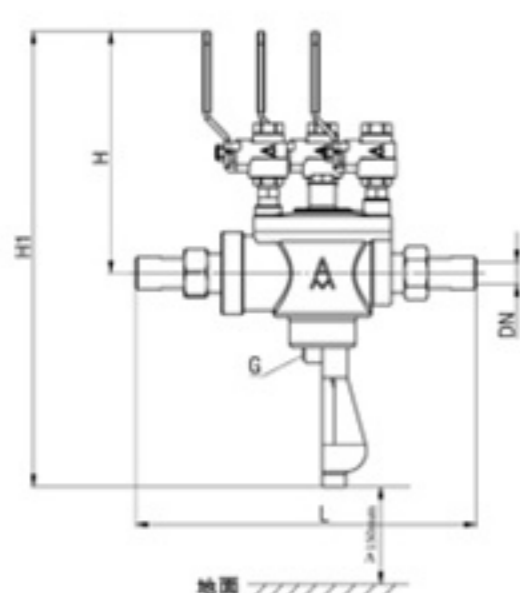


技术规范:

- 1. 公称压力: 0.6MPa
- 2. 工作介质: 水
- 3. 工作温度: $0^{\circ}\text{C} < t \leq 60^{\circ}\text{C}$

Technical specification

- 1. Nominal pressure: $\leq 0.6\text{MPa}$
- 2. Working Medium: Water
- 3. Working Temperature: $0^{\circ}\text{C} < t \leq 60^{\circ}\text{C}$



技术规范:

- 1. 公称压力: 1.6MPa
- 2. 工作介质: 水
- 3. 工作温度: $1^{\circ}\text{C} \leq t \leq 70^{\circ}\text{C}$
- 4. 管螺纹符合ISO 7标准(GB/T7306) (DN15-DN32/外螺纹) ISO 7标准(GB/T7306.1) (DN40-DN50/内螺纹)

Technical specification

- 1. Nominal pressure: 1.6MPa
- 2. Working Medium: Water
- 3. Working Temperature: $1^{\circ}\text{C} \leq t \leq 70^{\circ}\text{C}$
- 4. Pipe thread conform to ISO 7 (GB/T7306) (DN15-DN32/external thread) (GB/T7306.1) (DN40-DN50/within thread)

代号	DN	L	H	H1	宽度	G
9402	15	214.5	165	306	120	3/4
	20	227	165	306	125	3/4
	25	275	170	337	130	1
	32	261	170	337	135	1
9402A	40	275	180	384	140	1 1/4
	50	275	180	384	145	1 1/4



动态平衡阀系列

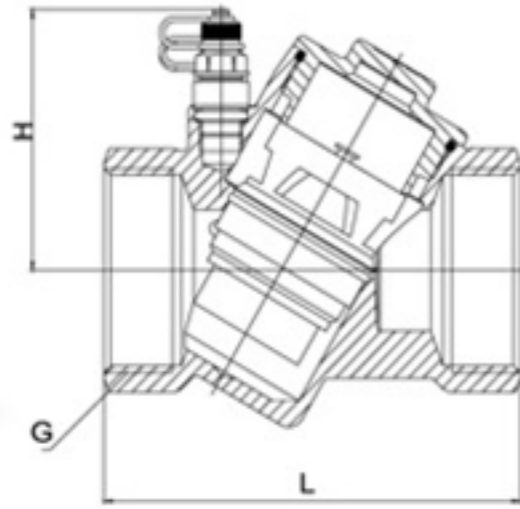
概述:

(恒流量) 动态平衡阀是一种由内部阀瓣结构来控制阀门流量的控制阀, 内部阀瓣在一定的压力差工况下, 流过阀门的流量恒定不变。动态平衡阀本身不具备关闭功能, 可以与球阀、电动阀等阀门组合使用, 达到既控制流量, 又可切断管路的功能。动态平衡阀有单阀瓣与多阀瓣两种, DN80及以下规格为单阀瓣结构, DN100及以上规格为多阀瓣结构。内部阀瓣由流量孔板、膜片、弹簧等零件组成, 因为内部膜片的区别, 阀瓣分为低压阀瓣和高压阀瓣两种。同时, 可以根据实际需要, 更换流量孔板, 以满足不同管路的流量需要。

阀瓣的流量范围如下:

规格	单个阀瓣流量范围	阀瓣正常工作压力差范围
DN15-DN25	25-2448 l/h	低压阀瓣: 10-300KPa
DN25-DN50	674-11355 l/h	高压阀瓣: 15-600KPa
DN50-DN350	3820-45000 l/h	

2510 黄铜动态流量平衡阀 BRASS DYNAMIC FLOW BALANCING VALVE PHF-15~50-L-25T



技术规范:

- 1. 公称压力: 2.5MPa
- 2. 工作介质: 水、非腐蚀性液体
- 3. 工作温度: 0°C < t ≤ 120°C
- 4. 管螺纹符合ISO 228标准(GB/T7307)
- 5. 客户应根据管路系统的流量需求, 选择对应的阀型号

Technical specification

- 1. Nominal pressure: 2.5MPa
- 2. Working Medium: Water, Non-corrosive liquids
- 3. Working Temperature: 0°C < t ≤ 120°C
- 4. Pipe thread conform to ISO 228 (GB/T7307)
- 5. Customers should be based on the flow demand of pipeline systems, select the corresponding valve guts models.

DN	15	20	25	25A	32	40	50
SIZE	1/2	3/4	1	1	1 1/4	1 1/2	2
L	77	77	83.5	123	123	123	128
H	63	63	63	77	77	77	77

2543/2544/2545 黄铜双路四通阀 BRASS DUAL FOUR-WAY VALVE



技术规范:

- 1. 公称压力: 2.0MPa
- 2. 工作介质: 水、非腐蚀性液体
- 3. 工作温度: 0°C < t ≤ 120°C
- 4. 双路四通阀可以用来切换水流方向, 或者与其他阀门组合成模块使用。

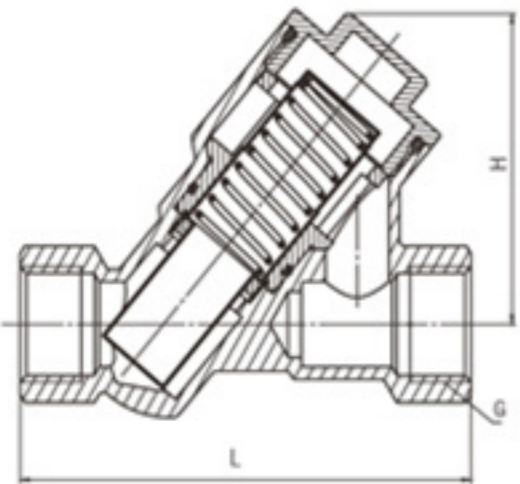
Technical specification

- 1. Nominal pressure: 2.0MPa
- 2. Working Medium: Water, Non-corrosive liquids
- 3. Working Temperature: 0°C < t ≤ 120°C
- 4. Brass dual four-way valve may be used to switch the direction of flow, or in combination with other valves into modules.

注: 2545产品, 按阀体进水方向不同, 可分为阀体左端进水、阀体右端进水两种类型

产品代号	DN	SIZE	L	H	螺纹	
					A	B
2543	15	1/2	139	80	G1/2	G3/4
	20	3/4	141	80	G3/4	G1
	25	1	148	80	G1	G1 1/4
2544	15	1/2	86	80	G1/2	G3/4
	20	3/4	86	80	G3/4	G1
2545	15	1/2	95	40	G1/2	G3/4

2511 黄铜动态流量平衡阀 BRASS DYNAMIC FLOW BALANCING VALVE ZLF-GL-15~40-16



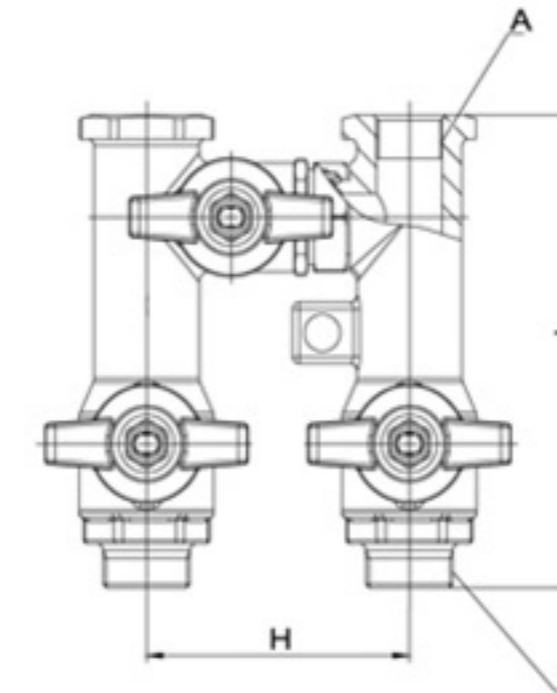
技术规范:

- 1. 公称压力: 2.5MPa
- 2. 工作介质: 水、非腐蚀性液体
- 3. 工作温度: 0°C < t ≤ 90°C
- 4. 管螺纹符合ISO 228标准(GB/T7307)
- 5. 客户应根据管路系统的流量需求, 选择对应的阀型号

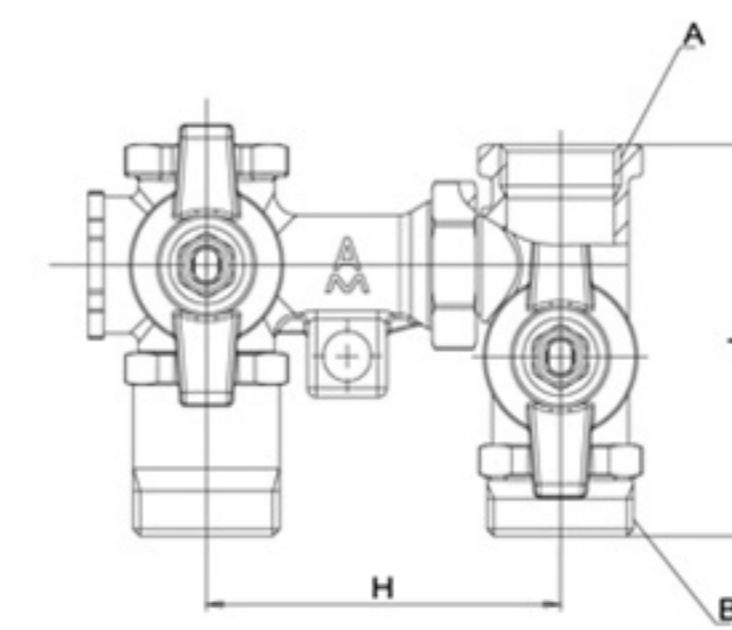
Technical specification

- 1. Nominal pressure: 2.5MPa
- 2. Working Medium: Water, Non-corrosive liquids
- 3. Working Temperature: 0°C < t ≤ 90°C
- 4. Pipe thread conform to ISO 228 (GB/T7307)
- 5. Customers should be based on the flow demand of pipeline systems, select the corresponding valve guts models.

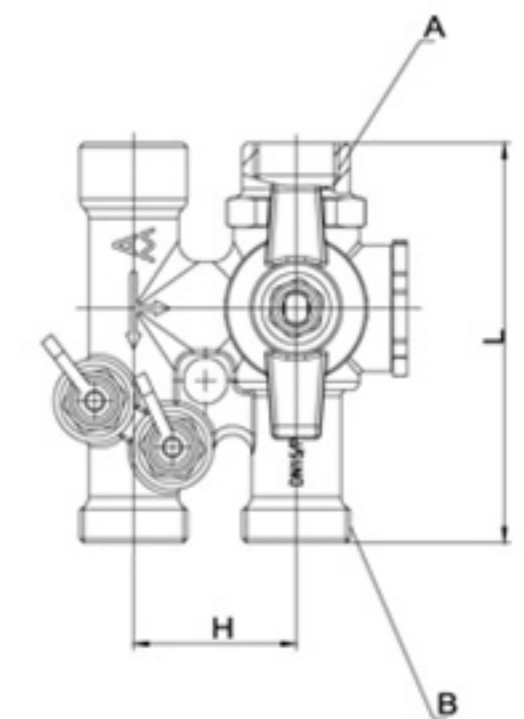
DN	L	H	G
15	85	56.5	G1/2
20	90	56.5	G3/4
25	95	56.5	G1
32	138	72.3	G1 1/4
40	140	72.3	G1 1/2



2543

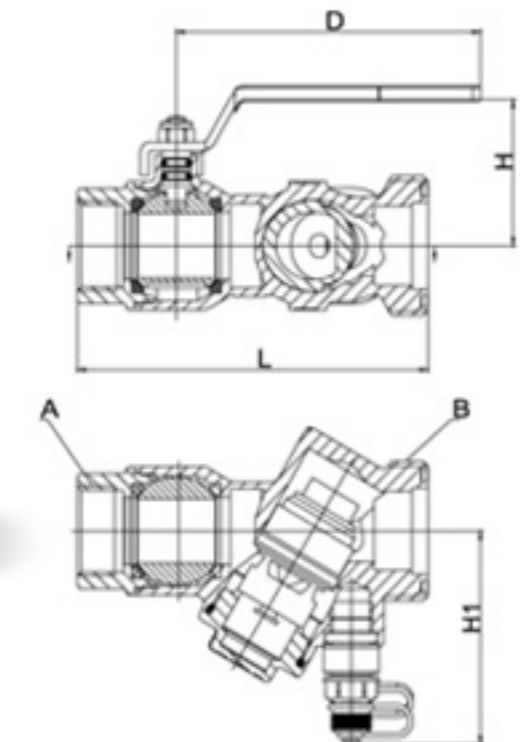


2544



2545

2520 黄铜带球阀动态平衡阀 BRASS DYNAMIC BALANCING VALVE WITH BALL VALVE PHF-15~40-L-25T



技术规范:

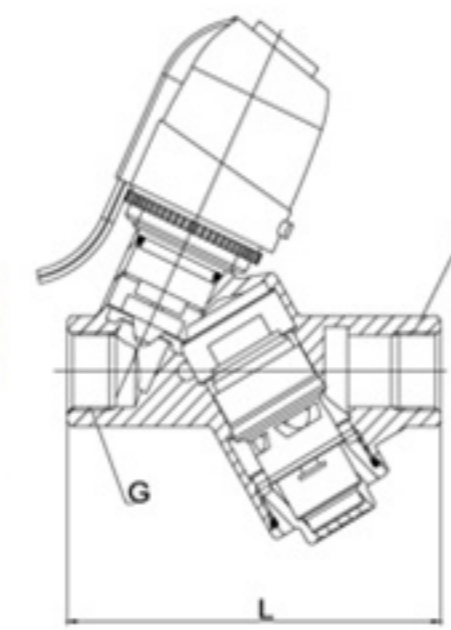
- 1. 公称压力: 2.5MPa
- 2. 工作介质: 水、非腐蚀性液体
- 3. 工作温度: 0°C < t ≤ 120°C
- 4. 客户应根据管路系统的流量需求, 选择对应的阀型号。

Technical specification

- 1. Nominal pressure: 2.5MPa
- 2. Working Medium: Water, Non-corrosive liquids
- 3. Working Temperature: 0°C < t ≤ 120°C
- 4. Customers should be based on the flow demand of pipeline systems, select the corresponding valve guts models.

DN	SIZE	L	D	H	H ₁	螺纹	
						内螺纹A	外螺纹B
15	1/2	107	93	47	63	G1/2	G1 1/4A
20	3/4	107	93	47	63	G3/4	G1 1/4A
25	1	112	93	47	63	G1	G1 1/4A
25A	1	160	131	73	78	G1	G2A
32	1 1/4	160	131	73	78	G1 1/4	G2A
40	1 1/2	162.5	131	73	78	G1 1/2	G2A

2530/2531 黄铜电动动态平衡阀 BRASS ELECTRIC DYNAMIC BALANCING VALVE DPHF-15~25-L-25T



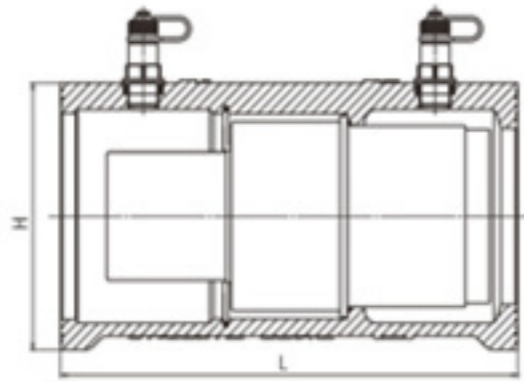
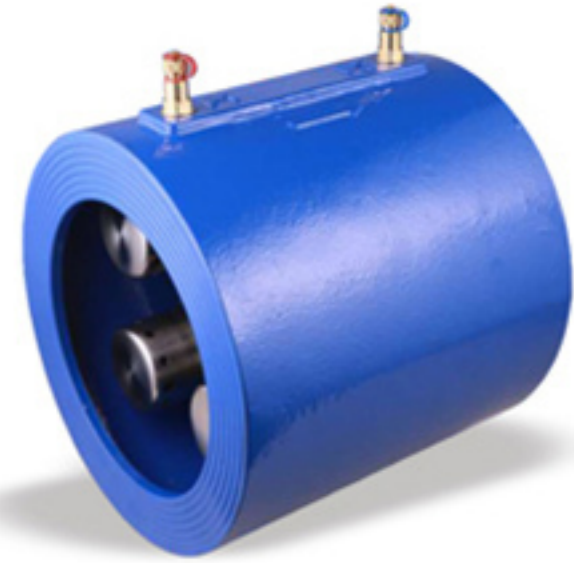
技术规范:

- 1. 公称压力: 2.5MPa
- 2. 工作介质: 水、非腐蚀性液体
- 3. 工作温度: 0°C < t ≤ 120°C
- 4. 客户应根据管路系统的流量需求, 选择对应的阀型号
- 5. 电动头组件工作电压为AC 220V, 功率为2W

Technical specification

- 1. Nominal pressure: 2.5MPa
- 2. Working Medium: Water, Non-corrosive liquids
- 3. Working Temperature: 0°C < t ≤ 120°C
- 4. Customers should be based on the flow demand of pipeline systems, select the corresponding valve guts models.
- 5. Electric head assembly operating voltage AC 220V, power 2W

产品代号	DN	SIZE	L	螺纹G	
				内螺纹	外螺纹
2530	15	1/2	101.5	G1/2	
	20	3/4	110	G3/4	
	25	1	119	G1	
2531	15	1/2	96		G1/2



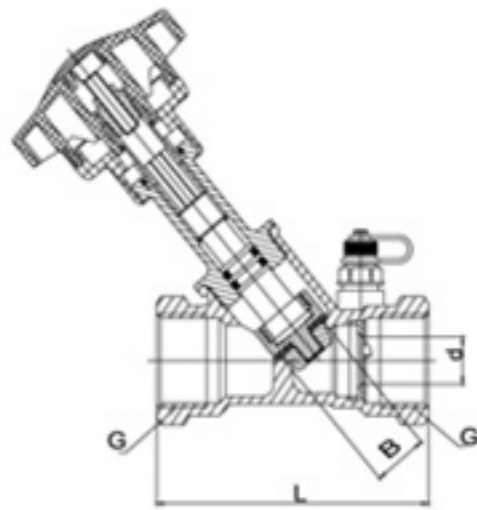
技术规范:

- 1. 公称压力: 2.5MPa
- 2. 工作介质: 水、非腐蚀性液体
- 3. 工作温度: $-20^{\circ}\text{C} \leq t \leq 110^{\circ}\text{C}$
- 4. 客户应根据管路系统的流量需求, 选择对应的阀型型号

Technical specification

- 1. Nominal pressure: 2.5MPa
- 2. Working Medium: Water, Non-corrosive liquids
- 3. Working Temperature: $0^{\circ}\text{C} < t \leq 120^{\circ}\text{C}$
- 4. Customers should be based on the flow demand of pipeline systems, select the corresponding valve guts models.

DN	L	H	DN	L	H
50	188	106	150	220	218
65	188	118	200	220	275
80	188	131	250	220	340
100	220	167	300	220	398
125	220	193	350	220	450



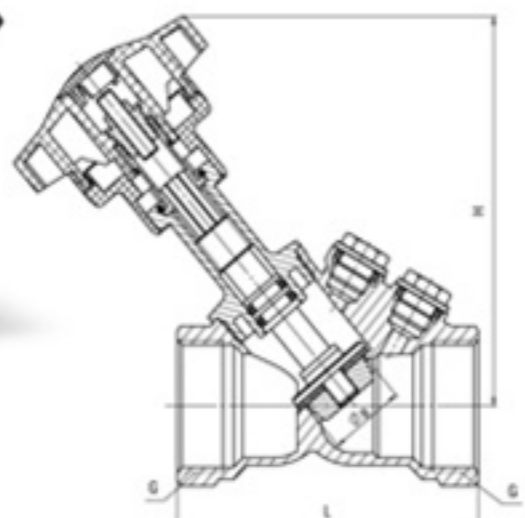
技术规范:

- 1. 公称压力: 2.5MPa
- 2. 工作介质: 自来水、非腐蚀性液体
- 3. 工作温度: $0^{\circ}\text{C} < t \leq 120^{\circ}\text{C}$

Technical specification

- 1. Nominal pressure: 2.5MPa
- 2. Working Medium: Water, Non-corrosive liquids
- 3. Working Temperature: $0^{\circ}\text{C} < t \leq 120^{\circ}\text{C}$

DN	SIZE	L	B	Kvs	Kv
15	1/2	87	12	2.21	1.97
20	3/4	96	15	4.4	3.6
25	1	100	20	8.2	5.5
32	1 1/4	114	25	16.4	8.9
40	1 1/2	124	32	24.1	14.2
50	2	145	40	44.2	23.2



技术规范:

- 1. 公称压力: 1.6MPa
- 2. 工作介质: 水、浓度小于50%乙二醇
- 3. 工作温度: $-10^{\circ}\text{C} < t \leq 120^{\circ}\text{C}$

Technical specification

- 1. Nominal pressure: 1.6MPa
- 2. Working Medium: Water, The concentration is less than 50% ethylene glycol
- 3. Working Temperature: $-10^{\circ}\text{C} < t \leq 120^{\circ}\text{C}$

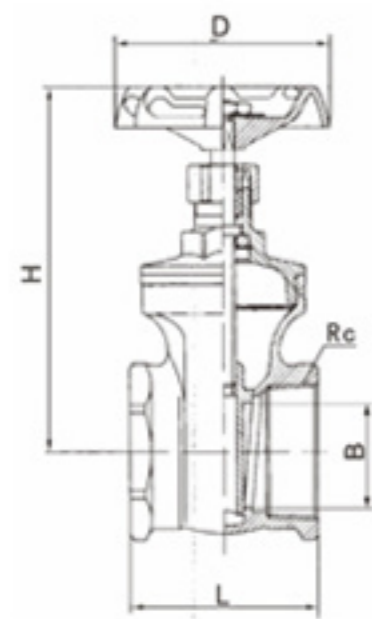
DN	SIZE	L	B	H	Kv(阀门全开)
15	1/2	70	12	102	2.8
20	3/4	76	15	106	4.4
25	1	86	20	118	7.7
32	1 1/4	99	25	124	9.4
40	1 1/2	104	32	136	13.9
50	2	125	40	144	19.4

不锈钢阀门系列



8120/8123 不锈钢闸阀 STAINLESS STEEL GATE VALVE

Z15W-16R/Z15W-16P



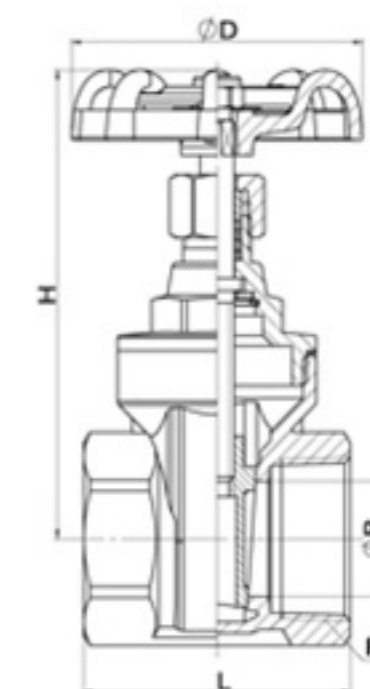
- 技术规范:**
- 1. 公称压力: 1.6MPa
 - 2. 工作介质: 水、饱和蒸汽、轻微腐蚀性液体、直饮水
 - 3. 工作温度: $-20^{\circ}\text{C} \leq t \leq 180^{\circ}\text{C}$
 - 4. 圆锥管螺纹符合ISO 7标准(GB/T7306.2)
- Technical specification**
- 1. Nominal pressure: 1.6MPa
 - 2. Working Medium: Water, Saturated steam, Slight corrosive gas and liquid, Drinkable water.
 - 3. Working Temperature: $-20^{\circ}\text{C} \leq t \leq 180^{\circ}\text{C}$
 - 4. Taper thread conform to ISO 7 Ro thread(GB/T7306.2)

注: 阀体材料: 8120采用CF8M材料/8123采用CF8材料
Note: Body Material: 8120 using CF8M / 8123 using CF8

SIZE	DN15	DN20	DN25	DN32	DN40	DN50
D	70	70	80	80	100	100
H	94	102	114	124	152.5	169.5
L	56.5	60	68	75.5	80	90.5
B	15	20	25	32	40	50

8135 不锈钢闸阀 STAINLESS STEEL GATE VALVE

Z15W-16P www.finio.cn

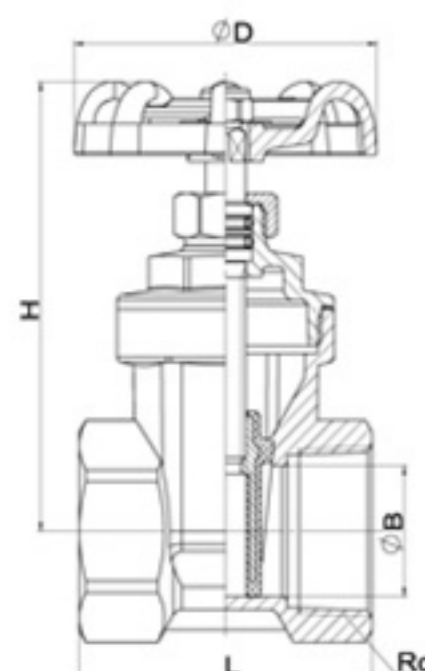


- 技术规范:**
- 1. 公称压力: 1.6MPa
 - 2. 工作介质: 水、轻微腐蚀性液体、饱和蒸汽、直饮水
 - 3. 工作温度: $-20^{\circ}\text{C} \leq t \leq 180^{\circ}\text{C}$
 - 4. 圆锥管螺纹符合ISO 7标准(GB/T7306.2)
- Technical specification**
- 1. Nominal pressure: 1.6MPa
 - 2. Working medium: Water, slightly corrosive liquid, saturated steam, direct drinking water
 - 3. Working temperature: $-20^{\circ}\text{C} \leq t \leq 180^{\circ}\text{C}$
 - 4. Pipe thread conform to ISO 7(GB/T7306.2)

DN	SIZE	D	H	L	B
15	1/2	54	73	43	12.7
20	3/4	54	82	45	18.5
25	1	59	93	55	23
32	1 1/4	64	110	58	29
40	1 1/2	73	127	62.5	34.5
50	2	76	143	67	44.5

8129 不锈钢软密封闸阀 STAINLESS STEEL SOFT SEAL GATE VALVE

Z15X-16P

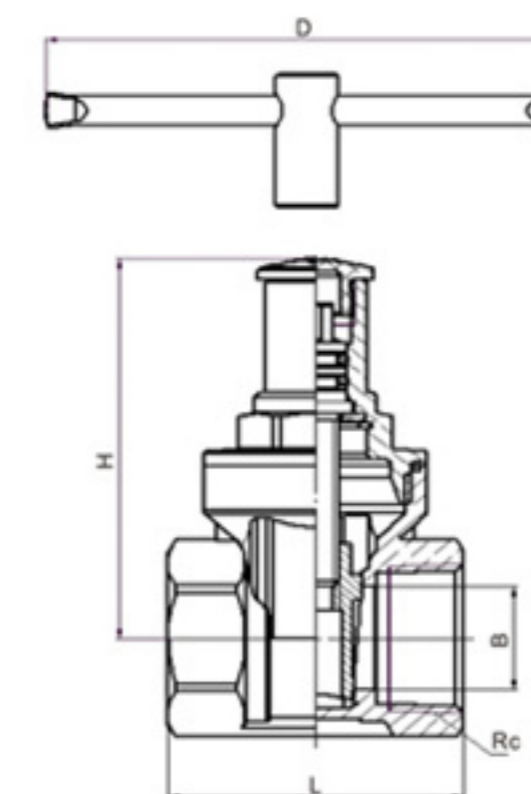


- 技术规范:**
- 1. 公称压力: 1.6MPa
 - 2. 工作介质: 水
 - 3. 工作温度: $0^{\circ}\text{C} < t \leq 90^{\circ}\text{C}$
 - 4. 管螺纹符合ISO 7标准(GB/T7306.2)
- Technical specification**
- 1. Nominal pressure: 1.6MPa
 - 2. Working medium: Water
 - 3. Working temperature: $0^{\circ}\text{C} < t \leq 90^{\circ}\text{C}$
 - 4. Pipe thread conform to ISO 7(GB/T7306.2)

DN	SIZE	D	H	L	B
15	1/2	60	71	47	15
20	3/4	60	78	51	20
25	1	60	86	59	25
32	1 1/4	72	104	70	32
40	1 1/2	72	121	73	40
50	2	80	144	85	50

8136 不锈钢带锁闸阀 STAINLESS STEEL LOCK GATE VALVE

Z15W-16P

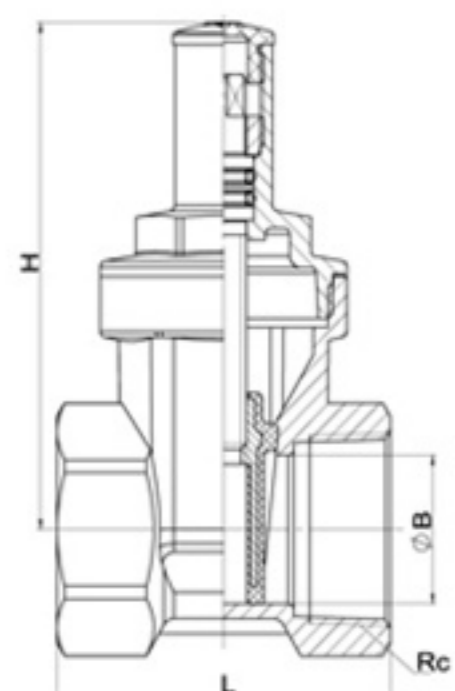
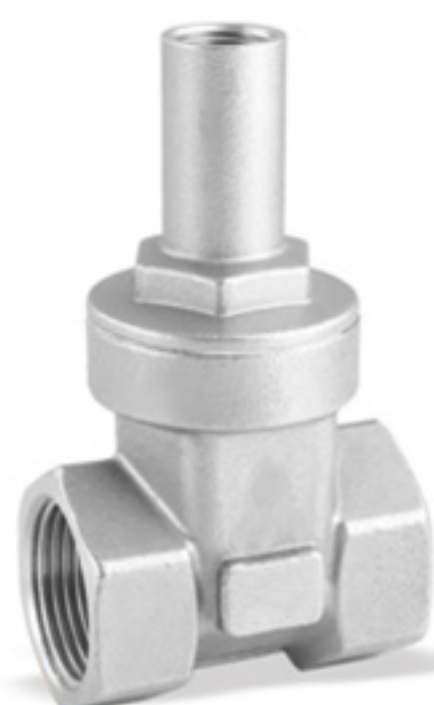


- 技术规范:**
- 1. 公称压力: 1.6MPa
 - 2. 工作介质: 水、轻微腐蚀性液体
 - 3. 工作温度: $0^{\circ}\text{C} \leq t \leq 90^{\circ}\text{C}$
 - 4. 管螺纹符合ISO 7标准中的Rc螺纹(GB/T7306.2)
- Technical specification**
- 1. Nominal pressure: 1.6MPa
 - 2. Working medium: Water, Slightly corrosive liquid
 - 3. Working temperature: $0^{\circ}\text{C} \leq t \leq 90^{\circ}\text{C}$
 - 4. Pipe thread conform to ISO 7(GB/T7306.2)

DN	SIZE	D	H	L	B
15	1/2	87	58	43	12.7
20	3/4	87	68	45	18.5
25	1	87	77	55	23

8130 不锈钢软密封带锁闸阀 STAINLESS STEEL SOFT SEAL WITH LOCK GATE VALVE

Z15X-16P

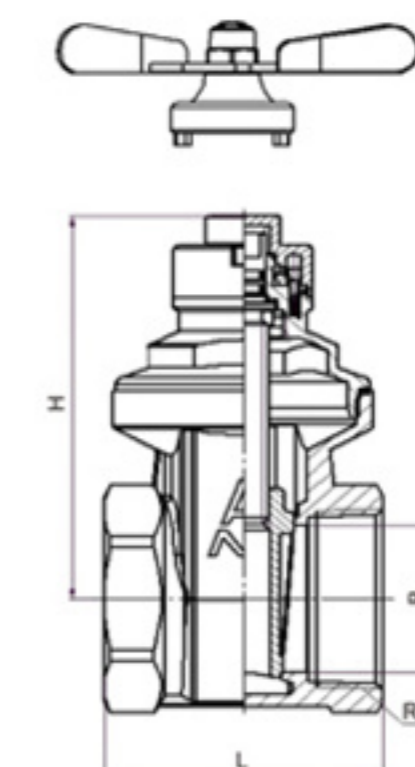


- 技术规范:**
- 1. 公称压力: 1.6MPa
 - 2. 工作介质: 水
 - 3. 工作温度: $0^{\circ}\text{C} < t \leq 90^{\circ}\text{C}$
 - 4. 管螺纹符合ISO 7标准(GB/T7306.2)
- Technical specification**
- 1. Nominal pressure: 1.6MPa
 - 2. Working medium: Water
 - 3. Working temperature: $0^{\circ}\text{C} < t \leq 90^{\circ}\text{C}$
 - 4. Pipe thread conform to ISO 7(GB/T7306.2)

DN	SIZE	H	L	B
15	1/2	70	47	15
20	3/4	77	51	20
25	1	85	59	25

8137 不锈钢磁性带锁闸阀 STAINLESS STEEL MAGNETIC LOCKING GATE VALVE

Z15W-16P

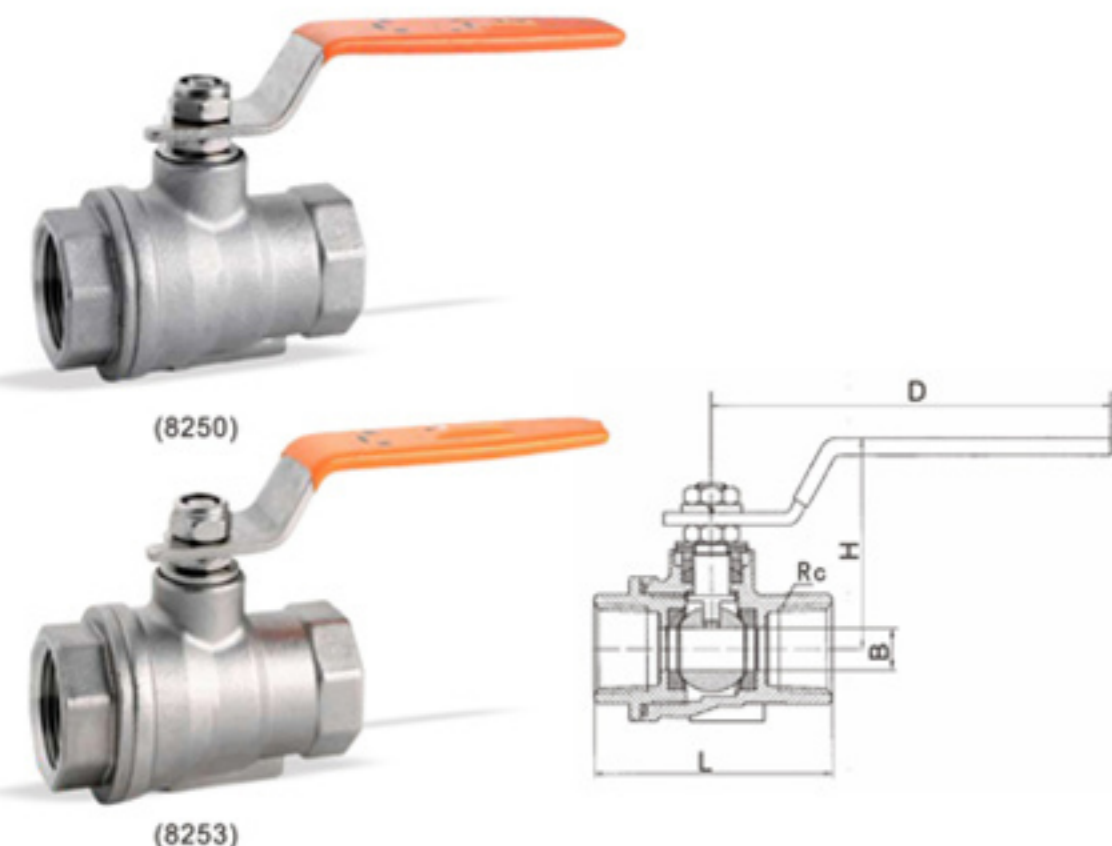


- 技术规范:**
- 1. 公称压力: 1.6MPa
 - 2. 工作介质: 水、轻微腐蚀性液体
 - 3. 工作温度: $-20^{\circ}\text{C} \leq t \leq 90^{\circ}\text{C}$
 - 4. 管螺纹符合ISO 7标准(GB/T7306.2)
- Technical specification**
- 1. Nominal pressure: 1.6MPa
 - 2. Working medium: Water, Slightly corrosive liquid
 - 3. Working temperature: $-20^{\circ}\text{C} \leq t \leq 90^{\circ}\text{C}$
 - 4. Pipe thread conform to ISO 7(GB/T7306.2)

DN	SIZE	H	L	B
15	1/2	59.5	46	15
20	3/4	64	49	20
25	1	75	57	25
32	1 1/4	85.5	58	31
40	1 1/2	102	64.5	39
50	2	123.1	70	50

8250/8253 不锈钢球阀 STAINLESS STEEL BALL VALVE

Q11F-40R/Q11F-40P



技术规范:

- 1. 公称压力: 4.0MPa
- 2. 工作介质: 水, 饱和蒸汽, 轻微腐蚀性气液体, 直饮水
- 3. 工作温度: $-20^{\circ}\text{C} \leq t \leq 150^{\circ}\text{C}$
- 4. 圆锥管螺纹符合ISO 7标准中Rc螺纹(GB/T7306.2)

Technical specification

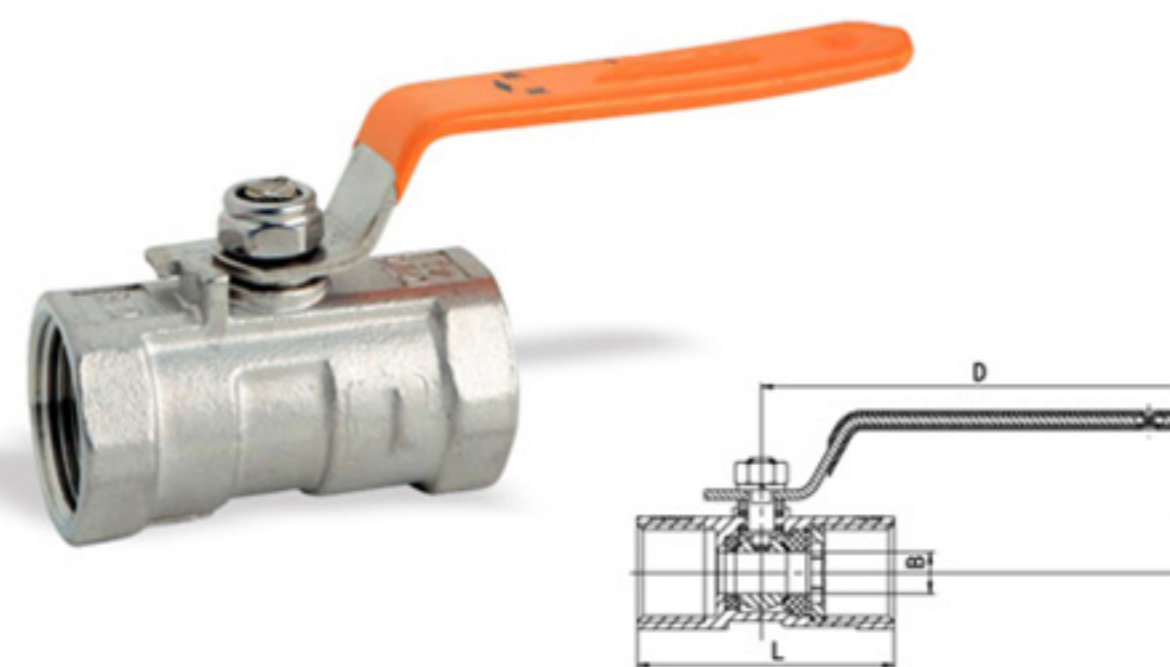
- 1. Nominal pressure: 4.0MPa
- 2. Working Medium: Water, Slightly corrosive gas liquid and Direct drinking water
- 3. Working Temperature: $-20^{\circ}\text{C} \leq t \leq 150^{\circ}\text{C}$
- 4. Taper thread conform to ISO 7 Rc thread(GB/T7306.2)

注: 阀体材料: 8250采用CF8M材料/8253采用CF8材料
Note: Body Material: 8150 using CF8M / 8153 using CF8

DN	SIZE	L	B	H	D
15	1/2	60	10	50	100
20	3/4	70	15	54	100
25	1	82	20	64	130
32	1 1/4	94	25	68	130
40	1 1/2	104	32	80	150
50	2	123	40	86	150

8255 不锈钢球阀 STAINLESS STEEL BALL VALVE

Q11F-40P www.finio.cn



技术规范:

- 1. 公称压力: 4.0MPa
- 2. 工作介质: 水, 饱和蒸汽, 轻微腐蚀性气液体, 直饮水
- 3. 工作温度: $-20^{\circ}\text{C} \leq t \leq 110^{\circ}\text{C}$
- 4. 管螺纹符合ISO 7标准(GB/T7306.2)

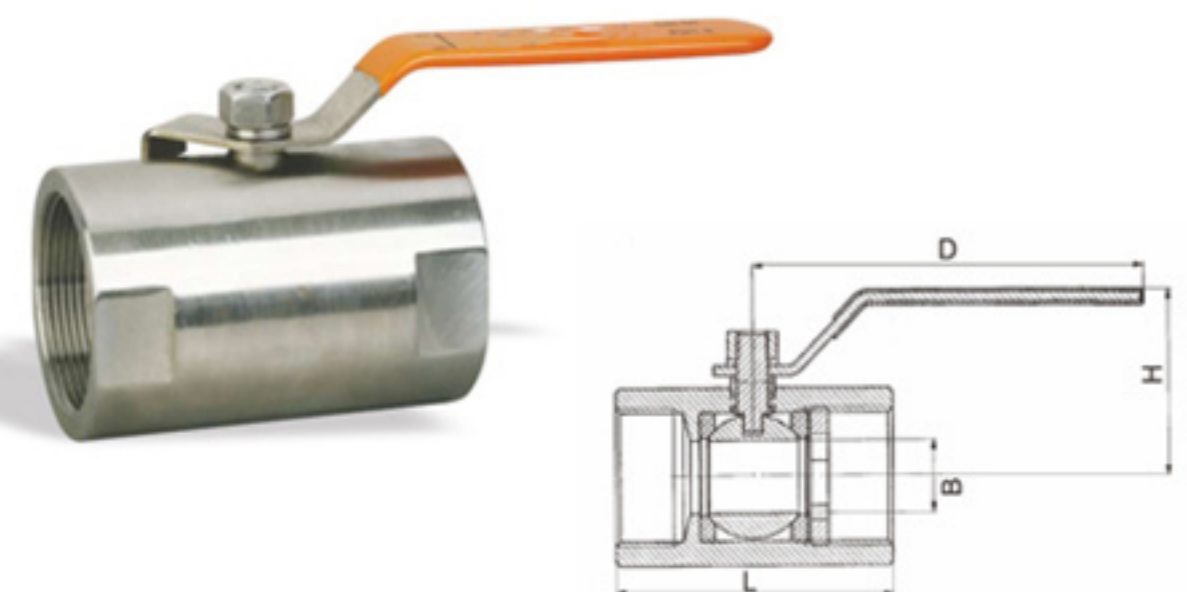
Technical specification

- 1. Nominal pressure: 4.0MPa
- 2. Working Medium: Water, Slightly corrosive gas liquid and Direct drinking water
- 3. Working Temperature: $-20^{\circ}\text{C} \leq t \leq 110^{\circ}\text{C}$
- 4. Pipe thread conform to ISO 7(GB/T7306.2)

DN	SIZE	L	B	H	D
15	1/2	57	9	35	95
20	3/4	59.5	12	38	95
25	1	72	15	48	110
32	1 1/4	79	20	53	120
40	1 1/2	84	24	57	140
50	2	100	32	65	150

8252 不锈钢球阀 STAINLESS STEEL BALL VALVE

Q11F-16P



技术规范:

- 1. 公称压力: 1.6MPa
- 2. 工作介质: 水, 轻微腐蚀性气液体
- 3. 工作温度: $-20^{\circ}\text{C} \leq t \leq 110^{\circ}\text{C}$
- 4. 管螺纹符合ISO 7标准(GB/T7306.1)

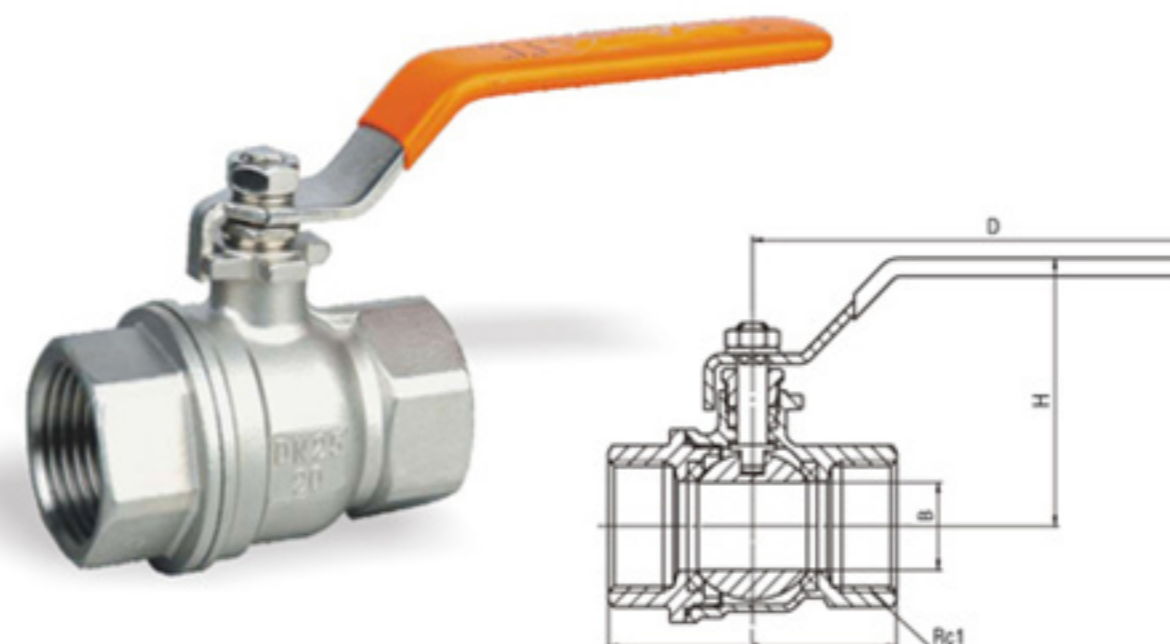
Technical specification

- 1. Nominal pressure: 1.6MPa
- 2. Working Medium: Water, Slightly corrosive gas liquid
- 3. Working Temperature: $-20^{\circ}\text{C} \leq t \leq 110^{\circ}\text{C}$
- 4. Pipe thread conform to ISO 7(GB/T7306.1)

DN	SIZE	L	B	H	D
25	1	74.5	17	43.3	96
32	1 1/4	90	22	56.7	126
40	1 1/2	97.5	26	59.3	126
50	2	112	33.5	66.5	151

8261 不锈钢球阀 STAINLESS STEEL BALL VALVE

Q11F-20P



技术规范:

- 1. 公称压力: 2.0MPa
- 2. 工作介质: 水, 轻微腐蚀性气液体
- 3. 工作温度: $-20^{\circ}\text{C} \leq t \leq 110^{\circ}\text{C}$
- 4. 管螺纹符合ISO 7标准(GB/T7306.2)

Technical specification

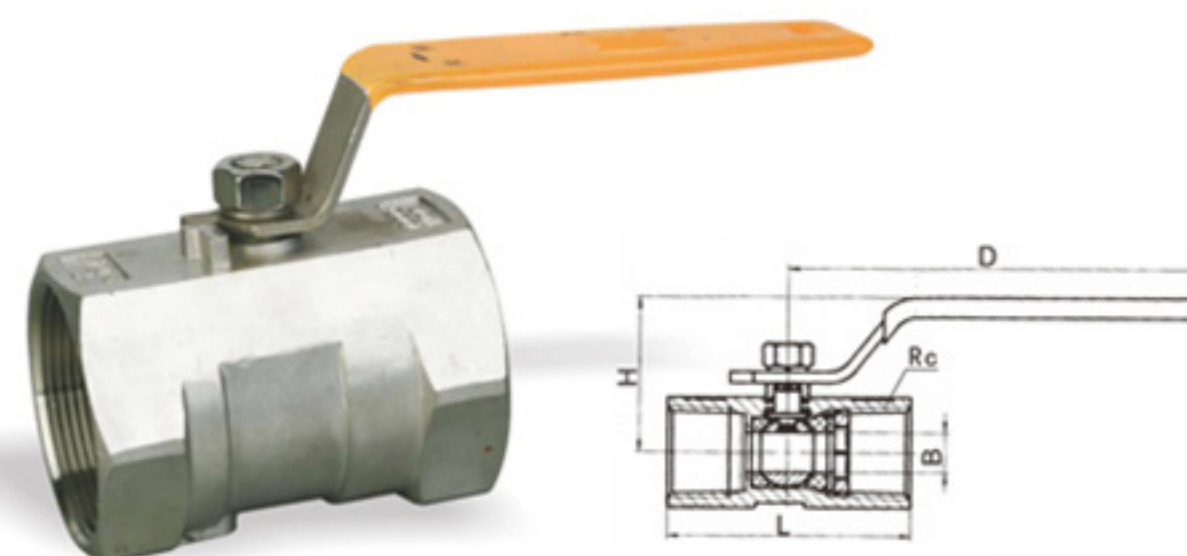
- 1. Nominal pressure: 2.0MPa
- 2. Working Medium: Water, Slightly corrosive gas liquid
- 3. Working Temperature: $-20^{\circ}\text{C} \leq t \leq 110^{\circ}\text{C}$
- 4. Pipe thread conform to ISO 7(GB/T7306.2)

材料: CF8
Material: CF8

DN	SIZE	L	B	H	D
8	1/4	52	12	46.2	91
10	3/8	52	12	46.2	91
15	1/2	56	14	52.5	92
20	3/4	61	17.5	55	107
25	1	75	22	67	118.5
32	1 1/4	83	28	71	131
40	1 1/2	89	33	77	146
50	2	111	46	92	165
65	2 1/2	130	54	107	160
80	3	160	62	137	210
100	4	166	80	140	246

8254 不锈钢球阀 STAINLESS STEEL BALL VALVE

Q11F-16P



技术规范:

- 1. 公称压力: 1.6MPa
- 2. 工作介质: 水, 轻微腐蚀性气液体, 直饮水
- 3. 工作温度: $-20^{\circ}\text{C} \leq t \leq 110^{\circ}\text{C}$
- 4. 管螺纹符合ISO 7标准(GB/T7306.2)

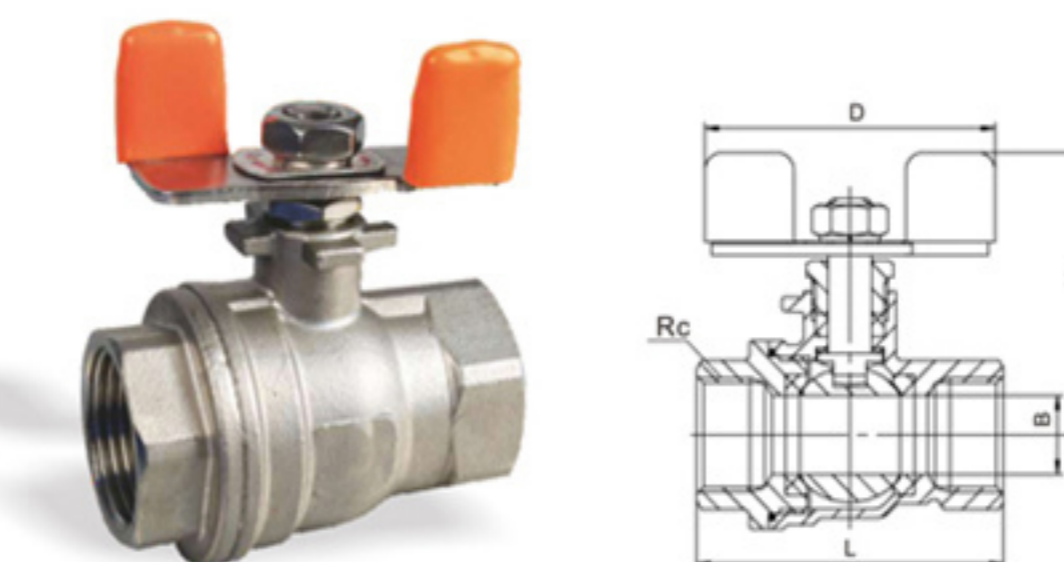
Technical specification

- 1. Nominal pressure: 1.6MPa
- 2. Working Medium: Water, Slightly corrosive gas liquid and Direct drinking water
- 3. Working Temperature: $-20^{\circ}\text{C} \leq t \leq 110^{\circ}\text{C}$
- 4. Pipe thread conform to ISO 7(GB/T7306.2)

DN	SIZE	L	B	H	D
15	1/2	57	9	35	97
20	3/4	59.5	12.4	38.5	97
25	1	72	15	53	132
32	1 1/4	79	20	52	132
40	1 1/2	84	25	55	144
50	2	100	32	61	154

8261A 不锈钢球阀 STAINLESS STEEL BALL VALVE

Q11F-20P



技术规范:

- 1. 公称压力: 2.0MPa
- 2. 工作介质: 水, 轻微腐蚀性气液体
- 3. 工作温度: $-20^{\circ}\text{C} \leq t \leq 110^{\circ}\text{C}$
- 4. 管螺纹符合ISO 7标准(GB/T7306.2)

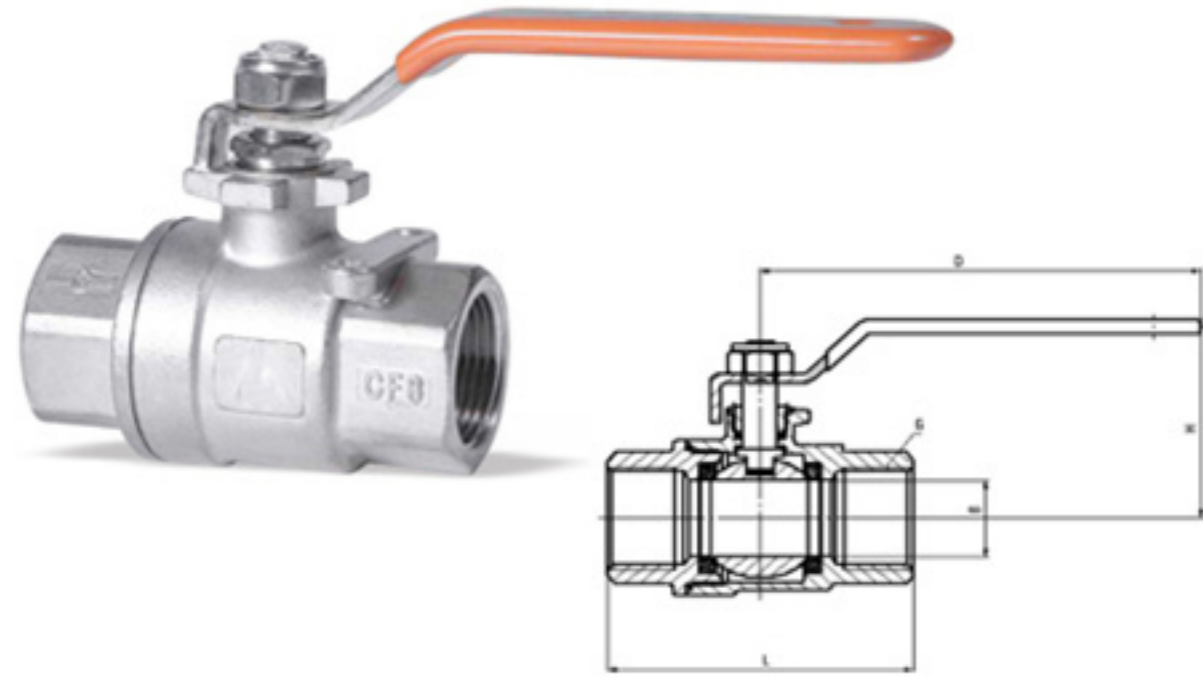
Technical specification

- 1. Nominal pressure: 2.0MPa
- 2. Working Medium: Water, Slightly corrosive gas liquid
- 3. Working Temperature: $-20^{\circ}\text{C} \leq t \leq 110^{\circ}\text{C}$
- 4. Pipe thread conform to ISO 7(GB/T7306.2)

DN	SIZE	L	B	H	D
15	1/2	56.4	14	50.2	53.4
20	3/4	61.4	17.5	52.7	53.4

8262 不锈钢球阀 STAINLESS STEEL BALL VALVE

Q11F-40P



技术规范:

- 1. 公称压力: 4.0MPa
- 2. 工作介质: 水, 轻微腐蚀性气体, 饱和蒸汽
- 3. 工作温度: $-20^{\circ}\text{C} \leq t \leq 200^{\circ}\text{C}$
- 4. 管螺纹符合ISO 228标准(GB/T7307)

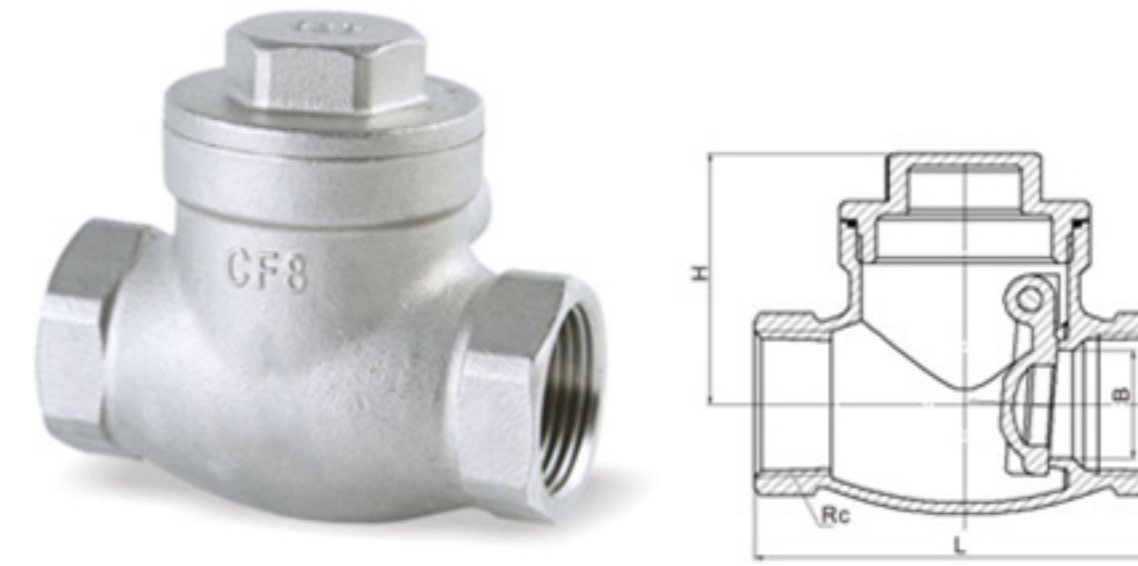
Technical specification

- 1. Nominal pressure: 4.0MPa
- 2. Working Medium: Water, Slightly corrosive gas liquid, Saturated steam
- 3. Working Temperature: $-20^{\circ}\text{C} \leq t \leq 200^{\circ}\text{C}$
- 4. Pipe thread conform to ISO 228 (GB/T7307)

DN	SIZE	L	B	H	D
15	1/2	74	15	57	102
20	3/4	80	20	59	118
25	1	90	25	65	130
32	1 1/4	110	32	72	146
40	1 1/2	120	40	80	156
50	2	140.5	49	89	176

8425 不锈钢止回阀 STAINLESS STEEL CHECK VALVE

H14W-16P www.finio.cn



技术规范:

- 1. 公称压力: 1.6MPa
- 2. 工作介质: 水, 饱和蒸汽, 轻微腐蚀性液体, 直饮水
- 3. 工作温度: $-20^{\circ}\text{C} \leq t \leq 180^{\circ}\text{C}$
- 4. 圆锥管螺纹符合ISO 7标准中的Rc螺纹(GB/T7306.2)

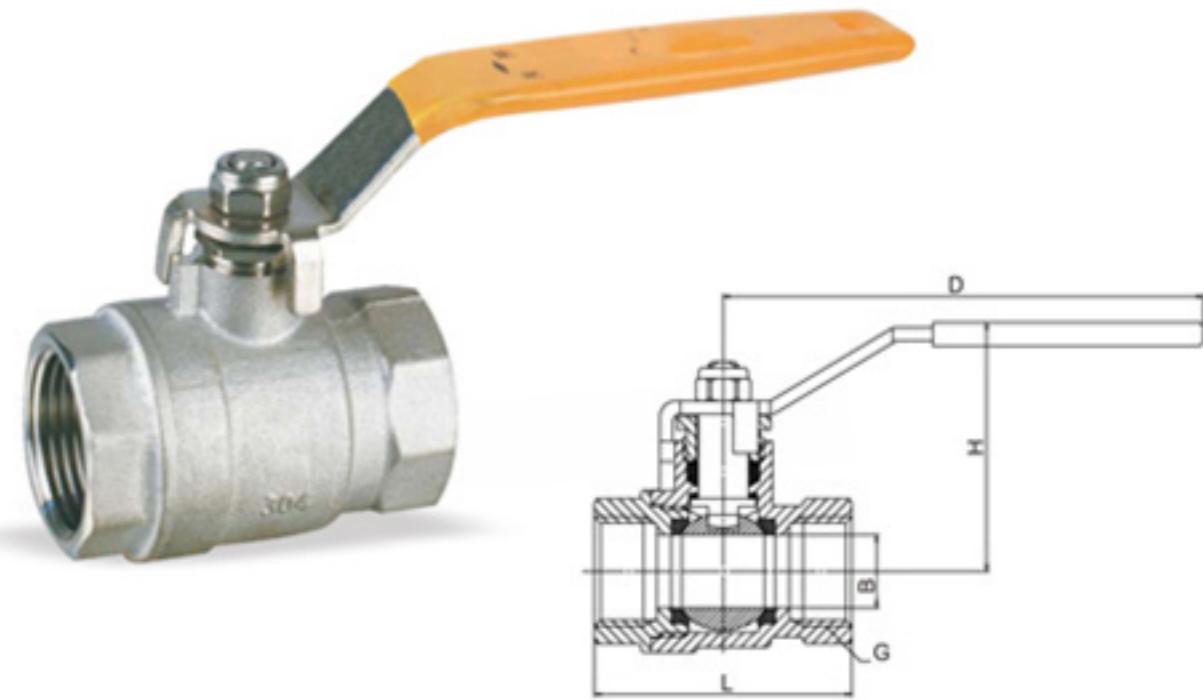
Technical specification

- 1. Nominal pressure: 1.6MPa
- 2. Working Medium: Water, Saturated steam, Slightly corrosive liquid, Direct drinking water
- 3. Working Temperature: $-20^{\circ}\text{C} \leq t \leq 180^{\circ}\text{C}$
- 4. Taper thread conform to ISO 7 Rc thread (GB/T7306.2)

DN	SIZE	L	H	B
15	1/2	63	41.7	15
20	3/4	74	46.7	20
25	1	84.5	50.1	25
32	1 1/4	100	55.3	32
40	1 1/2	115	63.5	40
50	2	135	63.5	50

8280 不锈钢球阀 STAINLESS STEEL BALL VALVE

Q11F-40P



技术规范:

- 1. 公称压力: 4.0MPa
- 2. 工作介质: 水, 饱和蒸汽, 轻微腐蚀性气体, 直饮水
- 3. 工作温度: $-20^{\circ}\text{C} \leq t \leq 180^{\circ}\text{C}$
- 4. 管螺纹符合ISO 228标准(GB/T7307)

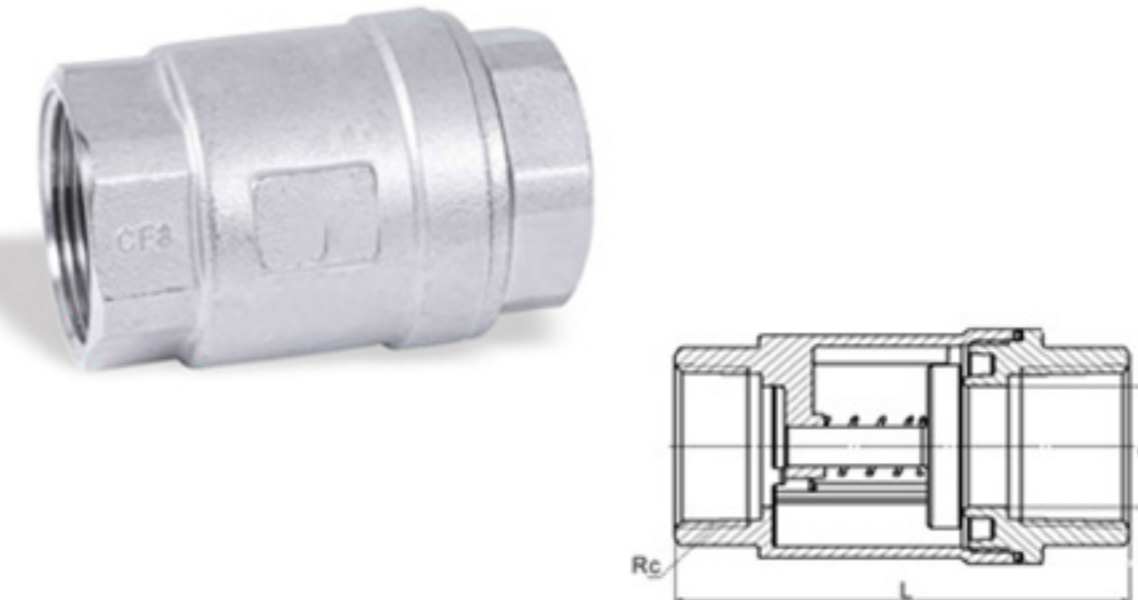
Technical specification

- 1. Nominal pressure: 4.0MPa
- 2. Working Medium: Water, Saturated steam, Slightly corrosive gas liquid, Direct drinking water
- 3. Working Temperature: $-20^{\circ}\text{C} \leq t \leq 180^{\circ}\text{C}$
- 4. Pipe thread conform to ISO 228 (GB/T7307)

DN	SIZE	L	B	H	D
15	1/2	51	14	42	95
20	3/4	60	19	52	110
25	1	69.5	24	55	110
32	1 1/4	84	31	66	140
40	1 1/2	94	39	72	140
50	2	113	50	85	160

8426 不锈钢立式止回阀 STAINLESS STEEL CHECK VALVE

H12W-16P



技术规范:

- 1. 公称压力: 1.6MPa
- 2. 工作介质: 水, 饱和蒸汽, 轻微腐蚀性液体, 直饮水
- 3. 工作温度: $-20^{\circ}\text{C} \leq t \leq 180^{\circ}\text{C}$
- 4. 圆锥管螺纹符合ISO 7标准中的Rc螺纹(GB/T7306.2)

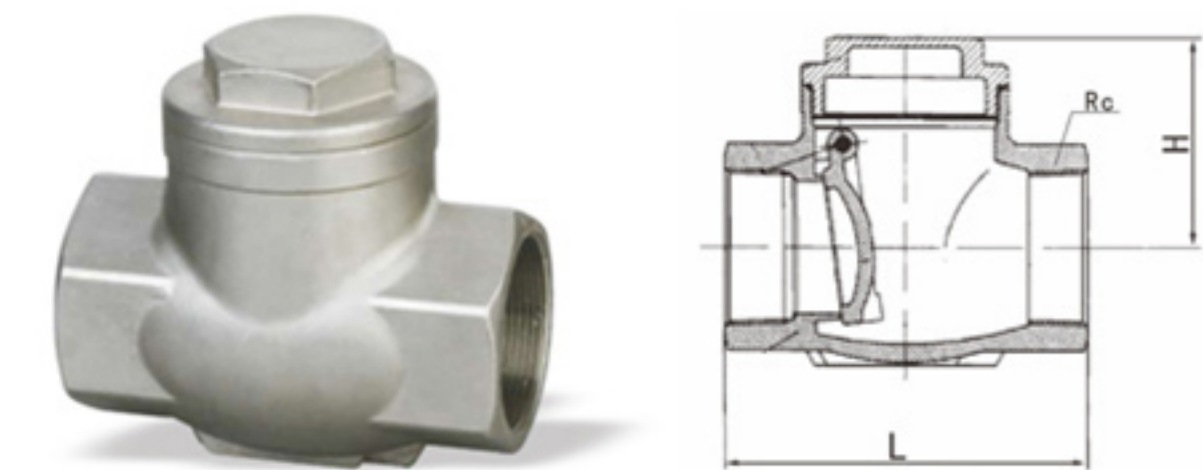
Technical specification

- 1. Nominal pressure: 1.6MPa
- 2. Working Medium: Water, Saturated steam, Slight corrosive gas and liquid, Direct drinking water
- 3. Working Temperature: $-20^{\circ}\text{C} \leq t \leq 180^{\circ}\text{C}$
- 4. Taper thread conform to ISO 7 Rc thread (GB/T7306.2)

DN	SIZE	L	B
15	1/2	58.5	14
20	3/4	67	18
25	1	79	24.5
32	1 1/4	86	31
40	1 1/2	98	36
50	2	116	48

8412/8423 不锈钢止回阀 STAINLESS STEEL CHECK VALVE

H14W-16R/H14W-16P



技术规范:

- 1. 公称压力: 1.6MPa
- 2. 工作介质: 水, 饱和蒸汽, 轻微腐蚀性液体, 直饮水
- 3. 工作温度: $-20^{\circ}\text{C} \leq t \leq 180^{\circ}\text{C}$
- 4. 圆锥管螺纹符合ISO 7标准中的Rc螺纹(GB/T7306.2)

Technical specification

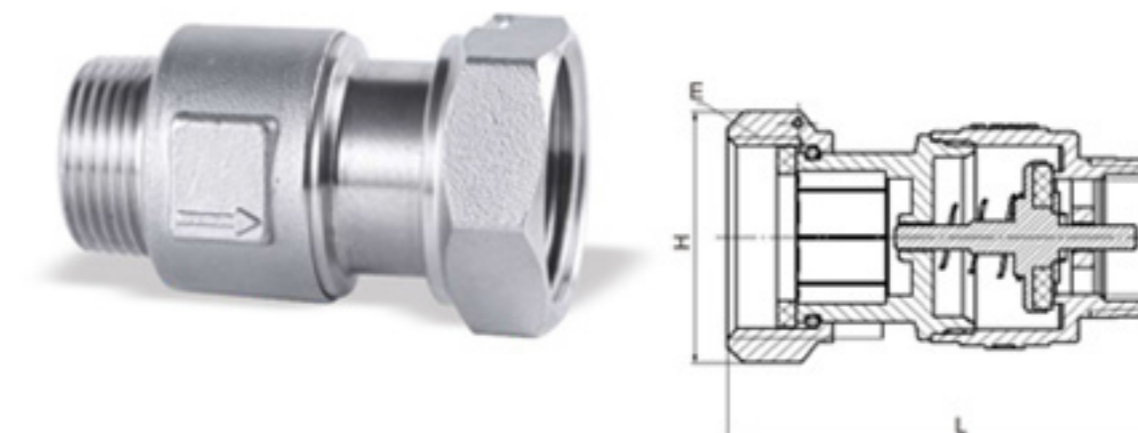
- 1. Nominal pressure: 1.6MPa
- 2. Working Medium: Water, Saturated steam, Slight corrosive gas and liquid, Direct drinking water
- 3. Working Temperature: $-20^{\circ}\text{C} \leq t \leq 180^{\circ}\text{C}$
- 4. Taper thread conform to ISO 7 Rc thread (GB/T7306.2)

注: 阀体材料: 8412采用CF8M材料/8423采用CF8材料
Note: Body Material of 8412 is CF8M / 8423 is CF8

DN	SIZE	L	H
15	1/2	66	48
20	3/4	82	53.5
25	1	96	59
32	1 1/4	107	70
40	1 1/2	121	75
50	2	141	84

8427 不锈钢水表(表前)止回阀 STAINLESS STEEL CHECK VALVE

H12X-16P/H22X-16P



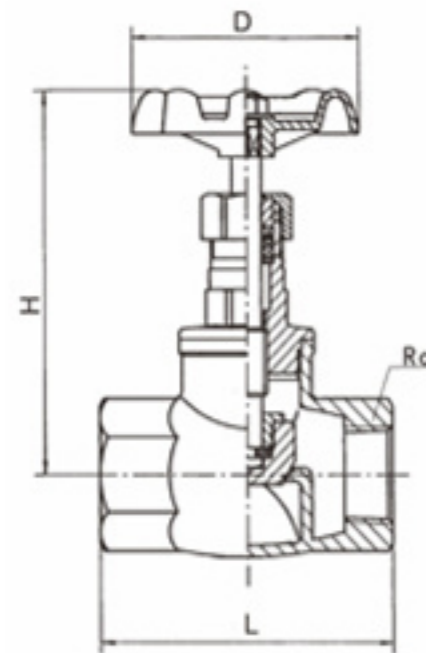
技术规范:

- 1. 公称压力: 1.6MPa
- 2. 工作介质: 水
- 3. 工作温度: $0^{\circ}\text{C} < t \leq 90^{\circ}\text{C}$
- 4. 开启压力: 0.04MPa

Technical specification

- 1. Nominal pressure: 1.6MPa
- 2. Working Medium: Water
- 3. Working Temperature: $0^{\circ}\text{C} < t \leq 90^{\circ}\text{C}$
- 4. Min-operation pressure: 0.04MPa

DN	SIZE	L	H	B	E	F
15	1/2	63.3	34.2	15	G3/4	R1/2
20	3/4	67.8	41.7	19	G1	R3/4
25	1	81.1	51	24	G1 1/4	R1



技术规范:

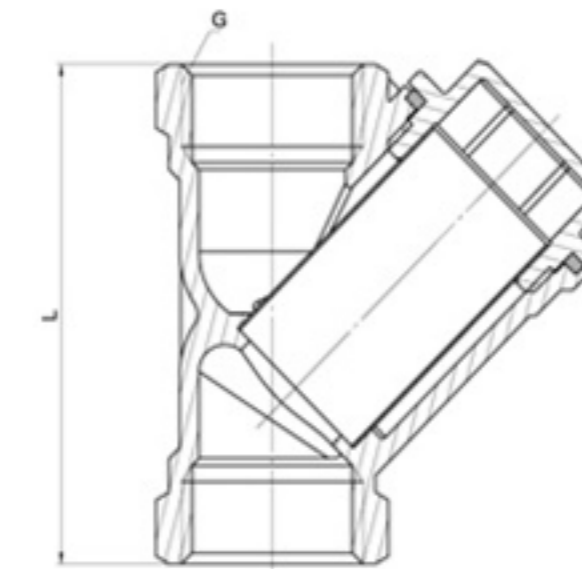
- 1. 公称压力: 1.6MPa
- 2. 工作介质: 水、饱和蒸汽、轻微腐蚀性气体, 直饮水
- 3. 工作温度: $-20^{\circ}\text{C} \leq t \leq 180^{\circ}\text{C}$
- 4. 管螺纹符合ISO 7标准(GB/T7306.2)

Technical specification

- 1. Nominal pressure: 1.6MPa
- 2. Working Medium: Water, Saturated steam, Slight corrosive and liquid, Drinkable water
- 3. Working Temperature: $-20^{\circ}\text{C} \leq t \leq 180^{\circ}\text{C}$
- 4. Pipe thread conform to ISO 7 (GB/T7306.2)

注: 阀体材料: 8330采用CF8M材料/8333采用CF8材料
Note: Body Material: 8330 using CF8M / 8333 using CF8

DN	SIZE	L	H	D
15	1/2	65	100	70
20	3/4	80	108	70
25	1	90	118	80
32	1 1/4	105	126	80
40	1 1/2	120	139	100
50	2	140	157	100



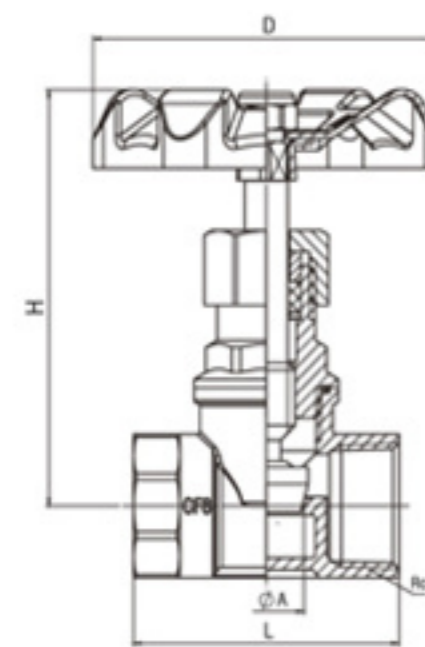
技术规范:

- 1. 公称压力: 4.0MPa
- 2. 工作介质: 水、轻微腐蚀性液体
- 3. 工作温度: $-20^{\circ}\text{C} \leq t \leq 150^{\circ}\text{C}$
- 4. 圆柱管螺纹符合ISO 228标准(GB/T7307)

Technical specification

- 1. Nominal pressure: 4.0MPa
- 2. Working Medium: Water, mildly corrosive liquid
- 3. Working Temperature: $-20^{\circ}\text{C} \leq t \leq 150^{\circ}\text{C}$
- 4. Parallel pipe thread conform to ISO 228 (GB/T7307)

DN	15	20	25	32	40	50
L	56	69	82.5	90	101	124
(目数)	18					



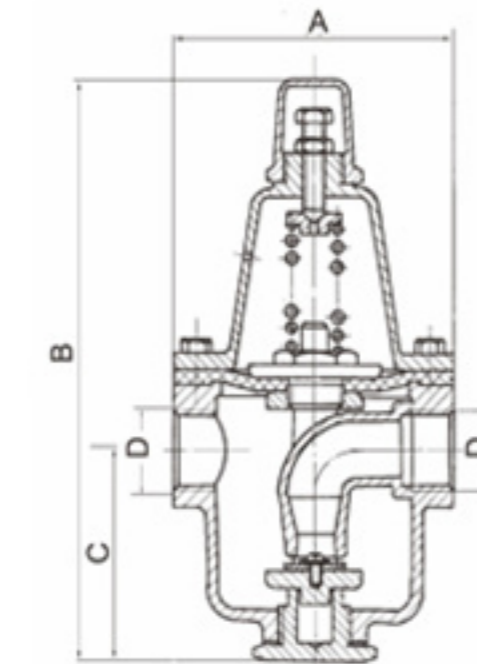
技术规范:

- 1. 公称压力: 1.6MPa
- 2. 工作介质: 水、饱和蒸汽、轻微腐蚀性气体, 直饮水
- 3. 工作温度: $-20^{\circ}\text{C} \leq t \leq 180^{\circ}\text{C}$
- 4. 管螺纹符合ISO 7标准(GB/T7306.2)

Technical specification

- 1. Nominal pressure: 1.6MPa
- 2. Working Medium: Water, Saturated steam, Slight corrosive and liquid, Drinkable water
- 3. Working Temperature: $-20^{\circ}\text{C} \leq t \leq 180^{\circ}\text{C}$
- 4. Pipe thread conform to ISO 7 (GB/T7306.2)

DN	L	H	D	ΦA	Re
15	46	70	60	13	1/2
20	52	75	60	16	3/4
25	65	85	70	22	1
32	74	95	70	27	1 1/4
40	100	121.7	105	39	2



技术规范:

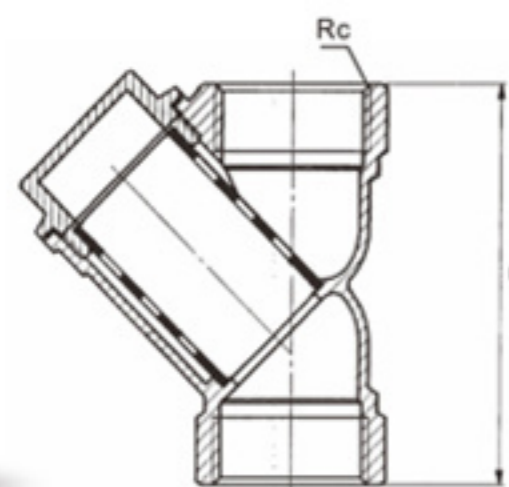
- 1. 公称压力: 1.0MPa
- 2. 工作介质: 水
- 3. 工作温度: $0^{\circ}\text{C} < t \leq 70^{\circ}\text{C}$
- 4. 圆柱管螺纹符合: ISO 228 (GB/T7307)
- 5. 出口压力调节范围: 当进口压力为1.0MPa时 出口压力为0.15MPa-0.45MPa; 当进口压力小于1.0MPa时 出口压力相应降低

Technical specification

- 1. Nominal Pressure: 1.0MPa
- 2. Working Medium: water
- 3. Working Temperature: $0^{\circ}\text{C} < t \leq 70^{\circ}\text{C}$
- 4. Parallel pipe Thread conform to: ISO 228 (GB/T7307)
- 5. Output pressure: When input pressure is 1.0MPa output pressure is 0.15MPa-0.45MPa. When input pressure less than 1.0MPa output pressure reduce accordingly

注: 1. 8701可调式减压阀阀体和阀盖材料采用CF8不锈钢
2. 用户需要特殊工作温度的产品, 请在订货合同中加以说明
Note: 1. Material of 8701 is CF8
2. Please note in the purchase order if need specific working temperature

DN	A	B	C	D
15	92	199	69	G1/2
20	104	209	75	G3/4
25	127	263	82	G1
32	155	315	90.5	G1 1/4
40	180	382	99	G1 1/2
50	204	409	109	G2



技术规范:

- 1. 公称压力: 2.0MPa
- 2. 工作介质: 水、轻微腐蚀性液体
- 3. 工作温度: $-20^{\circ}\text{C} \leq t \leq 150^{\circ}\text{C}$
- 4. 圆柱管螺纹符合ISO 7标准(GB/T7606.1)

Technical specification

- 1. Nominal pressure: 2.0MPa
- 2. Working Medium: Water, Slightly corrosive liquid
- 3. Working Temperature: $-20^{\circ}\text{C} \leq t \leq 150^{\circ}\text{C}$
- 4. Parallel pipe thread conform to ISO 7 (GB/T7606.1)

PartNo.	DN	15	20	25
8606	L	65	77	87.5
(目数)	18			

技术规范:

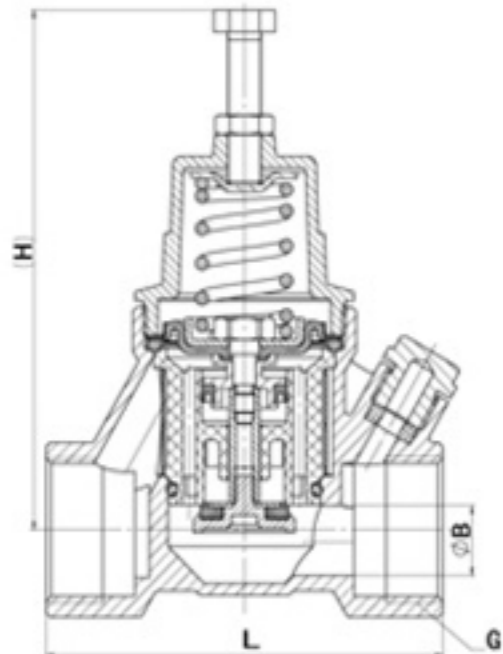
- 1. 公称压力: 1.6MPa
- 2. 工作介质: 水
- 3. 工作温度: $0^{\circ}\text{C} < t \leq 90^{\circ}\text{C}$
- 4. 管螺纹符合ISO 7标准(GB/T7306.2)

Technical specification

- 1. Nominal pressure: 1.6MPa
- 2. Working Medium: Water
- 3. Working Temperature: $0^{\circ}\text{C} < t \leq 90^{\circ}\text{C}$
- 4. Pipe thread conform to ISO 7 (GB/T7306.2)

DN	SIZE	H	L
15	1/2	80	32.5
20	3/4	80	32.5
25	1	80	32.5

8719 不锈钢过滤型减压阀 STAINLESS STEEL FILTER TYPE PRESSURE REDUCING VALVE Y12X-16P



技术规范:

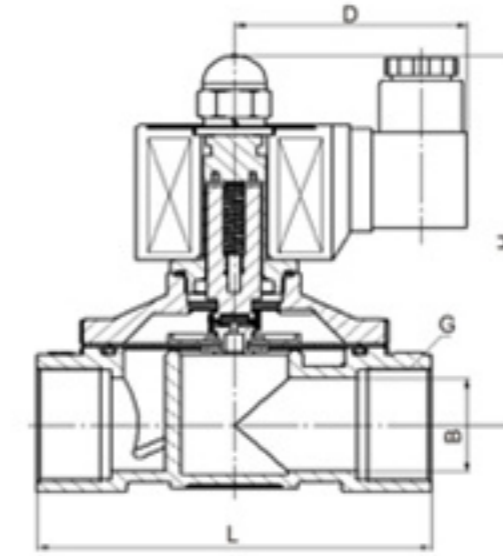
- 1. 公称压力: 1.6MPa
- 2. 工作介质: 水
- 3. 工作温度: 0°C < t ≤ 80°C
- 4. 进口压力为1.0MPa, 出口压力可调节范围为0.15~0.45MPa
- 5. 出厂设定出口压力: 0.3MPa
- 6. 管螺纹符合ISO 228标准(GB/T7307)

Technical specification

- 1. Nominal pressure: 1.0MPa
- 2. Working Medium: Water
- 3. Working Temperature: 0°C < t ≤ 80°C
- 4. The inlet pressure is 1.0MPa and the outlet pressure can be adjusted from 0.15 to 0.45MPa
- 5. Output pressure: 0.3MPa
- 6. Pipe thread conform to ISO 228 (GB/T7307)

DN	15	20	25	32	40	50
SIZE	1/2	3/4	1	1 1/4	1 1/2	2
H(参考)	91	91	119	138	138	157
L	78	78	94	125	125	146
B	14	14	16	26	26	32

8758 不锈钢电磁阀 STAINLESS STEEL SOLENOID VALVE



技术规范:

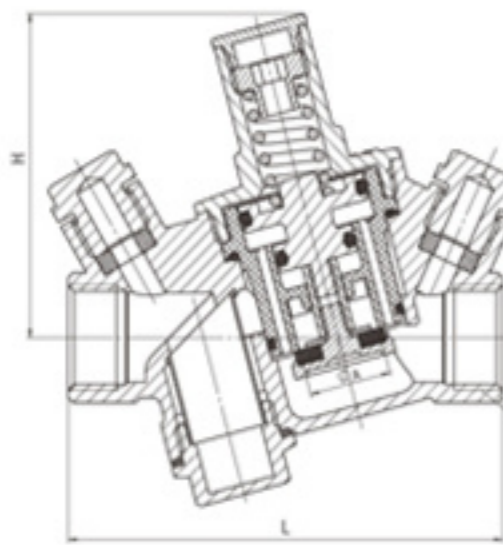
- 1. 公称压力: 1.0MPa
- 2. 工作介质: 空气、水
- 3. 工作温度: -5°C < t ≤ 80°C
- 4. 管螺纹符合ISO 228标准(GB/T7307)
- 5. 动作方式: 直动式
- 6. 型式: 常闭
- 7. 电压: 220V50Hz

Technical specification

- 1. Nominal pressure: 1.0MPa
- 2. Working Medium: air/Water
- 3. Working Temperature: -5°C < t ≤ 80°C
- 4. Pipe thread conform to ISO 228 (GB/T7307)
- 5. Manner of execution: direct-acting
- 6. Type: Normally closed
- 7. Voltage: 220V50Hz

DN	SIZE	L	H	D	B
15	1/2	68	99.2	58.5	15.4
20	3/4	73	103.4	58.5	20
25	1	99	107.2	58.5	27
32	1 1/2	113	130.3	67.5	32
40	1 3/4	120	135.8	67.5	40.5
50	2	165	152.3	67.5	40.5

8730 不锈钢过滤器减压阀 STAINLESS STEEL FILTER PRESSURE REDUCING VALVE Y13X-16P



技术规范:

- 1. 工作压力: 1.6MPa
- 2. 工作介质: 水
- 3. 工作温度: 0°C < t ≤ 80°C
- 4. 进口压力为1.6MPa, 出口压力调节范围为0.25~0.6MPa
进口压力为0.8MPa, 出口压力调节范围为0.15~0.45MPa
- 5. 出厂设定出口压力: 0.3MPa
- 6. 管螺纹符合ISO 228标准(GB/T7307)

Technical specification

- 1. Nominal pressure: 1.6MPa
- 2. Working medium: Water
- 3. Working temperature: 0°C < t ≤ 80°C
- 4. The inlet pressure is 1.6MPa, and the outlet pressure adjustment range is 0.25~0.6MPa
The inlet pressure is 0.8MPa, and the outlet pressure adjustment range is 0.15~0.45MPa
- 5. Factory setting outlet pressure: 0.3MPa
- 6. Pipe thread according to ISO 228 standard (GB/T7307)

DN	L	H	ΦA	G
15	90	65	17	1/2
20	95	65	17	3/4
25	109	74.7	19	1
32	135	108	30	1 1/4
40	150	108	30	1 1/2
50	175	124	38	2

不锈钢波纹编织管 STAINLESS STEEL BRAIDED PIPE



608-608A 不锈钢编织软管 STAINLESS STEEL WAVED HOSE



608D 不锈钢编织软管 STAINLESS STEEL WAVED HOSE



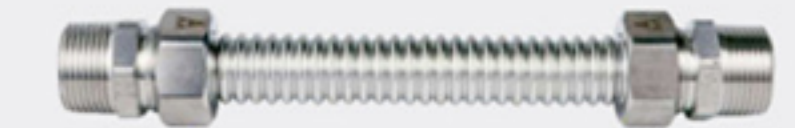
608E 不锈钢伸缩软管 STAINLESS STRLL FLEXIBLE HOSE



658 不锈钢水暖波纹连接管 RIPPLING HOSE FOR SANITARY WAER



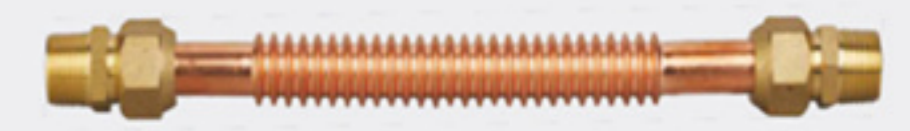
668A 不锈钢空调波纹连接管 STAINLESS STEEL RIPPLING HOSE(FOR AIR-CONTION)



668BS 不锈钢空调波纹连接管 STAINLESS STEEL MALE RIPPLING ADAPTER(BTYPE)

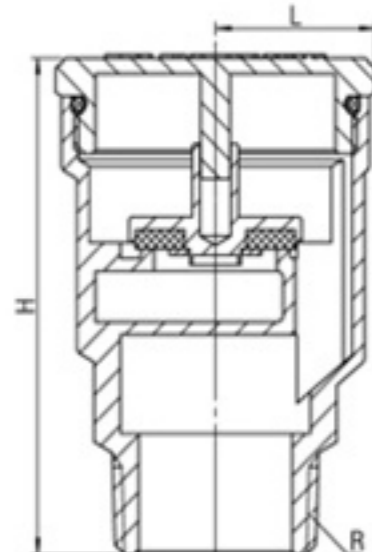


668C 不锈钢空调波纹连接管 STAINLESS STEEL MALE RIPPLING] ADAPTER(CTYPE)



670 紫铜空调波纹连接管 COPPER STEEL MALE PIPLING ADAPTER(CTYPE)

8756 不锈钢真空破坏器 STAINLESS STEEL VACUUM BREAKER Y13X-16P



技术规范:

- 1. 公称压力: 1.6MPa
- 2. 工作介质: 水
- 3. 工作温度: 0°C < t ≤ 90°C
- 4. 必须垂直安装, 不可以水平安装或倒置, 以免影响其正常使用
- 5. 管螺纹符合ISO 7标准(GB/T7306.2)

Technical specification

- 1. Nominal pressure: 1.6MPa
- 2. Working Medium: Water
- 3. Working Temperature: 0°C < t ≤ 90°C
- 4. Must be installed vertically, can not be installed horizontally or inverted, so as not to affect its normal use
- 5. Pipe thread conform to ISO 7 (GB/T7306.2)

DN	SIZE	L	H
15	1/2	21	70
20	3/4	21	70
25	1	26	70

不锈钢波纹连接管 STAINLESS STEEL CONNECTION PIPE

型号	规格									
608/608A/ 608D/608E	1/2X300	1/2X400	1/2X500	1/2X600	1/2X700	1/2X800	1/2X900			
	1/2X1000	1/2X1100	1/2X1200	1/2X1300	1/2X1400	1/2X1500				
658	1/2X150	1/2X200	1/2X250	1/2X300	1/2X350	1/2X400				
	3/4X150	3/4X200	3/4X250	3/4X300	3/4X350	3/4X400				
668A	1/2X150	1/2X200	1/2X250	1/2X300	1/2X350	1/2X400				
	3/4X150	3/4X200	3/4X250	3/4X300	3/4X350	3/4X400	3/4X450			
	1X200	1X250	1X300	1X350	1X400	1X450	1X500			
668B	1/2X150	1/2X200	1/2X250	1/2X300	1/2X350	1/2X400	1/2X450			
	3/4X150	3/4X200	3/4X250	3/4X300	3/4X350	3/4X400	3/4X450	3/4X500	3/4X550	3/4X600
	3/4X650	3/4X700	3/4X800	3/4X900	3/4X1000	3/4X1100	3/4X1200			
668C	1/2X200	1/2X250	1/2X300	1/2X350	1/2X400	1/2X450				
	3/4X200	3/4X250	3/4X300	3/4X350	3/4X400	3/4X450				
	1X200	1X250	1X300	1X350	1X400	1X450				
	1 1/4X200	1 1/4X250	1 1/4X300	1 1/4X350	1 1/4X400	1 1/4X450				
	1 1/2X200	1 1/2X250	1 1/2X300	1 1/2X350	1 1/2X400					
	2X200	2X250	2X300	2X350	2X400	2X450				
670	1/2X150	1/2X200	1/2X250	1/2X300	1/2X350	1/2X400	1/2X500			
	3/4X150	3/4X200	3/4X250	3/4X300	3/4X350	3/4X400	3/4X500			

注：产品的长度规格，系产品的全长。



698吊环



699壁环



006生料带



地漏 002 003 004 005

型号	规格										
698	15	22	28	35	42	54	67	76	108	133	159
699	15	22	28	35	42	54	67	76	108	133	159
006	0.1mm×25mm×5m			0.1mm×25mm×10m				0.1mm×25mm×20m			
002/003/004/005	15	22	28	35	42	54	67	76	108		

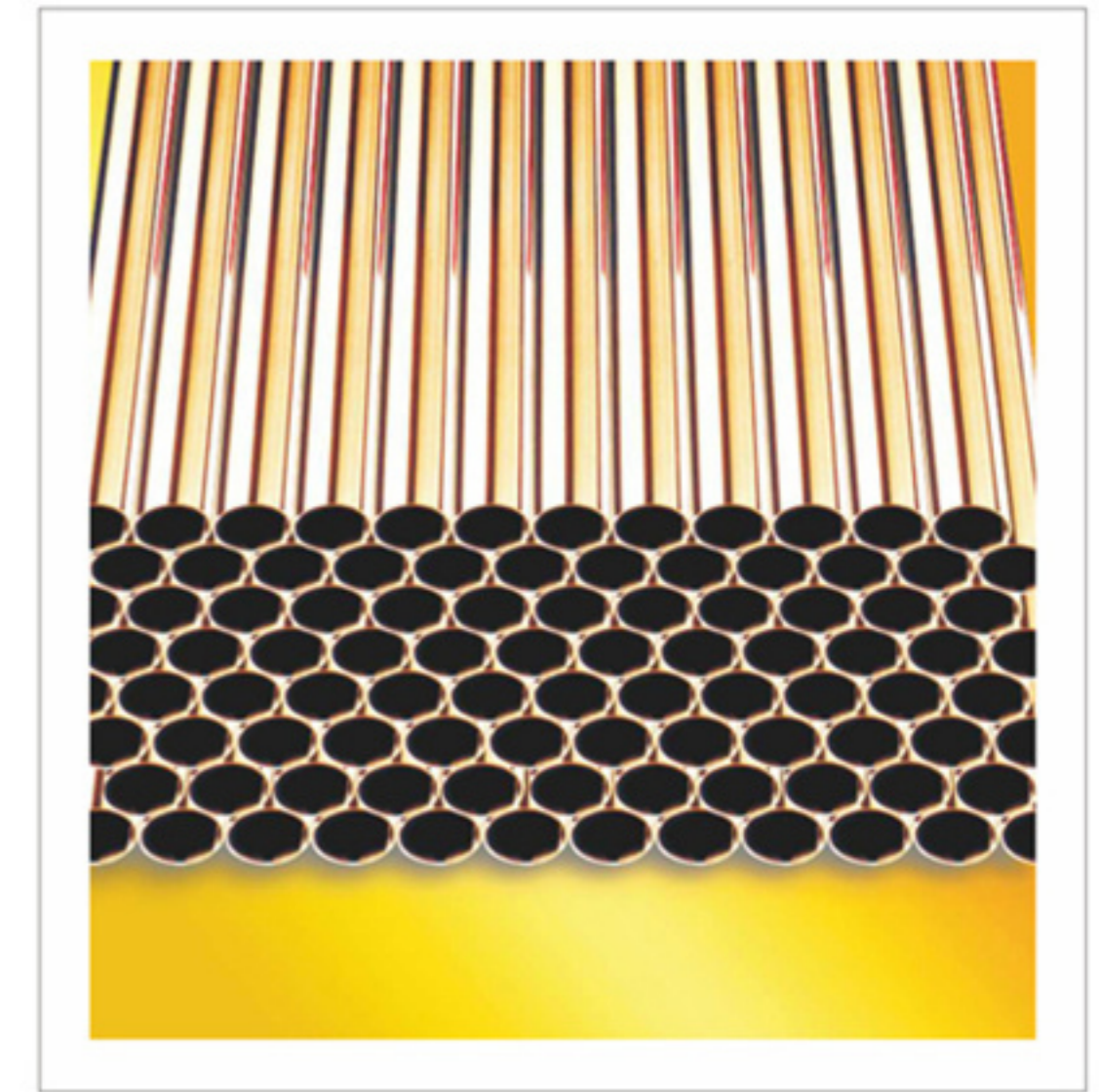
管件

PIPES



566覆塑紫铜管 COPPER PIPE PLASTIC PLATED

规格：15 22 28 35 42 54



565紫铜管 COPPER TUBE

规格：15 22 28 35 42 54 67 76 89 108 133 159 219

紫铜管选用标准规格
Dimensions of copper tube

公称尺寸 DN	公称外径 mm	壁厚 mm
15	15	0.7~1
20	22	0.8~1.5
25	28	0.9~1.5
32	35	1.2~1.5
40	42	1.2~1.5
50	54	1.5~2.0
65	67	1.5~2.5
---	76	1.8~2.5
80	89	1.8~2.5
100	108	2~2.5
125	133	2~3
150	159	2.5~3.5
200	219	3~4.5

注：用户应根据管路系统的压力要求来选择管材的壁厚。
Note: User select thick of tube wall according to system pressure.

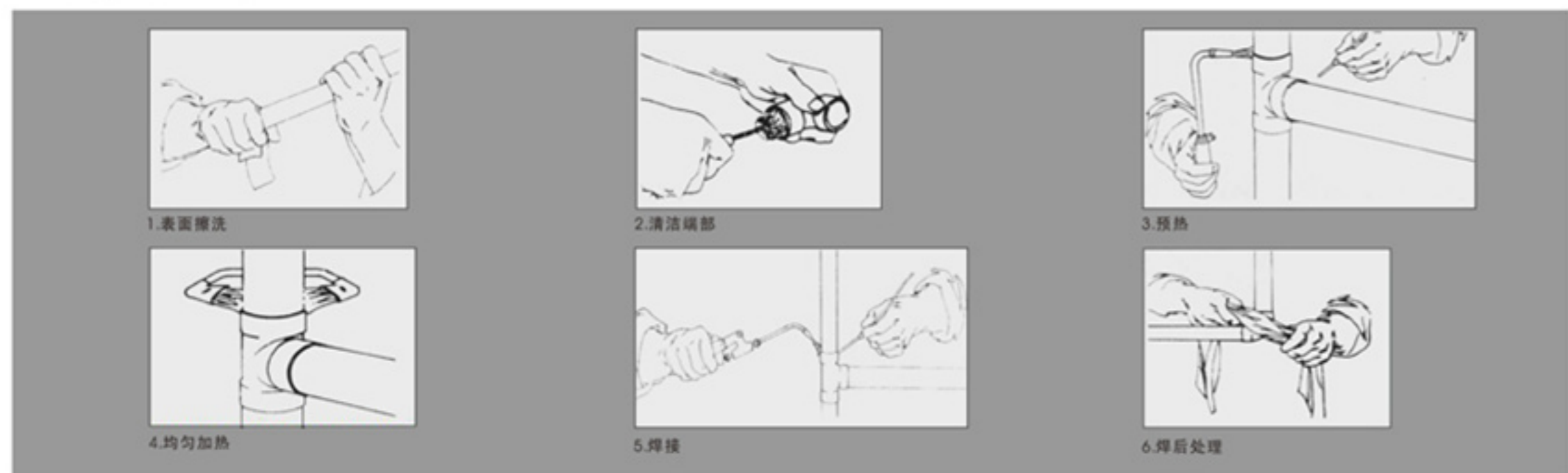
适用介质
Suitable medium

海水、蒸汽、冷水、热水、氧气、空气、天然气、液化石油气、氟利昂12、氟利昂22等对铜无腐蚀性作用的其他介质。
Sea water, steam, coldwater, hot water, oxygen, air, Freon12, Freon22 and other non-corrosive to copper media role.

紫铜焊接配件 COPPER SOLDER FITTINGS

 <p>564紫铜过桥弯管 COPPER TUBE 规格: 15 22 28</p>	 <p>C-609(CXCXCXC) 紫铜承口四通 EQUAL CROSS 规格: 15 22 28 35 42 54 67 76 108</p>	 <p>C-610(CXCXC) 紫铜承口三通 EQUAL TEE 规格: 15 22 28 35 42 54 67 76 108 133 159 219</p>	 <p>C-611(CXCXC) 紫铜承口异径三通 REDUCING TEE 规格: 22X 28X 35X 42X 54X 67X 76X 108X 133X 159X 219X</p>
 <p>C-612(CXC) 紫铜承口接头 STRAIGHT COUPLING 规格: 15 22 28 35 42 54 67 76 108 133 159 219</p>	 <p>C-613(CXC) 紫铜承口异径接头 REDUCING COUPLING 规格: 15X 22X 28X 35X 42X 54X 67X 76X 108X 133X 159X 219X</p>	 <p>C-614(CXCXCXC) 紫铜承口异径四通 REDUCING CROSS 规格: 15X 22X 28X 35X 42X 54X 67X 76X 108X</p>	 <p>C-615(CXC) 紫铜插承口异径接头 REDUCING COUPLING 规格: 15X 22X 28X 35X 42X 54X 67X 76X 108X 133X 159X 219X</p>
 <p>C-616(CXC) 紫铜45°承口弯头 45° EQUAL ELBOW C-617(CXC) 紫铜45°承口异径弯头 45° REDUCING ELBOW 规格: 15X 22X 28X 35X 42X 54X 67X 76X 108X 133X 159X 219X</p>	 <p>C-618(CXC) 紫铜90°承口弯头 90° EQUAL ELBOW 规格: 15 22 28 35 42 54 67 76 108 133 159 219</p>	 <p>C-619(CXC) 紫铜90°承口异径弯头 90° REDUCING ELBOW 规格: 15X 22X 28X 35X 42X 54X 67X 76X 108X 133X 159X 219X</p>	 <p>C-620(C) 紫铜管帽 CAP 规格: 15 22 28 35 42 54 67 76 108</p>

注: 为防止冷热温差带来的轴向位移造成管路系统的开裂等破坏, 应加装膨胀节, 并不得浇注在钢筋混凝土内或直接敷设(暗埋)在地面层的混凝土面层内。



1. 表面清洗
2. 清洁端口
3. 预热
4. 均匀加热
5. 焊接
6. 焊后处理

螺纹和卡套连接铜合金管道配件 THREADED AND COMPRESSION COPPER ALLOY FITTINGS

 <p>LK-624 黄铜90°内螺纹卡套弯头 90° FEMALE COMPRESSION ELBOW 规格: 1/2X15 3/4X22 1X28 1 1/4X35</p>	 <p>LK-625 黄铜90°外螺纹卡套弯头 90° MALE COMPRESSION ELBOW 规格: 1/2X15 1/2X22 3/4X22 3/4X28 1X28 1 1/4X35</p>	 <p>K-626 黄铜90°卡套弯头 90° COMPRESSION ELBOW 规格: 15 22 28 35</p>	 <p>K-627 黄铜90°卡套异径弯头 90° COMPRESSION REDUCING ELBOW 规格: 10X8 15X10 22X15 28X15 28X22 35X22 35X28</p>
 <p>K-641 黄铜卡套接头 COMPRESSION COUPLING 规格: 6X6 8X8 10X10 12X12 18X18 15X15 22X22 28X28 35X35</p>	 <p>K-642 黄铜卡套异径接头 COMPRESSION REDUCING COUPLING 规格: 22X15 28X15 28X22 35X22 35X28</p>	 <p>LK-643 黄铜外螺纹卡套接头 MALE COMPRESSION NIPPLE 规格: 1/2X15 1/2X22 3/4X22 1/2X28 1X28 3/4X28 1 1/4X35</p>	 <p>LK-644 黄铜内螺纹卡套接头 FEMALE COMPRESSION NIPPLE 规格: 1/2X15 1/2X22 3/4X22 1/2X28 3/4X28 1X28 1 1/4X35</p>
 <p>K-653 黄铜卡套三通 COMPRESSION EQUAL TEE 规格: 6 8 10 12 15 18 22 28 35</p>	 <p>K-654 黄铜卡套异径三通 COMPRESSION REDUCING TEE 规格: 10X8 15X8 15X10 22X10 22X15 28X15 28X22 35X22 35X28</p>	 <p>KL-657 黄铜卡套内螺纹三通接头 FEMALE COMPRESSION TEE NIPPLE 规格: 1/2X15 1/2X22 3/4X22 1/2X28 3/4X28 1X28</p>	

螺纹和卡套连接铜合金管道配件 **THREADED AND COMPRESSION COPPER ALLOY FITTINGS**

 <p>LC-621 黄铜90° 外螺纹承口弯头 90° MALE EQUAL ELBOW 规格: 1/2X15 1/2X22 3/4X22 3/4X28 1X28 1/4X35 1/2X42 2X54 2/2X67 3X76 4X108</p>	 <p>LC-622 黄铜90° 内螺纹承口弯头 90° FEMALE EQUAL ELBOW 规格: 1/2X15 3/4X22 1X28 1/4X35 1/2X42 2X54 2/2X67 3X76 4X108</p>	 <p>L-623 黄铜90° 内螺纹弯头 90° FEMALE EQUAL ELBOW 规格: 1/2 3/4 1 1/4 1/2 2 2/2 3 4</p>	 <p>L-628 黄铜90° 内螺纹异径弯头 90° FEMALE REDUCING ELBOW 规格: 1/2X 3/4X 1X 1/4X 1/2X 2X 2/2X 3X 4X</p>
 <p>L-649 黄铜内螺纹三通 FEMALE TEE 规格: 1/2 3/4 1 1/4 1/2 2 2/2 3 4</p>	 <p>L-650 黄铜内螺纹异径三通 FEMALE REDUCING TEE 规格: 1/2X 3/4X 1X 1/4X 1/2X 2X 2/2X 3X 4X</p>	 <p>L-651 黄铜内螺纹四通 FEMALE CROSS 规格: 1/2 3/4 1 1/4 1/2 2 2/2 3 4</p>	 <p>L-656 黄铜内螺纹承口三通 FEMALE EQUAL TEE 规格: 1/2X15 1/2X22</p>
 <p>L-659 黄铜内螺纹活接头 FEMALE UNION 规格: 1/2 3/4 1 1/4 1/2 2 2/2 3 4</p>	 <p>L-661 黄铜外螺纹活接头 MALE UNION 规格: 1/2 3/4 1 1/4 1/2 2 2/2 3 4</p>	 <p>L-662 黄铜内外螺纹等径活接头 MALE&FEMALE UNION 规格: 1/2 3/4 1 1/4 1/2 2 2/2 3 4</p>	 <p>LC-663 黄铜内螺纹承口活接头 FEMALE EQUAL UNION 规格: 1/2X15 1/2X22 3/4X22 3/4X28 1X28 1/4X35 1/2X42 2X54 2/2X67 3X76 4X108</p>
 <p>LC-664 黄铜外螺纹承口活接头 MALE EQUAL UNION 规格: 1/2X15 3/4X22 1X28 1/4X35 1/2X42 2X54 2/2X67 3X76 4X108</p>	 <p>C-665 黄铜承口活接头 EQUAL BUSHING 规格: 15 22 28 35 42 54 67 76 108 133 159</p>	 <p>L-680 黄铜内螺纹接头 FEMALE COUPLING 规格: 1/2 3/4 1 1/4 1/2 2 2/2 3 4</p>	 <p>L-681 黄铜外螺纹接头 MALE NIPPLE 规格: 1/2 3/4 1 1/4 1/2 2 2/2 3 4</p>

螺纹和卡套连接铜合金管道配件 **THREADED AND COMPRESSION COPPER ALLOY FITTINGS**

 <p>L-682 黄铜内外螺纹接头 MALE&FEMALE BUSHING 规格: 1/2 3/4 1 1/4 1/2 2 2/2 3 4</p>	 <p>L-683 黄铜内螺纹异径接头 FEMALE REDUCING COUPLING 规格: 1/2X 3/4X 1X 1/4X 1/2X 2X 2/2X 3X 4X</p>	 <p>L-684 黄铜外螺纹异径接头 MALE REDUCING NIPPLE 规格: 1/2X 3/4X 1X 1/4X 1/2X 2X 2/2X 3X 4X</p>	 <p>L-685 黄铜内外螺纹异径接头 MALE&FEMALE NIPPLE REDUCING 规格: 1/2X 3/4X 1X 1/4X 1/2X 2X 2/2X 3X 4X</p>	 <p>LC-686 黄铜内螺纹承口接头 FEMALE ADAPTER 规格: 1/2X15 3/4X22 1X28 1/4X35 1/2X42 2X54 2/2X67 3X76 4X108</p>
 <p>LC-687 黄铜外螺纹承口接头 MALE ADAPTER 规格: 1/2X15 3/4X22 1X28 1/4X35 1/2X42 2X54 2/2X67 3X76 4X108</p>	 <p>LC-688 黄铜外螺纹插口接头 MALE COUPLING 规格: 1/2X15 3/4X22 1X28 1/4X35 1/2X42 2X54 2/2X67 3X76 4X108</p>	 <p>L-690 黄铜45° 内螺纹弯头 45° FEMALE ELBOW 规格: 1/2 3/4 1 1/4 1/2 2 2/2 3 4</p>	 <p>L-691 黄铜45° 内外螺纹弯头 45° MALE&FEMALE ELBOW 规格: 1/2 3/4 1 1/4 1/2 2 2/2 3 4</p>	 <p>L-692 黄铜90° 内外螺纹弯头 90° MALE&FEMALE ELBOW 规格: 1/2 3/4 1 1/4 1/2 2 2/2 3 4</p>
 <p>LF-671 外螺纹全铜法兰 FULL COPPER MALE FLANGE 规格: 1/2 3/4 1 1/4 1/2 2 2/2 3 4</p>	 <p>LF-672 外螺纹铜衬钢法兰 COPPER-PLATED FEMALE STEEL FLANGE 规格: 1/2 3/4 1 1/4 1/2 2 2/2 3 4</p>	 <p>LF-673 内螺纹铜衬钢法兰 COPPER-PLATED FEMALE STEEL FLANGE 规格: 1/2 3/4 1 1/4 1/2 2 2/2 3 4</p>	 <p>CF-674 承口铜衬钢法兰 COPPER-PLATED STEEL FLANGE 规格: 15 22 28 35 42 54 67 76 108 133 159 219</p>	 <p>CF-675 承口全铜法兰 FULL COPPER EQUAL STEEL FLANGE 规格: 15 22 28 35 42 54 67 76 108 133 159</p>

用户注意事项

阀门是控制介质的部件，承受压力和温度，必须正确选择、安装、使用和维护才能发挥阀门的正常功能，确保人身和财产的安全。

一、选择

选用任何种类阀门前，都应仔细阅读其生产厂的产品说明书，按工况要求和阀门的技术规范选用阀门。

- 1、常温使用的工作压力不可超过阀门的公称压力。工作温度应在阀门规范的范围內，同时其工作压力不可超过该温度下的允许值。用于蒸汽时，压力不可超过额定的饱和蒸汽工作压力。
- 2、不可使用对阀门材料有腐蚀作用的介质。可燃性气、液体应选用专用阀门。因介质中的氯离子对普通黄铜具有腐蚀性，会导致普通黄铜产品的脱锌腐蚀，在含氯离子较高的介质中应选用防脱锌黄铜阀门、青铜阀门等产品。
- 3、国家标准GB/T13927-2022《工业阀门 压力试验》规定了金属密封阀门的最大允许泄漏量。因此该类阀门（如金属密封闸阀、截止阀）不可用于密封要求较高的场合和管路终端。
- 4、为避免密封面受介质冲蚀，闸阀和球阀宜全开或全关。
- 5、对于压力、流量、液位控制类阀门，机动阀门（电动、液动、气动），自动阀门（如温控阀、自动排气阀）的选择，必须考虑其输入、输出和操作的全部参数。
- 6、过滤网目数定义：1平方英寸面积上的孔数的二次方根数值。

二、安装

各类阀门的安装必须由具有相关资格的专业人员进行，安装后须按标准要求进行试压调试合格。

- 1、安装阀门的管路应有足够的位置精度，强行连接到轴线夹角偏差或距离偏移过大的管路会产生过量的装配应力，使阀门失效或破坏。
- 2、管螺纹连接的阀门，安装旋紧时应扳紧该螺纹同侧的六角或八角部位。应控制管端外螺纹的尺寸，以免过量旋入阀门而顶压内端面，造成阀座变形影响密封性或破坏阀门。
- 3、管路中的杂物会破坏阀门的密封性，加快密封面的磨损，或使阀门失效。因此在安装阀门的过程中，必须彻底清洗所有的阀门和管件的通路，并尽可能在管路的进口处安装过滤器。
- 4、调节类阀门和自动阀门（如减压阀、电磁阀、自动排气阀等）的安装，还须在安装前仔细阅读其产品说明书，按要求安装调试。

三、使用

- 1、不可用加大力臂的操作件替代原装的手轮、手柄，以免因操作力矩过大而损坏阀门。
- 2、对于蝶阀和球阀产品，过大的关闭速度会产生水锤效应，使阀门瞬间压力增大数倍，可能破坏阀门和管件，应予注意。
- 3、管路压力或温度的频繁波动会降低阀门寿命或造成破坏，应设法避免。
- 4、阀杆用填料结构密封的阀门，使用一段时间后可能因填料磨损而泄漏，可旋紧填料压盖进行补偿。如需要更换填料，必须卸去介质压力。

四、附录

- 1、按壳体材料分类，黄铜阀门的温度压力额定值如下：

最大无冲击工作压力MPa 公称压力MPa	介质温度℃ -20~120	120~180
0.6	0.6	0.5
1.0	1.0	0.8
1.6	1.6	1.3
2.5	2.5	2.0
4.0	4.0	3.2

- 2、非金属密封材料允许的最高工作温度（涉及到相关产品，请查阅该产品的技术规范的规定）如下：

材 料	最高使用温度 ℃
增强聚四氟乙烯	180
硅 橡 胶	150
丁腈橡胶	120

- 3、饱和蒸汽的温度压力的对应关系如下：

压力（表压）Mpa	0.2	0.4	0.6	0.8	1.0	1.2	1.4	1.6	1.8	2.0
饱和温度	133	152	165	175	184	192	198	204	210	215