



安全无障碍扶手

SAFETY BARRIER-FREE HANDRAIL



NINGBO FINIO SANITARY WARE CO.,LTD

ADD:NO.218-26 WANGSHAN ROAD,JINGBEI DIST,NINGBO,CHINA 315000
TEL:+86-574-87151980 FAX:+86-574-87151980
EMAIL:info@finio.cn WEB:www.finio.cn

10,000m²

Company Profile And Culture

FINIO INC is located in Ningbo,China,the company has various specialties equipment and high-quality technical personnel, introducing foreign technology and design.Our concept is a professional company that integrates research and development, production, and sales Engaged in modern production of safety protection handrails and accessible facilities Enterprise. The company mainly produces various safety handrails, movable handrails, Toilet armrest, urinal armrest, wash basin armrest, public walk Accessible safety handrails such as corridor disabled handrails and foldable shower benches,The series of products have been widely used in hospitals, hotels,families, and elderly care Hospitals, elderly apartments, schools,high-end commercial buildings, factory workshops,Places such assports venues and airports. The company will also, based on market demand,Quickly and promptly develop and produce more color accessible products,Quality to fully meet customer needs and bring international products to customers,Quality products and services to create health, cleanliness, and comfort,Strive for a living space and become the most trusted brand in your life.



可靠的质量保证 Reliable quality assurance

Finio has imported advanced material physical and chemical analysis equipment from Europe and the United States since 2001. It has purchased internationally-esteemed testing machines used for valves, faucets, hoses, durability, fluidity, tempt, tension and burst, metallographic analyzers, 58 sets of complete mechanical & physical testing equipment or checking assembly line, and 26 units of standard machines.

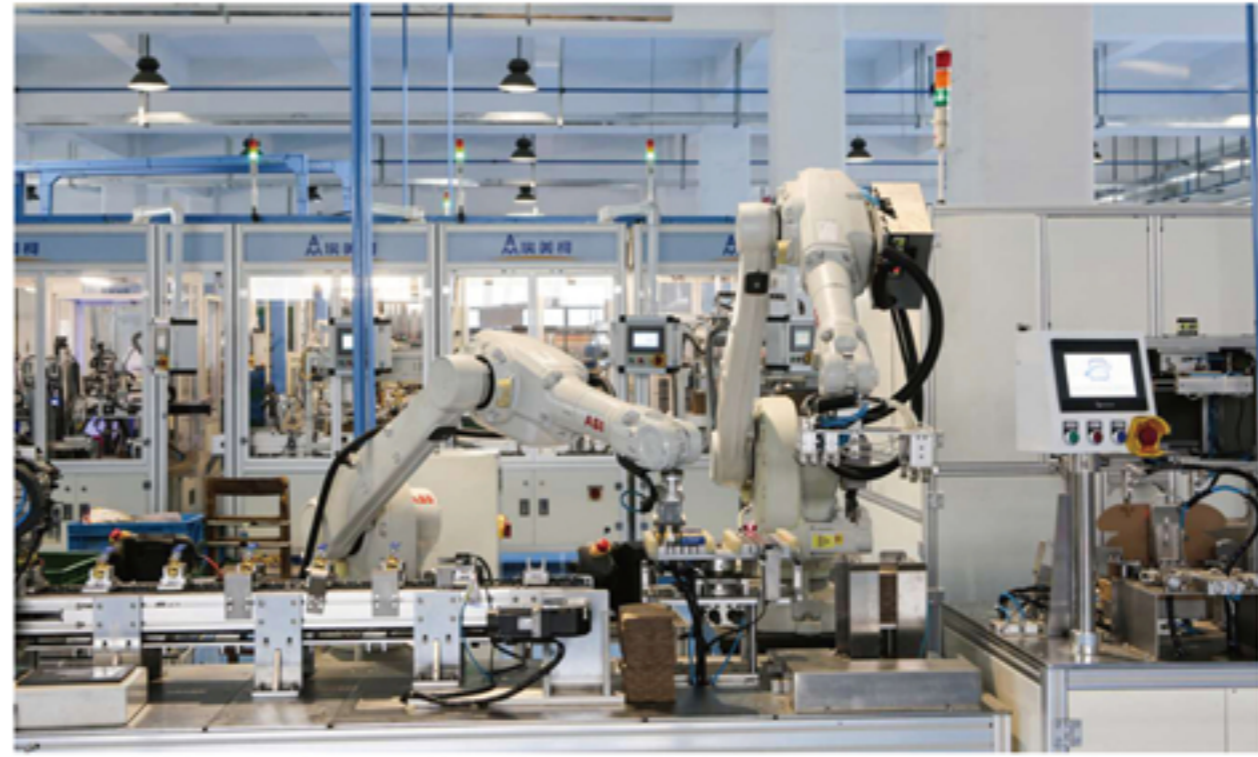
As early as the year of 1994, FINIO had acquired the ISO 9000 serial Certification for Quality Management System and strictly compiled the whole set of process control procedure documents in the process of material procurement, designing, manufacturing, performance testing, and packaging etc. In 2001, the Group not only obtained the ISO 9001 Certification for Quality Management System and the ISO 14001 Certification for Environmental Management System, but also acquired the Australian AS/NZS 3688, AS/NZS 3718, AS 5830.1, and EU's CE Quality Certification with 100% qualification ratio of ex-work products and 100% qualification ratio of export commodity inspection. In 2012, FINIO was acclaimed as the first batch of Demonstration Enterprise for Exports' Safety and Quality by Entry-exit Inspection & Quarantine Bureau of Ningbo City. In October 2010, FINIO's testing center was praised and accredited by China National Accreditation Service for Conformity Assessment, which is affirmation for FINIO's testing capability.



The first class equipments 一流的生产设备

"A handy tool makes a handy man", as it says, the integration management of Industrialization & Informatization, and Intellectualization Equipment can guarantee modern production requirements. Recently, FINIO strived to undertake the technology upgrading, including equipment investment and intelligent unmanned workshops, which preliminarily paved the way for large-scale Intellectualization.

In order to enlarge production, form industrial chains, and promote FINIO, the Modern Industrial Town was inaugurated in 2006. Meanwhile, we had invested a large sum of money in technical upgrading, which replaced old manufacturing equipments and changed into new production models. All these efforts facilitated industrial upgrading and restructuring in order to enhance our competitiveness.



由此开启无障碍生活...
Making a barrier-free life for you



More love less care
多一份关爱 少一份牵挂

给老人、残障人士、行动不便的人多一份关爱与支持，让他们生活变得更加自信。

For the elderly, the disabled, the disabled
One more love and support, let their lives
changeBe more confident.

我们不断的优化产品，符合人体工程学并且经过多次安全实验，为的就是让老人、残障人士使用起来更加的舒适与安全。

We continue to optimize the product, in line with
the human bodyCheng xue and after many safety
experiments, forls to let the elderly, disabled
people use morePlus comfort and safety.

01-04

树脂木纹扶手系列
Resin wood grain handrail



05-06

通道扶手系列
Corridor handrail



07-10

抗菌尼龙扶手系列
Antibiosis nylon handrail series



11-20

坐便器扶手系列
Toilet handrail series



21-22

小便器扶手系列
Urinal handrail series



23-26

洗手盆扶手系列
Wash basin handrail series



27-32

抗菌尼龙淋浴凳系列
Antibiosis nylon shower seat series



33-34

铝合金洗澡椅系列
Bath chair series



35-41

不锈钢扶手系列
Stainless steel handrail series



42-42

床边扶手系列
Bedside series



43-44

婴儿护理台系列
Baby changing series



45-45

防撞扶手系列
Anti-collision series



CATALOGUE
目录

To you and your family
A PROVEN SAFETY

给您和家人
久经考验的安全保障



SAFETY BARRIER-FREE

HANDRAL

安全无障碍
扶手



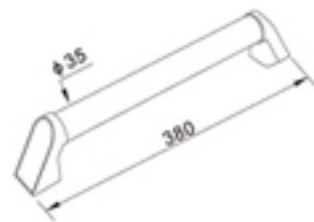
树脂木纹扶手
Resin wood grain handrail



ZL-M01
木纹一字型扶手

主要材料: 树脂+锌合金
木纹颜色: A款
五金颜色: 银色

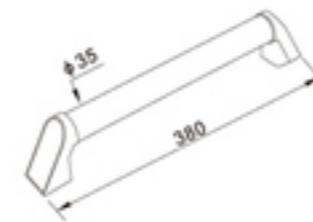
Main materials: resin+zinc alloy
Wood grain color: A
Hardware color: silver



ZL-M01
木纹一字型扶手

主要材料: 树脂+锌合金
木纹颜色: B款
五金颜色: 金色

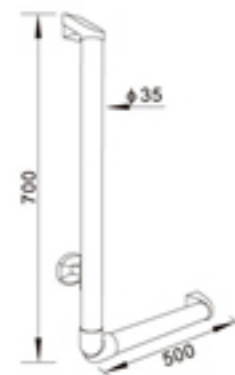
Main materials: resin+zinc alloy
Wood grain color: B
Hardware color: gold



ZL-M03
木纹L型扶手

主要材料: 树脂+锌合金
木纹颜色: B款
五金颜色: 银色

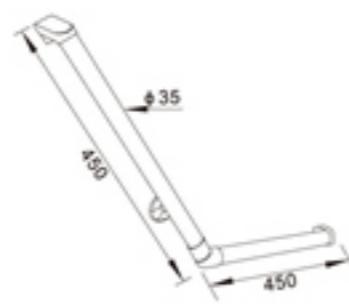
Main materials: resin+zinc alloy
Wood grain color: B
Hardware color: silver



ZL-M05
木纹135°扶手

主要材料: 树脂+锌合金
木纹颜色: B款
五金颜色: 银色

Main materials: resin+zinc alloy
Wood grain color: B
Hardware color: silver



适用于走廊（楼梯）、淋浴房、厕位及起身需要的地方。

Suitable for corridors (stairs), shower rooms, restrooms, and places where you need to get up.





木纹扶手

型号/Model: ZL-M01
材质/Material: 树脂+锌合金
颜色/Color: A款



木纹扶手

型号/Model: ZL-M01
材质/Material: 树脂+锌合金
颜色/Color: B款



木纹扶手

型号/Model: ZL-M01
材质/Material: 树脂+锌合金
颜色/Color: C款



木纹扶手

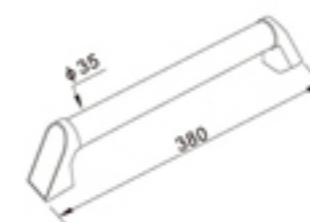
型号/Model: ZL-M01
材质/Material: 树脂+锌合金
颜色/Color: E款

五金件 Hardware	 银色/Silver	 银色/Silver
	 金色/Gold	 金色/Gold



ZL-M01
实木扶手

主要材料: 白蜡木+锌合金
实木颜色: 原色
Main material: white wax wood+zinc alloy
Solid wood color: primary color



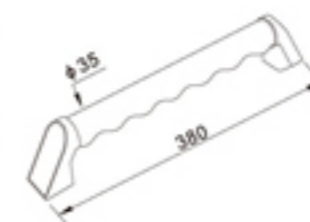
ZL-M01
实木扶手

主要材料: 红橡木+锌合金
实木颜色: 浅胡桃色
Main material: red oak+zinc alloy
Solid wood color: light walnut color



ZL-M01
实木扶手

主要材料: 榉木+锌合金
实木颜色: 原色
Main material: beech wood+zinc alloy
Solid wood color: primary color



ZL-M01
实木扶手

主要材料: 榉木+锌合金
实木颜色: 深胡桃色
Main material: beech wood+zinc alloy
Solid wood color: Dark Walnut



*以上实木扶手可选平纹或防滑指纹, 支持颜色定制。



无障碍扶手

专利号：ZL 2022 2 0136



一体式快捷安装盘（专利）
整体更加牢固，安装更加便捷
装饰盖顺时针旋转即可固定



400斤承重

产品承重性能通过权威安全机构CTC的认证。

Force Test For Bathroom Grab bars

Products sustain a dead load for 2000N for 60 seconds.
With the forcere removed there shall be no permanent deformation greater than 1/100



产品在安装状态下，承受300kg净载荷600s，卸载后各组件无松动且无明显变形，能正常使用。
注：承重数据为在确保牢固安装的前提下获得。



ZL-A06 一字通道扶手

主要材料：尼龙和不锈钢管复合
尼龙颜色：白色、黄色、灰色

Main material:
compounding of nylon and stainless steel
color of nylon:white,yellow,gray



ZL-A07 一字通道扶手

主要材料：尼龙和不锈钢管复合
尼龙颜色：白色、黄色、灰色

Main material:
compounding of nylon and stainless steel
color of nylon:white,yellow,gray



无障碍单层扶手：高度应为850毫米~900毫米。

无障碍双层扶手：

上层扶手高度应为850 mm~900 mm，适合于步行人士及持仗人士辅助行走。

下层扶手高度应为650 mm~700 mm，适合于坐轮椅的人士和儿童辅助使用。

Accessible single layer handrail: The height should be between 850mm and 900mm.

Accessible double layer handrail:

The height of the upper handrail should be 850 mm~900 mm, suitable for pedestrians and armrests to assist in walking.

The height of the lower armrest should be 650 mm~700 mm, suitable for assisting wheelchair users and children.



ANTIBIOSIS

NYLON HANDRAIL SERIES

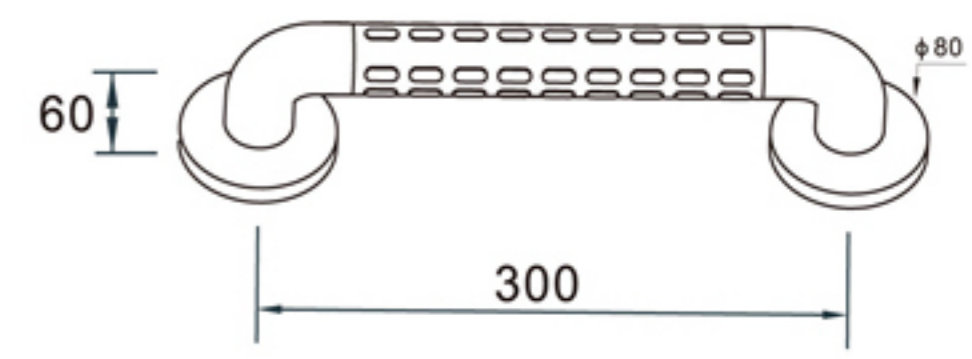
抗菌尼龙扶手系列

抗菌尼龙扶手性能特点

CHARACTERISTICS OF THE ANTIBIOSIS NYLON HANDRAIL

外置采用直径35mm抗菌尼龙防滑套管
内置采用直径28mm不锈钢管复合而成

尼龙材料具有抗老化、耐腐蚀、耐火、环保等特性
加上银离子无机抗菌剂，能对大肠杆菌，金黄色葡萄球菌，MRS等600种以上的微生物细菌有效



ZL-A01
一字型扶手

主要材料：尼龙和不锈钢管复合
尼龙颜色：白色
Main material:
compounding of nylon and stainless steel
color of nylon:white



ZL-A01
一字型扶手

主要材料：尼龙和不锈钢管复合
尼龙颜色：黄色
Main material:
compounding of nylon and stainless steel
color of nylon:yellow



ZL-A01
一字型扶手

主要材料：尼龙和不锈钢管复合
尼龙颜色：深空灰
Main material:
compounding of nylon and stainless steel
color of nylon:deep space grey



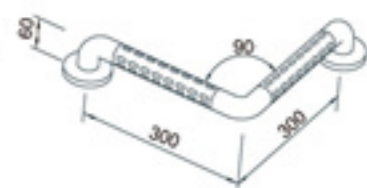
ZL-A01
一字型扶手

主要材料：尼龙和不锈钢管复合
尼龙颜色：磨砂黑
Main material:
compounding of nylon and stainless steel
color of nylon:matte black



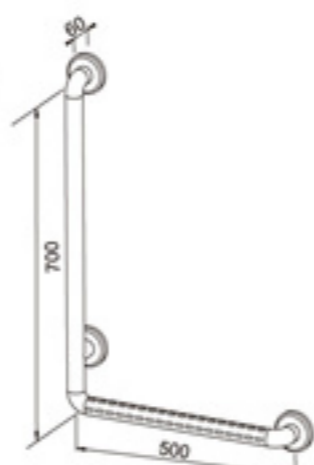
ZL-A02
90°扶手

主要材料: 尼龙和不锈钢管复合
尼龙颜色: 白色、黄色
main material:
compounding of nylon and stainless steel
color of nylon:white,yellow



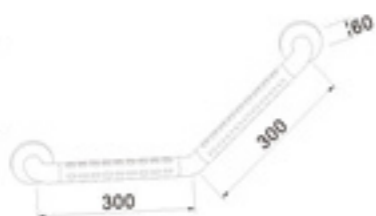
ZL-A03
L型扶手

主要材料: 尼龙和不锈钢管复合
尼龙颜色: 白色、黄色
main material:
compounding of nylon and stainless steel
color of nylon:white,yellow



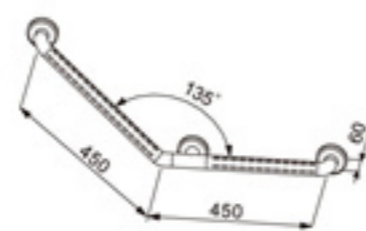
ZL-A04
135°扶手

主要材料: 尼龙和不锈钢管复合
尼龙颜色: 白色、黄色
main material:
compounding of nylon and stainless steel
color of nylon:white,yellow



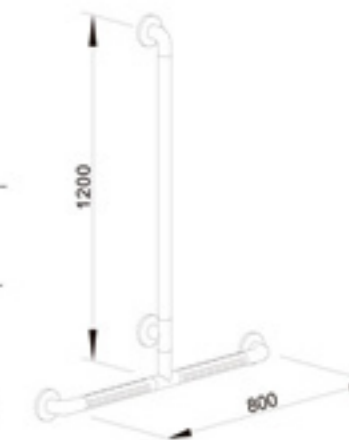
ZL-A05
135°扶手

主要材料: 尼龙和不锈钢管复合
尼龙颜色: 白色、黄色
main material:
compounding of nylon and stainless steel
color of nylon:white,yellow



ZL-A103
T型淋浴扶手

主要材料: 尼龙和不锈钢管复合
尼龙颜色: 白色、黄色
main material:
compounding of nylon and stainless steel
color of nylon:white,yellow



淋浴间设计规范
淋浴间应设距地面700mm的水平抓杆和高1.4m~1.6m的垂直抓杆

Design Specification for Shower Rooms
The shower room should be set at a distance from the ground 700mm horizontal grab bar and vertical grab bar with a height of 1.4m~1.6m

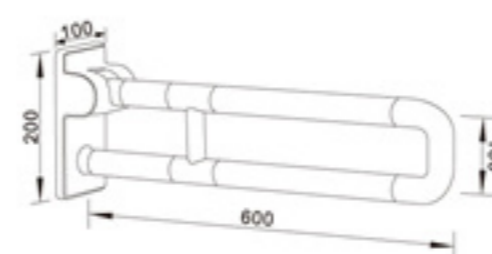
**FOLDING UP
GRAB BAR SERIES**
上翻U型扶手



ZL-A38
上翻U型扶手

主要材料：尼龙和不锈钢管复合
尼龙颜色：白色、黄色

Main material:
compounding of nylon and stainless steel
color of nylon:white, yellow



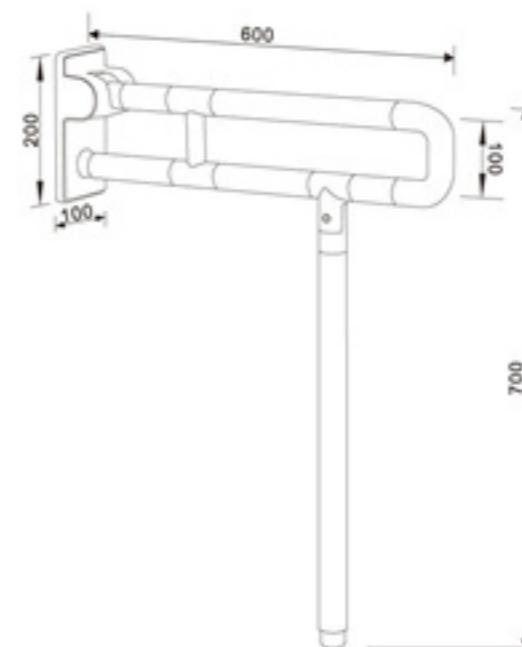
隐形螺丝孔设计

装饰盖卡扣设计

ZL-A39
上翻带支撑扶手

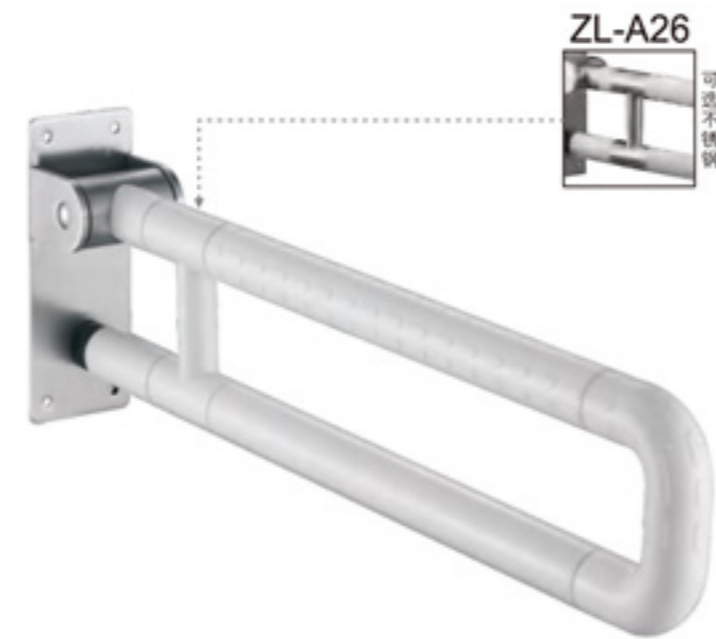
主要材料：尼龙和不锈钢管复合
尼龙颜色：白色、黄色

Main material:
compounding of nylon and stainless steel
color of nylon:white, yellow



隐形螺丝孔设计

卡扣自锁设计

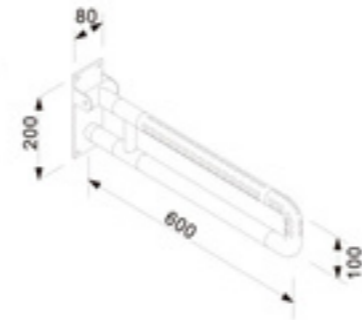


ZL-A26

可选不锈钢

ZL-A25
上翻U型扶手

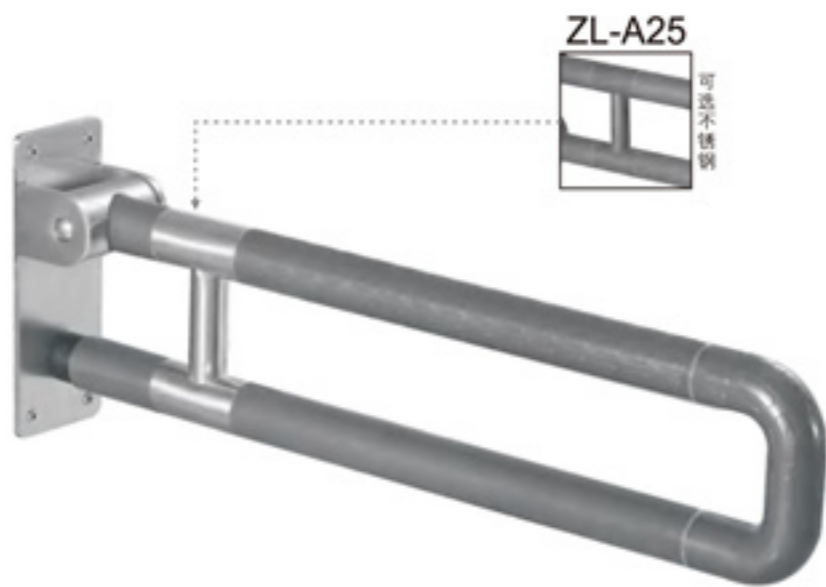
主要材料: 尼龙和不锈钢管复合
尼龙颜色: 白色、黄色
main material:
compounding of nylon and stainless steel
color of nylon: white, yellow



ZL-A29
上翻U型扶手

主要材料: 尼龙和不锈钢管复合
尼龙颜色: 白色、黄色

main material:
compounding of nylon and stainless steel
color of nylon: white, yellow

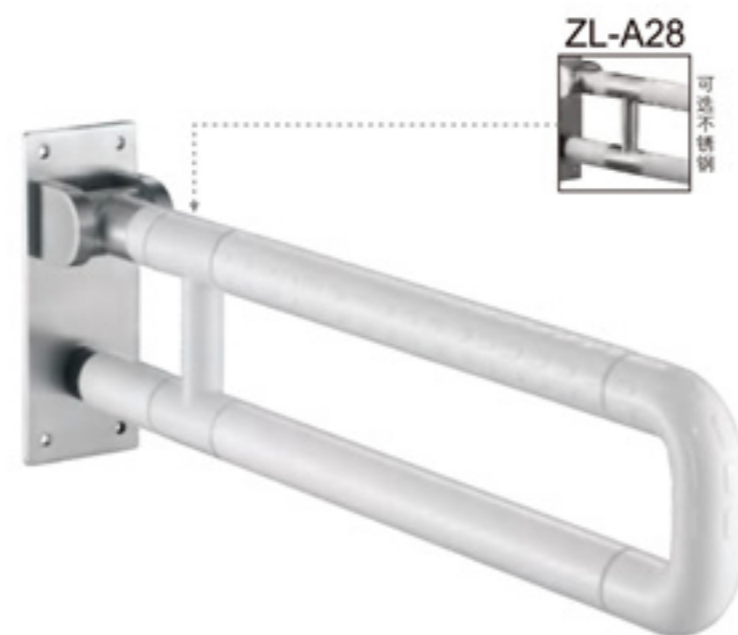
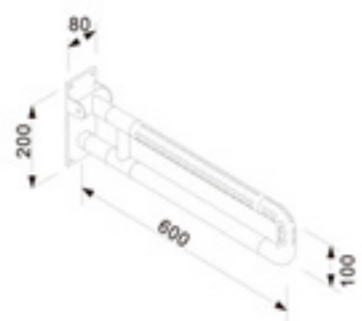


ZL-A25

可选不锈钢

ZL-A26
上翻U型扶手

主要材料: 尼龙和不锈钢管复合
尼龙颜色: 灰色、白色、黄色
Main material:
compounding of nylon and stainless steel
color of nylon: grey, white, yellow

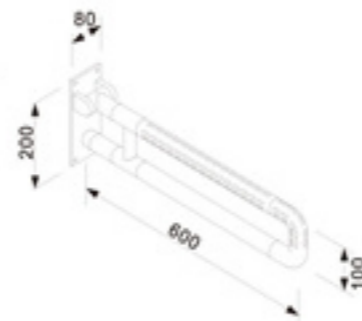


ZL-A28

可选不锈钢

ZL-A27
上翻U型扶手

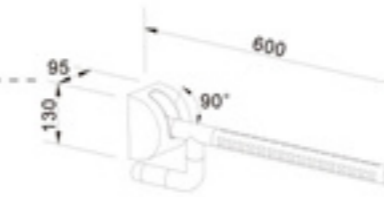
主要材料: 尼龙和不锈钢管复合
尼龙颜色: 灰色、白色、黄色
Main material:
compounding of nylon and stainless steel
color of nylon: grey, white, yellow



ZL-A37
单杆上翻扶手

主要材料: 尼龙和不锈钢管复合
尼龙颜色: 白色、黄色

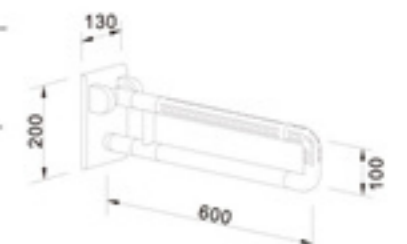
main material:
compounding of nylon and stainless steel
color of nylon: white, yellow



ZL-A31
上翻U型扶手

主要材料: 尼龙和不锈钢管复合
尼龙颜色: 白色、黄色

main material:
compounding of nylon and stainless steel
color of nylon: white, yellow





上翻U型扶手
FOLDING UP
GRAB BAR

无障碍厕位设计规范
CODE FOR DESIGN OF ACCESSIBLE TOILET SPACES

厕位两侧距地面700mm应设长度
不小于600mm的水平安全抓杆
A length of 700mm should be set on both sides of the toilet
seat from the ground. Horizontal safety grab bar not less than
600mm





坐便器扶手系列
TOILET HANDRAIL
SERIES



ZL-A20
U型扶手

主要材料：尼龙和不锈钢管复合
尼龙颜色：白色、黄色
main material:
compounding of nylon and stainless steel
color of nylon:white,yellow



ZL-A21
U型扶手

主要材料：尼龙和不锈钢管复合
尼龙颜色：白色、黄色
main material:
compounding of nylon and stainless steel
color of nylon:white,yellow



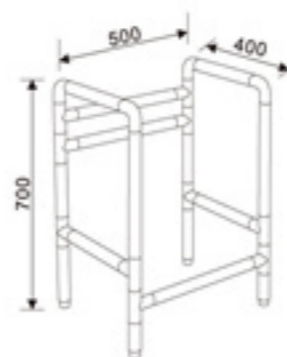
ZL-A59
落地坐便器扶手

主要材料：尼龙和不锈钢管复合
尼龙颜色：白色、黄色
main material:
compounding of nylon and stainless steel
color of nylon:white,yellow



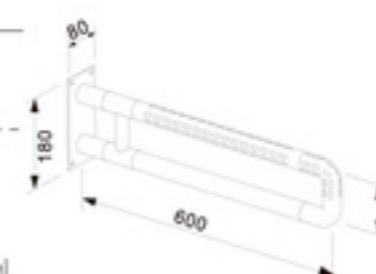
ZL-A68
移动坐便器起身扶手

主要材料：尼龙和不锈钢管复合
尼龙颜色：白色、黄色
main material:
compounding of nylon and stainless steel
color of nylon:white,yellow



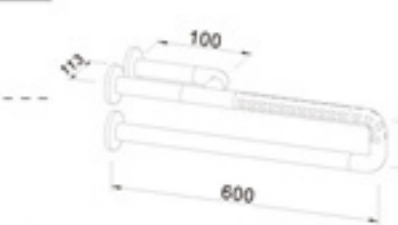
ZL-A23
U型扶手

主要材料：尼龙和不锈钢管复合
尼龙颜色：白色、黄色
main material:
compounding of nylon and stainless steel
color of nylon:white,yellow



ZL-A71
U型扶手

主要材料：尼龙和不锈钢管复合
尼龙颜色：白色、黄色
main material:
compounding of nylon and stainless steel
color of nylon:white,yellow





ZL-A49
落地T型扶手

主要材料：尼龙和不锈钢管复合
尼龙颜色：白色、黄色
main material:
compounding of nylon and stainless steel
color of nylon:white,yellow



ZL-A51
落地U型扶手

主要材料：尼龙和不锈钢管复合
尼龙颜色：白色、黄色
main material:
compounding of nylon and stainless steel
color of nylon:white,yellow



ZL-A54
落地U型扶手

主要材料：尼龙和不锈钢管复合
尼龙颜色：白色、黄色
main material:
compounding of nylon and stainless steel
color of nylon:white,yellow



ZL-A56
落地U型扶手

主要材料：尼龙和不锈钢管复合
尼龙颜色：白色、黄色
main material:
compounding of nylon and stainless steel
color of nylon:white,yellow



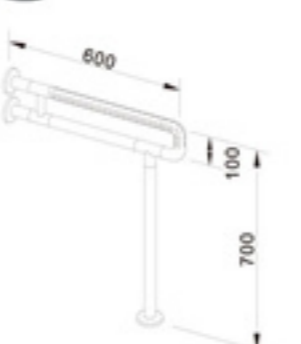
ZL-A52
落地U型扶手

主要材料：尼龙和不锈钢管复合
尼龙颜色：白色、黄色
main material:
compounding of nylon and stainless steel
color of nylon:white,yellow



ZL-A52
落地U型扶手

主要材料：尼龙和不锈钢管复合
尼龙颜色：灰色
main material:
compounding of nylon and stainless steel
color of nylon:grey



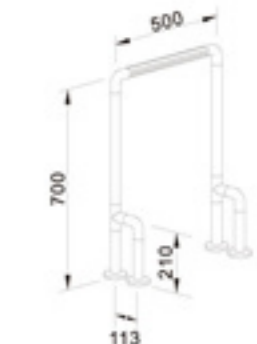
ZL-A57
落地坐便器扶手

主要材料：尼龙和不锈钢管复合
尼龙颜色：白色、黄色
main material:
compounding of nylon and stainless steel
color of nylon:white,yellow



ZL-A58
落地坐便器扶手

主要材料：尼龙和不锈钢管复合
尼龙颜色：白色、黄色
main material:
compounding of nylon and stainless steel
color of nylon:white,yellow



小便器扶手系列
URINAL HANDRAIL
SERIES



U型握手

舒适的防滑颗粒

COMFORTABLE NON
SLIP PARTICLES

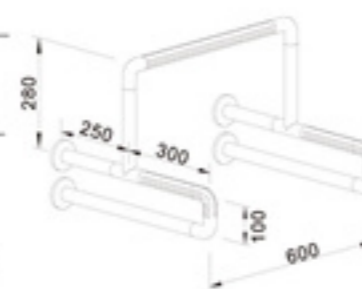


ZL-A60

挂式小便器扶手

主要材料: 尼龙和不锈钢管复合
尼龙颜色: 白色、黄色

main material:
compounding of nylon and stainless steel
color of nylon:white,yellow

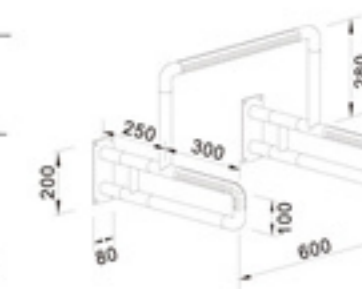


ZL-A62

挂式小便器扶手

主要材料: 尼龙和不锈钢管复合
尼龙颜色: 白色、黄色

main material:
compounding of nylon and stainless steel
color of nylon:white,yellow



ZL-A63

落地小便器扶手

主要材料: 尼龙和不锈钢管复合
尼龙颜色: 白色、黄色

main material:
compounding of nylon and stainless steel
color of nylon:white,yellow

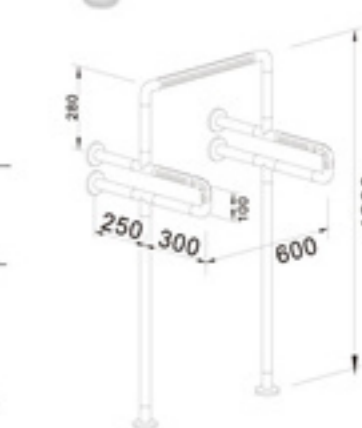


ZL-A65

落地小便器扶手

主要材料: 尼龙和不锈钢管复合
尼龙颜色: 白色、黄色

main material:
compounding of nylon and stainless steel
color of nylon:white,yellow



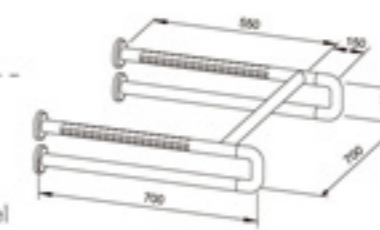
**WASH BASIN
HANDRAIL SERIES**
洗手盆扶手系列



ZL-A72
洗手盆扶手

主要材料: 尼龙和不锈钢管复合
尼龙颜色: 白色、黄色

main material:
compounding of nylon and stainless steel
color of nylon:white,yellow



ZL-A77
洗手盆扶手

主要材料: 尼龙和不锈钢管复合
尼龙颜色: 白色、黄色

main material:
compounding of nylon and stainless steel
color of nylon:white,yellow



ZL-A73
洗手盆扶手

主要材料: 尼龙和不锈钢管复合
尼龙颜色: 白色、黄色

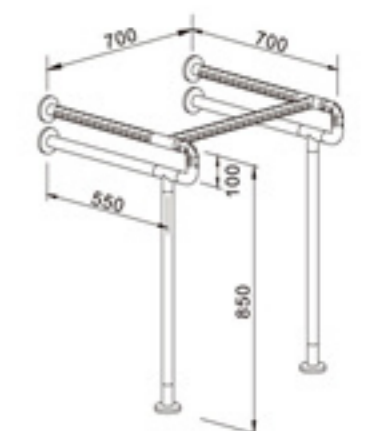
main material:
compounding of nylon and stainless steel
color of nylon:white,yellow



ZL-A78
洗手盆扶手

主要材料: 尼龙和不锈钢管复合
尼龙颜色: 白色、黄色

main material:
compounding of nylon and stainless steel
color of nylon:white,yellow



Wash basin SERIES

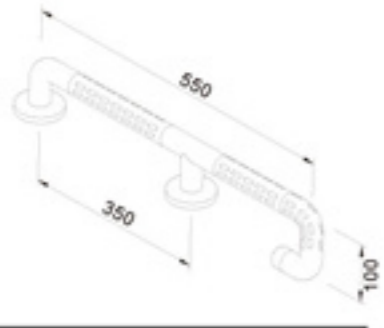
台盆扶手系列

ZL-A74

洗手盆扶手

主要材料: 尼龙和不锈钢管复合
尼龙颜色: 白色、黄色

main material:
compounding of nylon and stainless steel
color of nylon:white,yellow

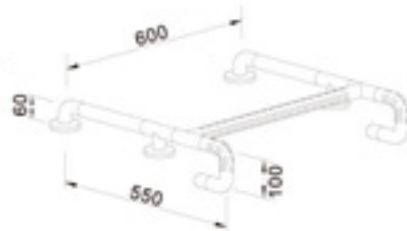


ZL-A75

洗手盆扶手

主要材料: 尼龙和不锈钢管复合
尼龙颜色: 白色、黄色

main material:
compounding of nylon and stainless steel
color of nylon:white,yellow

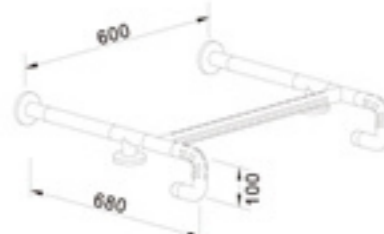


ZL-A76

洗手盆扶手

主要材料: 尼龙和不锈钢管复合
尼龙颜色: 白色、黄色

main material:
compounding of nylon and stainless steel
color of nylon:white,yellow



CONTRACTED STYLE

Adopting simple lines and smooth curved design,The spray molding process is integrated with the 304 primary color.

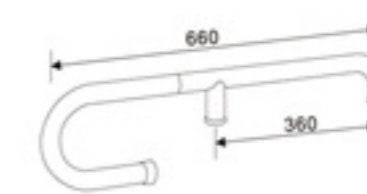
采用简约的线条和流畅的弧形设计,烤漆工艺与304原色相融合。

ZL-C74

台盆扶手

主要材料: 不锈钢304
表面处理: 砂光、镜光+烤漆

Main material: 304 stainless steel
Surface treatment:
polished finished satin finished+baking varnish



ANTBIOSIS
NYLON SHOWER SEAT SERIES
 抗菌尼龙淋浴凳系列

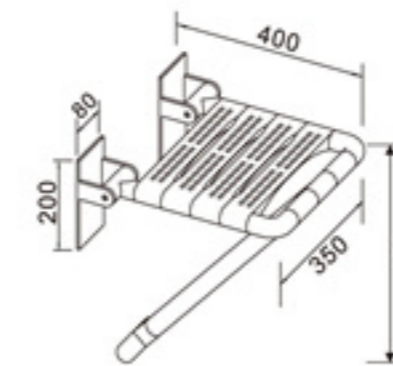


BARRIER-FREE
 FACILITIES

ZL-B06
 上翻淋浴凳

主要材料：尼龙和不锈钢管复合
 尼龙颜色：白色、黄色

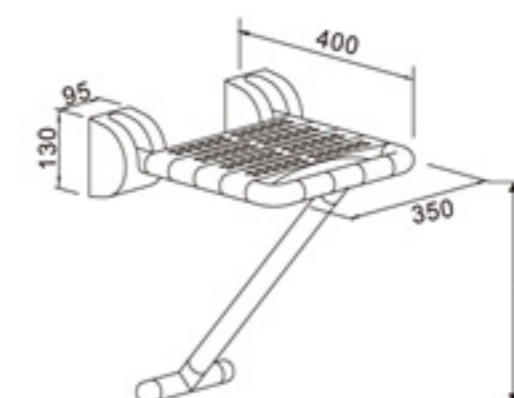
Main material:
 compounding of nylon and stainless steel
 color of nylon:white, yellow



ZL-B07
 上翻淋浴凳

主要材料：尼龙和不锈钢管复合
 尼龙颜色：白色、黄色

Main material:
 compounding of nylon and stainless steel
 color of nylon:white, yellow



Shower seat SERIES
抗菌尼龙淋浴凳系列



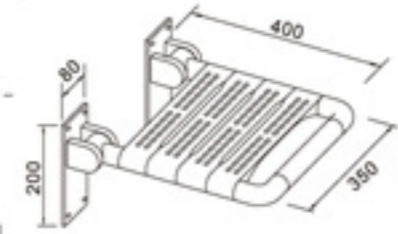
ZL-B20
上翻壁椅

主要材料: 铝合金+ABS
尼龙颜色: 白色、黄色
main material:
Aluminum alloy+ABS
color of nylon:white,yellow



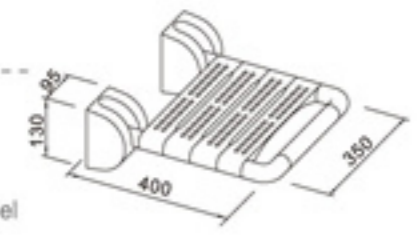
ZL-B02
上翻淋浴凳

主要材料: 尼龙和不锈钢管复合
尼龙颜色: 白色、黄色
main material:
compounding of nylon and stainless steel
color of nylon:white,yellow



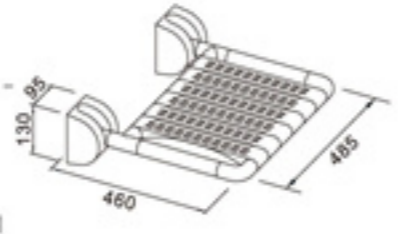
ZL-B03
上翻淋浴凳

主要材料: 尼龙和不锈钢管复合
尼龙颜色: 白色、黄色
main material:
compounding of nylon and stainless steel
color of nylon:white,yellow



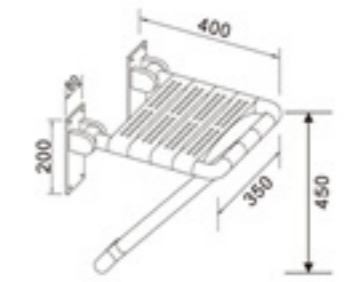
ZL-B04
上翻淋浴凳

主要材料: 尼龙和不锈钢管复合
尼龙颜色: 白色、黄色
main material:
compounding of nylon and stainless steel
color of nylon:white,yellow



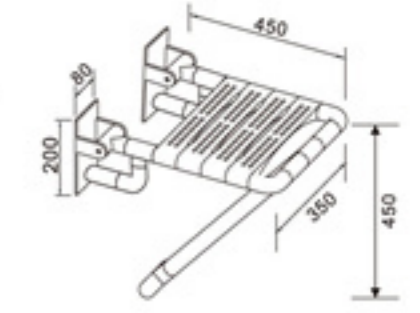
ZL-B09
上翻淋浴凳

主要材料: 尼龙和不锈钢管复合
尼龙颜色: 白色、黄色
main material:
compounding of nylon and stainless steel
color of nylon:white,yellow



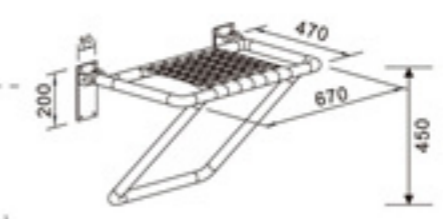
ZL-B18
上翻淋浴凳

主要材料: 尼龙和不锈钢管复合
尼龙颜色: 白色、黄色
main material:
compounding of nylon and stainless steel
color of nylon:white,yellow



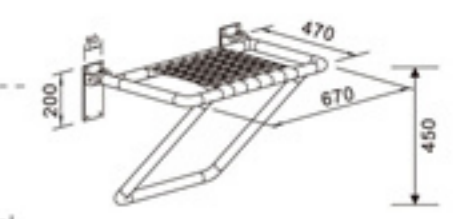
ZL-B10
带平衡上翻淋浴凳

主要材料: 尼龙和不锈钢管复合
尼龙颜色: 白色、黄色
main material:
compounding of nylon and stainless steel
color of nylon:white,yellow



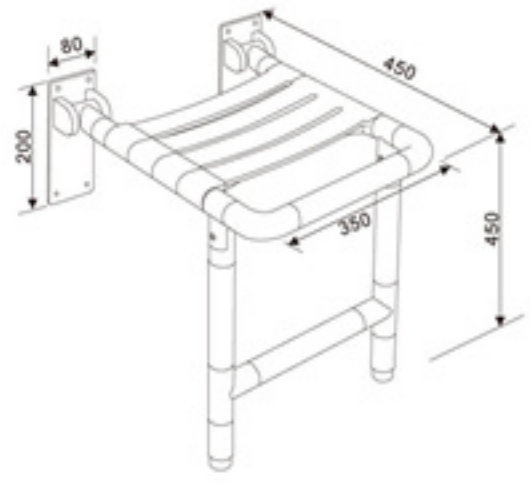
ZL-B11
带平衡上翻淋浴凳

主要材料: 尼龙和不锈钢管复合
尼龙颜色: 白色、黄色
main material:
compounding of nylon and stainless steel
color of nylon:white,yellow



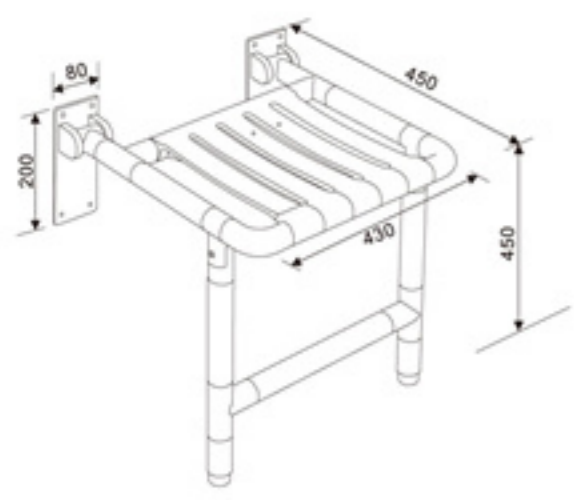
ZL-B23
 上翻淋浴凳

主要材料: 尼龙和不锈钢管复合
 尼龙颜色: 白色、黄色
 Main material:
 compounding of nylon and stainless steel
 color of nylon:white, yellow



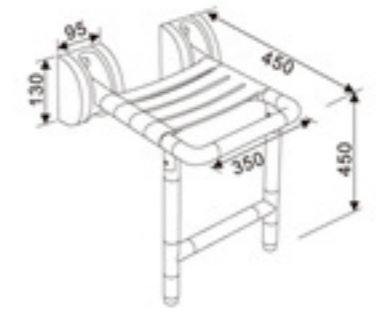
ZL-B25
 带平衡上翻淋浴凳

主要材料: 尼龙和不锈钢管复合
 尼龙颜色: 白色、黄色
 Main material:
 compounding of nylon and stainless steel
 color of nylon:white, yellow



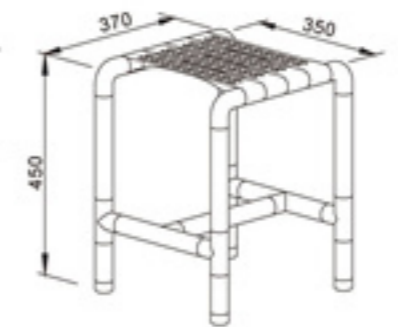
ZL-B21
 上翻淋浴凳

主要材料: 尼龙和不锈钢管复合
 尼龙颜色: 白色、黄色
 main material:
 compounding of nylon and stainless steel
 color of nylon:white,yellow



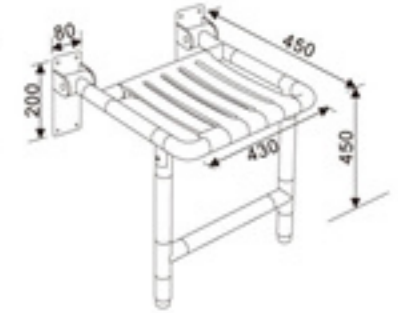
ZL-B15
 淋浴凳

主要材料: 尼龙和不锈钢管复合
 尼龙颜色: 白色、黄色
 main material:
 compounding of nylon and stainless steel
 color of nylon:white,yellow



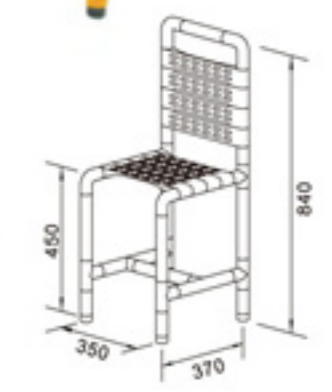
ZL-B24
 带平衡上翻淋浴凳

主要材料: 尼龙和不锈钢管复合
 尼龙颜色: 白色、黄色
 main material:
 compounding of nylon and stainless steel
 color of nylon:white,yellow



ZL-B16
 淋浴凳

主要材料: 尼龙和不锈钢管复合
 尼龙颜色: 白色、黄色
 main material:
 compounding of nylon and stainless steel
 color of nylon:white,yellow





ZL-B9013
铝合金洗澡椅

主要材料: 铝合金
产品尺寸: 长49X宽43X高68~81cm 座高38~51cm
产品特点: ① 主架采用1.25MM厚度优质铝材
② 免工具安装
③ 6挡高度调节
④ 加大吸盘脚垫防滑设计



ZL-B9016
铝合金洗澡椅

主要材料: 铝合金
产品尺寸: 长49X宽43X高68~81cm 座高38~51cm
产品特点: ① 主架采用1.25MM厚度优质铝材
② 免工具安装
③ 6挡高度调节
④ 加大吸盘脚垫防滑设计



ZL-B9018
铝合金洗澡椅

主要材料: 铝合金
产品尺寸: 长52X宽48X高67~77cm 座高34~44cm
产品特点: ① 主架采用1.25MM厚度优质铝材
② 免工具安装
③ 6挡高度调节
④ 加大吸盘脚垫防滑设计



ZL-B9025
铝合金洗澡椅

主要材料: 铝合金
产品尺寸: 长51X宽50X座宽40CM 座高45~54CM
产品特点: ① 铝合金管壁厚1.25MM,脚管直径28.6MM
② 免工具安装式设计
③ 5挡高度可调
④ 加厚防滑脚垫设计



ZL-B9019
铝合金洗澡椅

主要材料: 铝合金
产品尺寸: 长52X宽48X高67~77cm 座高34~44cm
产品特点: ① 主架采用1.25MM厚度优质铝材
② 免工具安装
③ 6挡高度调节
④ 加大吸盘脚垫防滑设计

Focus on safety handrails



D01-镜光白
THE BEST MATERIAL
IS CAST WITH INGENUITY



正亮

FINIO[®]
[SAFETY HANDRAIL]
[www.finio.cn]

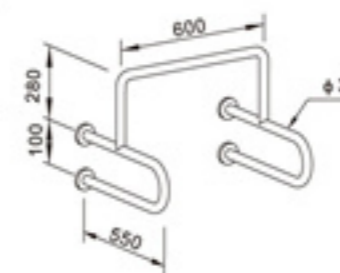
Stainless SERIES
复合不锈钢扶手系列



ZL-D60
复合小便器扶手

主要材料: 不锈钢304+ABS
表面处理: 镜光砂光

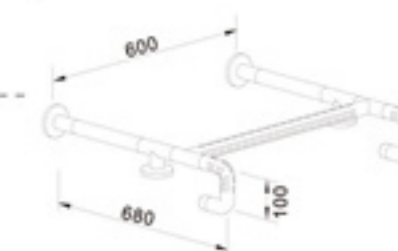
main material: 304 stainless steel
surface treatment: polish finished,
satin finished



ZL-D76
复合台盆扶手

主要材料: 不锈钢304+ABS
表面处理: 镜光砂光

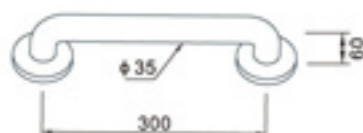
main material: 304 stainless steel
surface treatment: polish finished,
satin finished



ZL-D01
复合一字型扶手

主要材料: 不锈钢304+ABS
表面处理: 镜光砂光

main material: 304 stainless steel
surface treatment: polish finished,
satin finished



ZL-D03
复合L型扶手

主要材料: 不锈钢304+ABS
表面处理: 镜光砂光

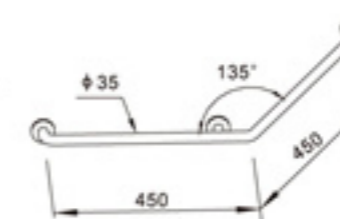
main material: 304 stainless steel
surface treatment: polish finished,
satin finished



ZL-D05
复合135°扶手

主要材料: 不锈钢304+ABS
表面处理: 镜光砂光

main material: 304 stainless steel
surface treatment: polish finished,
satin finished



ZL-D67
复合F型小便器扶手

主要材料: 不锈钢304+ABS
表面处理: 镜光砂光

main material: 304 stainless steel
surface treatment: polish finished,
satin finished



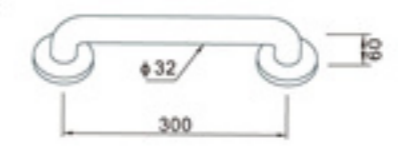
**STAINLESS STEEL
HANDRAIL SERIES**
不锈钢扶手系列



ZL-C01
一字型扶手

主要材料: 不锈钢 304
表面处理: 镜光 砂光

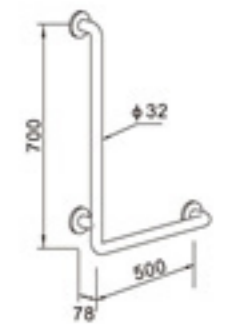
main material: 304 stainless steel
surface treatment: polish finished,
satin finished



ZL-C03
L型扶手

主要材料: 不锈钢 304
表面处理: 镜光 砂光

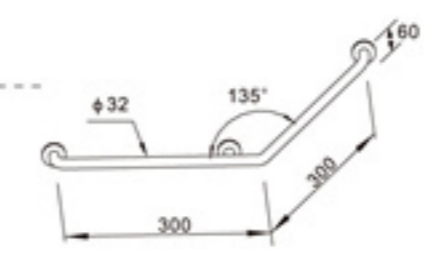
main material: 304 stainless steel
surface treatment: polish finished,
satin finished



ZL-C04
135° 拉手

主要材料: 不锈钢 304
表面处理: 镜光 砂光

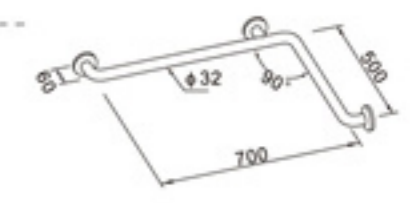
main material: 304 stainless steel
surface treatment: polish finished,
satin finished



ZL-C08
转角扶手

主要材料: 不锈钢 304
表面处理: 镜光 砂光

main material: 304 stainless steel
surface treatment: polish finished,
satin finished



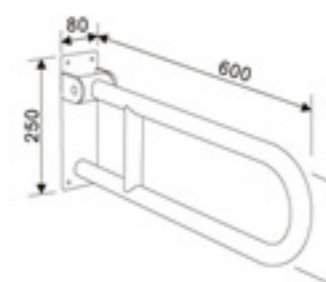
NATURAL



ZL-C25
上翻U型扶手

主要材料：不锈钢304
表面处理：镜光砂光

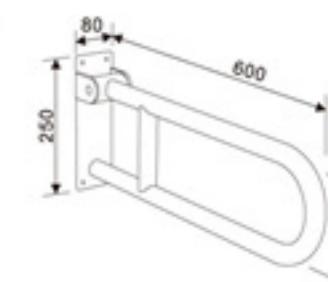
main material: 304 stainless steel
surface treatment: polish finished,
satin finished



ZL-C25
上翻U型扶手

主要材料：不锈钢304
表面处理：黑色喷漆

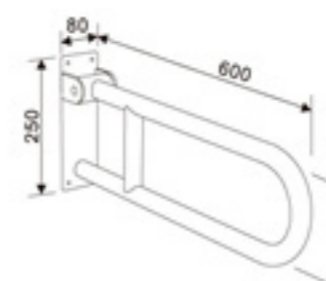
main material: 304 stainless steel
surface treatment: black spray paint



ZL-C26
上翻U型扶手

主要材料：不锈钢304
表面处理：镜光砂光

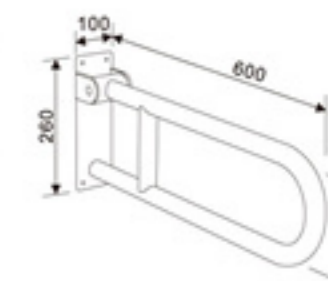
main material: 304 stainless steel
surface treatment: polish finished,
satin finished



ZL-C28
上翻U型扶手

主要材料：不锈钢304
表面处理：镜光砂光

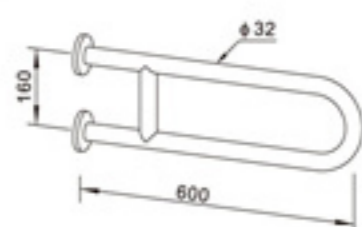
main material: 304 stainless steel
surface treatment: polish finished,
satin finished



ZL-C21
U型扶手

主要材料：不锈钢304
表面处理：镜光砂光

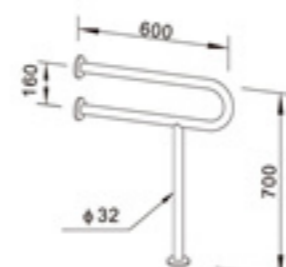
main material: 304 stainless steel
surface treatment: polish finished,
satin finished

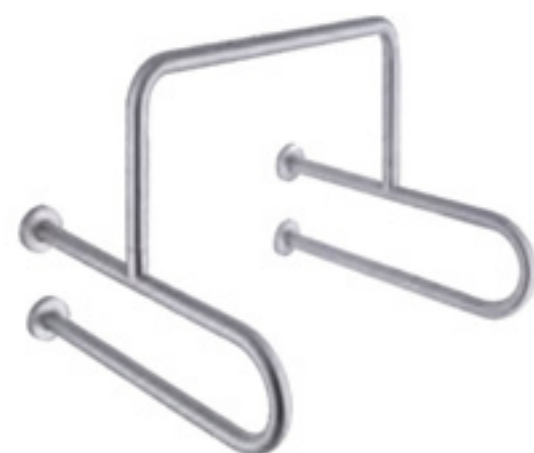


ZL-C51
落地U型扶手

主要材料：不锈钢304
表面处理：镜光砂光

main material: 304 stainless steel
surface treatment: polish finished,
satin finished

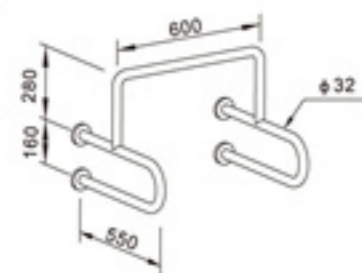




ZL-C60
小便器扶手

主要材料: 不锈钢304
表面处理: 镜光砂光

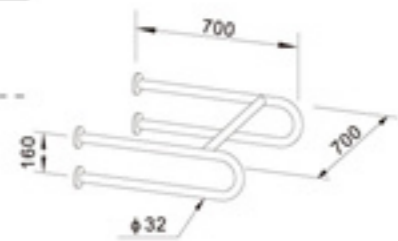
main material: 304 stainless steel
surface treatment: polish finished,
satin finished



ZL-C72
洗手盆扶手

主要材料: 不锈钢304
表面处理: 镜光砂光

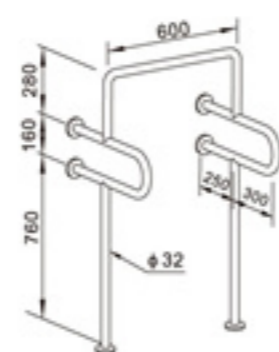
main material: 304 stainless steel
surface treatment: polish finished,
satin finished



ZL-C65
落地小便器扶手

主要材料: 不锈钢304
表面处理: 镜光砂光

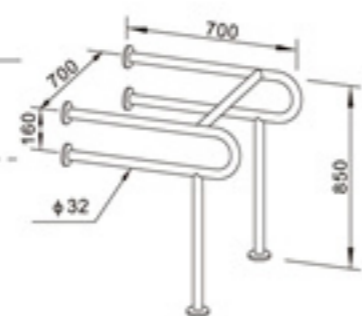
main material: 304 stainless steel
surface treatment: polish finished,
satin finished



ZL-C78
落地洗手盆扶手

主要材料: 不锈钢304
表面处理: 镜光砂光

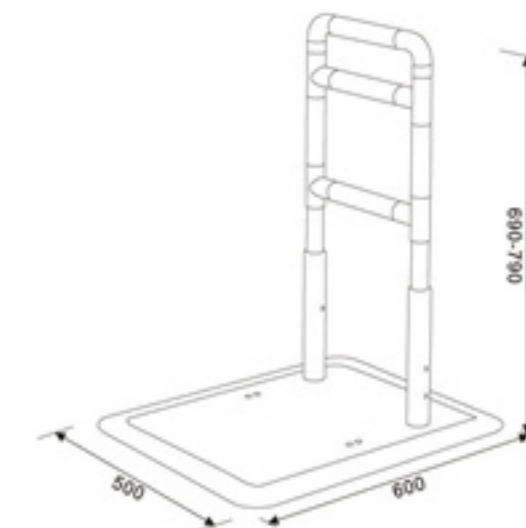
main material: 304 stainless steel
surface treatment: polish finished,
satin finished



ZL-B50
床边扶手

主要材料: 尼龙和不锈钢管复合
尼龙颜色: 白色、黄色

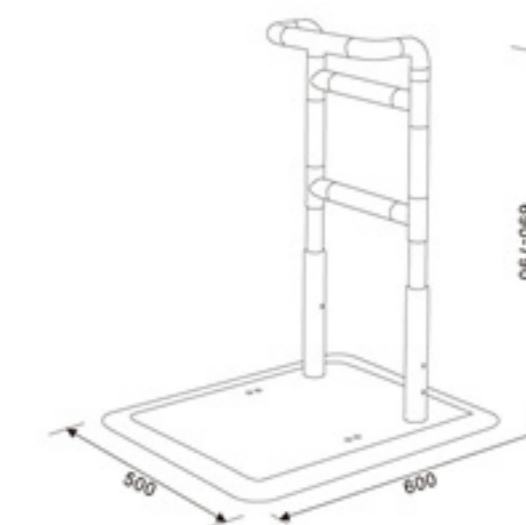
Main material:
compounding of nylon and stainless steel
color of nylon:white, yellow



ZL-B51
床边扶手

主要材料: 尼龙和不锈钢管复合
尼龙颜色: 白色、黄色

Main material:
compounding of nylon and stainless steel
color of nylon:white, yellow





19B-101
婴儿护理座椅

规格: L340*W340*H510



19B-102
婴儿护理台

规格: L865*W580*H390



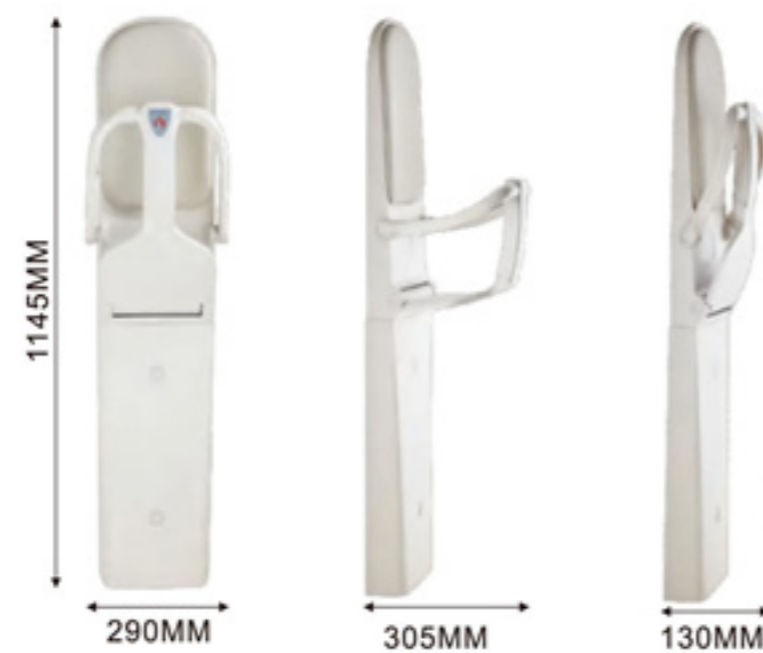
19B-103
婴儿护理座椅短款

承重范围 (Bearing) 30kg
材质 (Material) HDPE



19B-104
婴儿护理座椅长款

承重范围 (Bearing) 30kg
材质 (Material) HDPE



BABY
CHANGING
STATION
婴儿护理台系列



承重范围 (Bearing) 20kg
材质 (Material) PE
尺寸 (Dimensions) W650*D540*H480

19B-105
婴儿护理台



承重范围 (Bearing) 20kg
材质 (Material) PE
尺寸 (Dimensions) W820*D540*H480

19B-106
婴儿护理台



承重范围 (Bearing) 20kg
材质 (Material) PE
尺寸 (Dimensions) W310*D345*H510

19B-107
婴儿护理座椅



承重范围 (Bearing) 20kg
材质 (Material) PE
尺寸 (Dimensions) L860*W290*H605

19B-108
婴儿护理台



承重范围 (Bearing) 20kg
材质 (Material) PE
尺寸 (Dimensions) L860*W290*H605

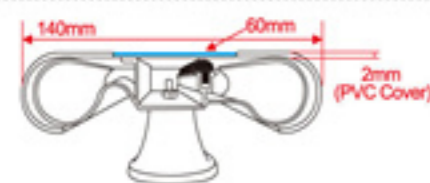
19B-109
婴儿护理台

※此系列有多种颜色可供选择
There are many colors to choose from in this collection



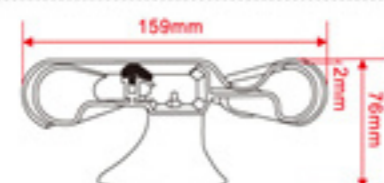
19D-101

铝材厚度 (mm)
(Aluminum Thickness) 1.2/1.4/1.6/1.8
材质 (Material) PVC面板+普通铝材
PVC panel + ordinary aluminum
规格 (Size) 4000*140



19D-102

铝材厚度 (mm)
(Aluminum Thickness) 1.4/1.5/1.8
材质 (Material) PVC面板+普通铝材
PVC panel + ordinary aluminum
规格 (Size) 4000*159



19D-104

铝材厚度 (mm)
(Aluminum Thickness) 1.4/1.5/1.8
材质 (Material) PVC面板+普通铝材
PVC panel + ordinary aluminum
规格 (Size) 4000*89



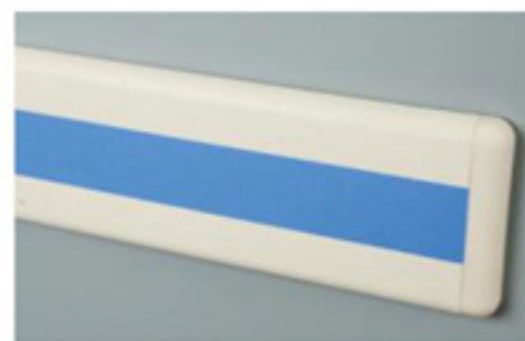
19D-105

铝材厚度 (mm)
(Aluminum Thickness) 1.6
材质 (Material) PVC面板+普通铝材
PVC panel + ordinary aluminum
规格 (Size) 4000*38



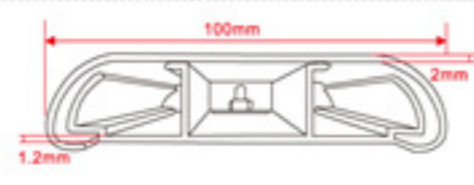
19D-110

铝材厚度 (mm)
(Aluminum Thickness) 1.9
材质 (Material) PVC面板+普通铝材+锌合金支架
PVC panel + ordinary aluminum + Zinc alloy bracket
规格 (Size) 4000*35



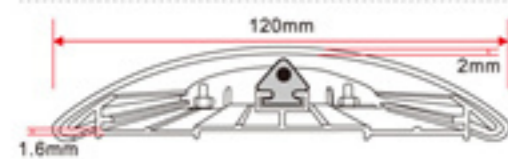
19D-202

铝材厚度 (mm)
(Aluminum Thickness) 1.2
材质 (Material) PVC面板+普通铝材
PVC panel + ordinary aluminum
规格 (Size) 4000*100



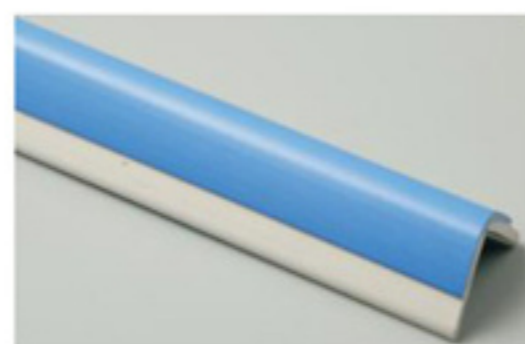
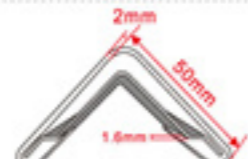
19D-203

铝材厚度 (mm)
(Aluminum Thickness) 1.6
材质 (Material) PVC面板+普通铝材
PVC panel + ordinary aluminum
规格 (Size) 4000*120



19D-303

边宽 (Side width) 50*50mm/76*76mm
边长 (Side length) 3m/支
弯角角度 (Corner angle) 90°



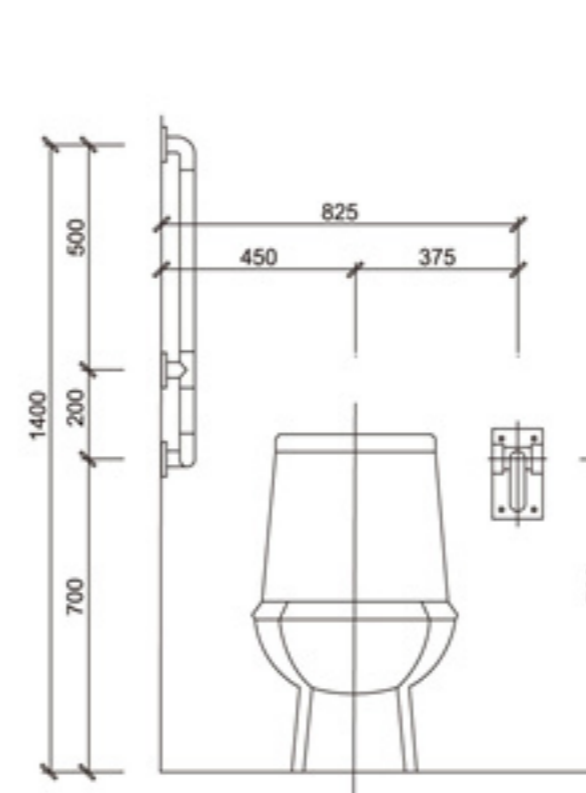
19D-304

边宽 (Side width) 35*35mm/50*50mm
边长 (Side length) 3m/支
弯角角度 (Corner angle) 90°

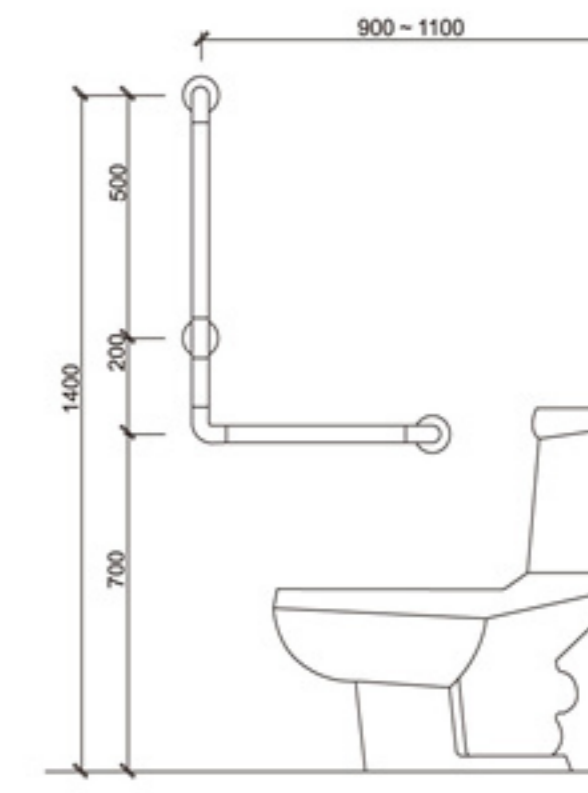


扶手安装示范工程图

INSTALL THE DEMONSTRATION PROJECT DIAGRAM

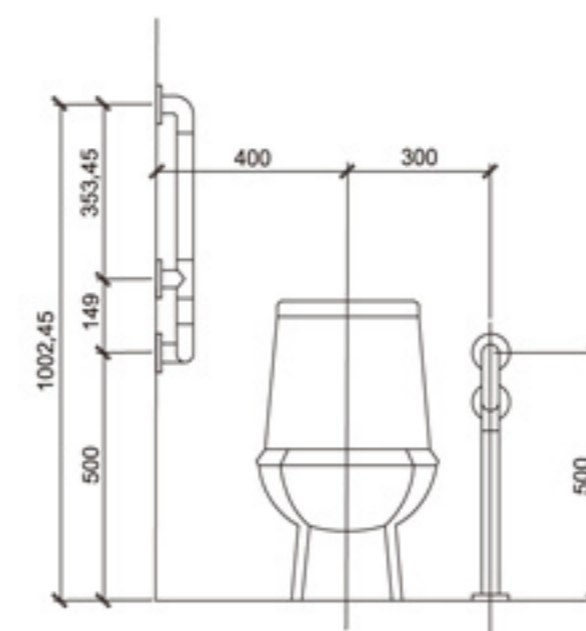


正立面

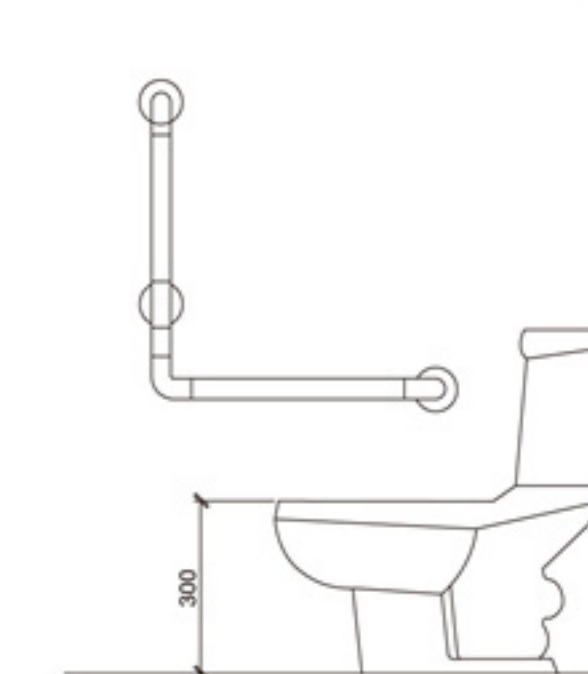


侧立面

成人无障碍安装图



正立面

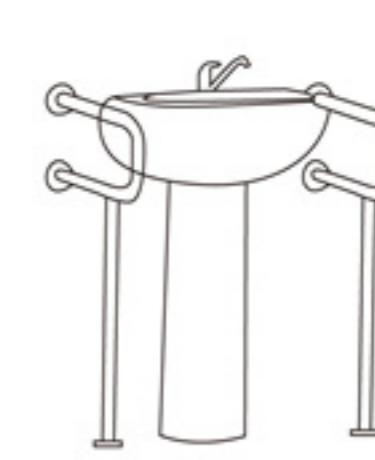


侧立面

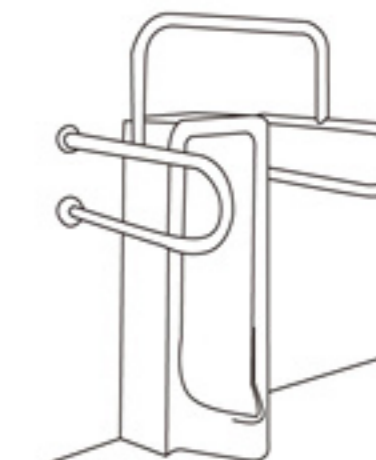
儿童无障碍安装图



1



2



3

此安装图仅供参考